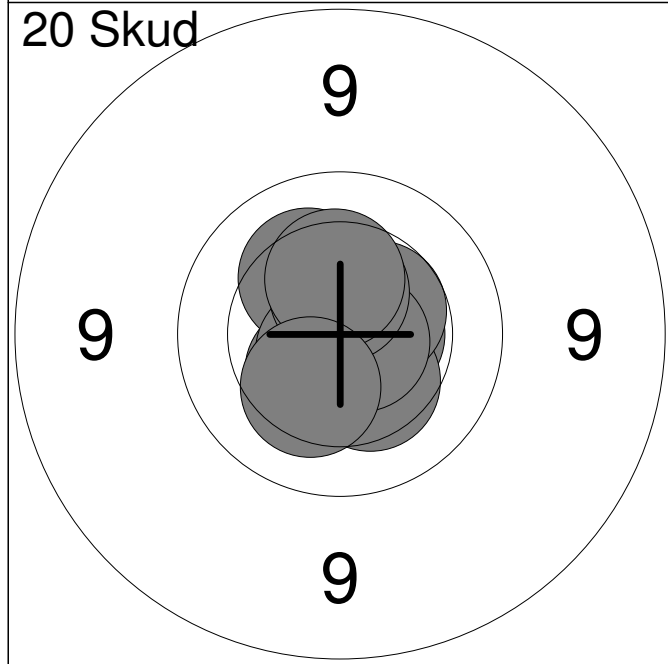
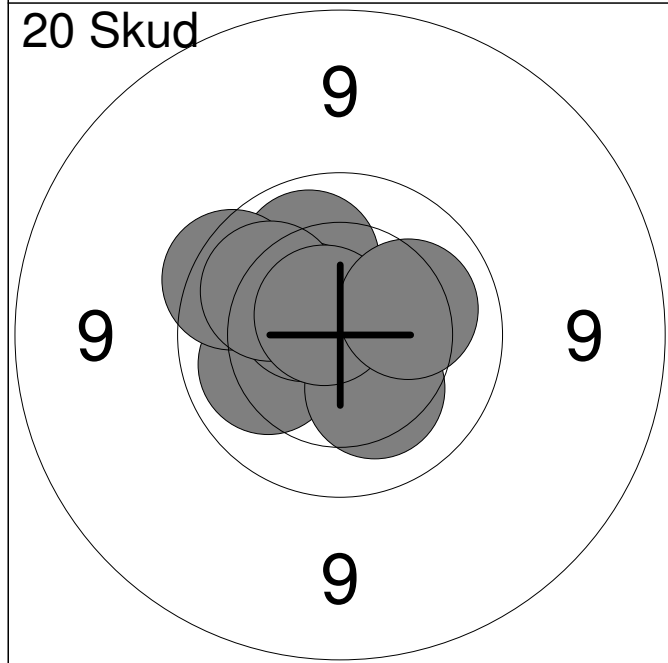


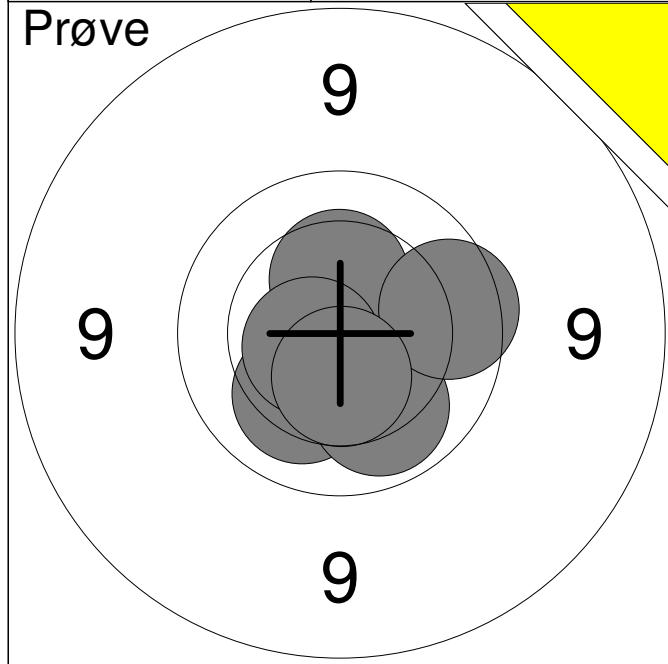
1:	*10.8	↘
2:	10.3	↗
3:	10.3	→
4:	*10.7	↙
5:	*10.7	↗
Serie		50.0
Total		0.0



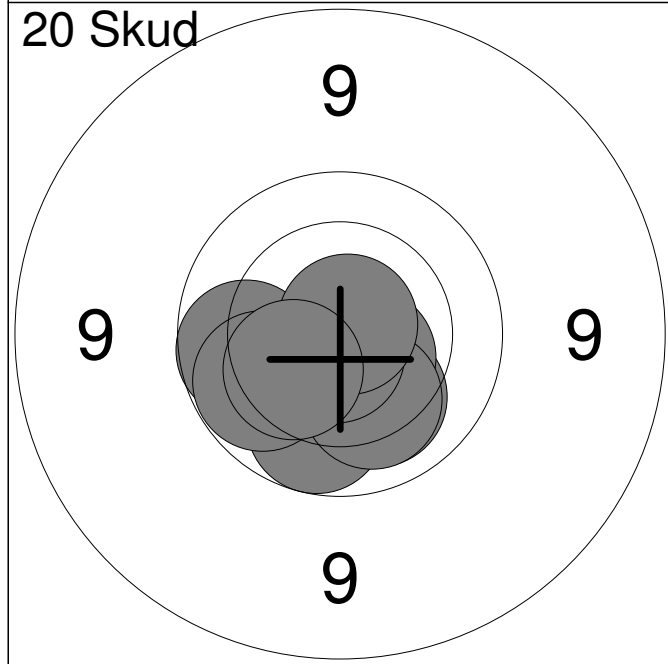
1:	*10.6	→
2:	10.5	↙
3:	10.3	↗
4:	*10.7	↙
5:	10.4	↘
6:	10.5	↗
7:	*10.7	→
8:	*10.5	↑
9:	10.3	↑
10:	10.3	↙
Serie		100.0
Total		100.0



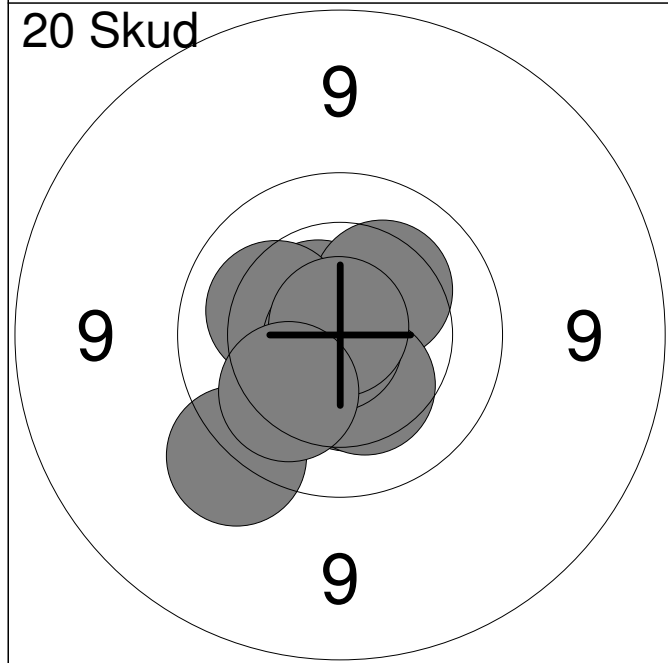
11:	*10.6	↗
12:	10.1	↙
13:	*10.6	→
14:	10.1	↗
15:	*10.5	↗
16:	9.8	↗
17:	10.3	↘
18:	10.1	↗
19:	*10.7	↗
20:	10.2	→
Serie		99.0
Total		199.0



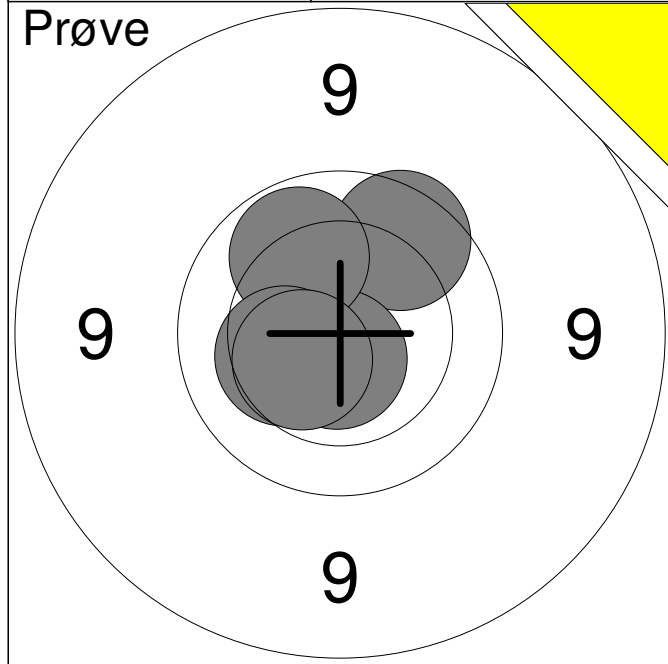
1:	10.4	↑
2:	10.2	↙
3:	10.1	↘
4:	*10.6	↖
5:	9.8	→
6:	10.5	↓
Serie		59.0
Total		0.0



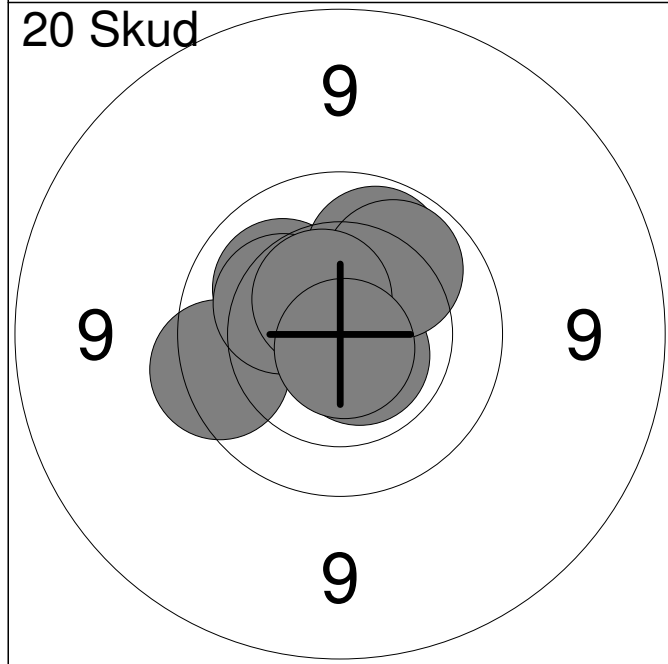
1:	9.9	←
2:	10.2	↘
3:	*10.6	↘
4:	10.0	↘
5:	10.2	↘
6:	10.0	↖
7:	*10.8	↘
8:	*10.7	↘
9:	*10.8	↗
10:	10.3	↖
Serie		99.0
Total		99.0



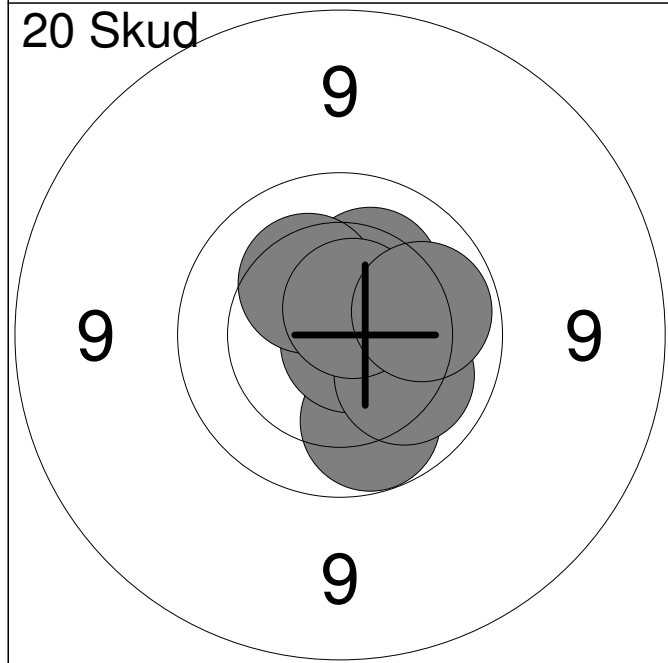
11:	9.5	↘
12:	*10.6	↗
13:	10.3	↗
14:	10.4	↘
15:	*10.8	↘
16:	10.3	↘
17:	10.2	↖
18:	*10.8	↖
19:	*10.9	↑
20:	10.1	↖
Serie		99.0
Total		198.0



1:	9.8	↗
2:	*10.7	↓
3:	10.0	↖
4:	10.3	←
5:	10.5	↙
Serie		49.0
Total		0.0

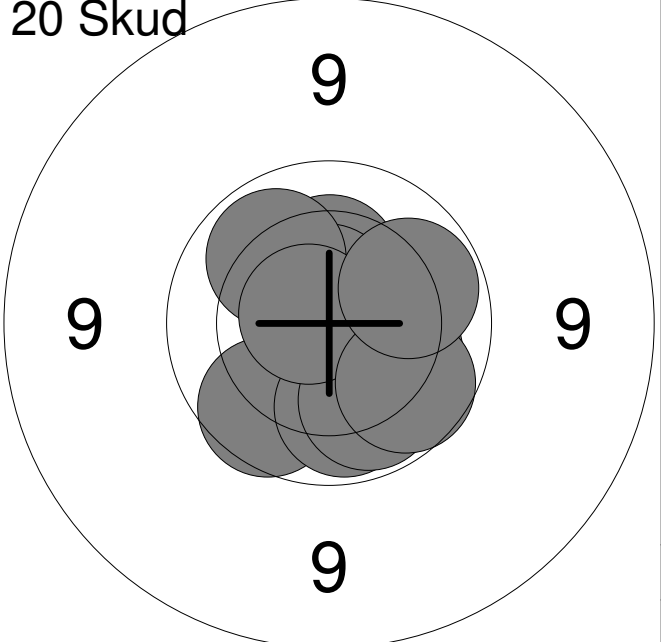


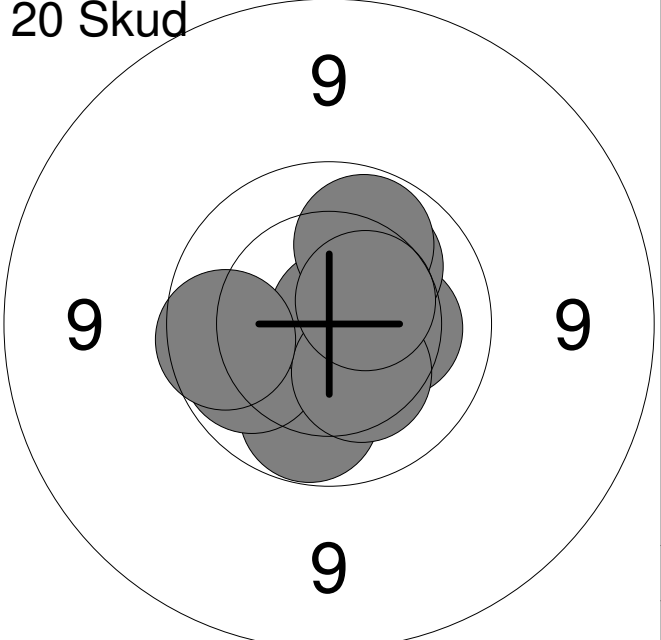
1:	*10.5	↑
2:	*10.7	↗
3:	10.2	↖
4:	9.7	←
5:	10.3	↖
6:	*10.6	↓
7:	10.0	↖
8:	10.1	↗
9:	*10.5	↖
10:	*10.8	↓
Serie		99.0
Total		99.0

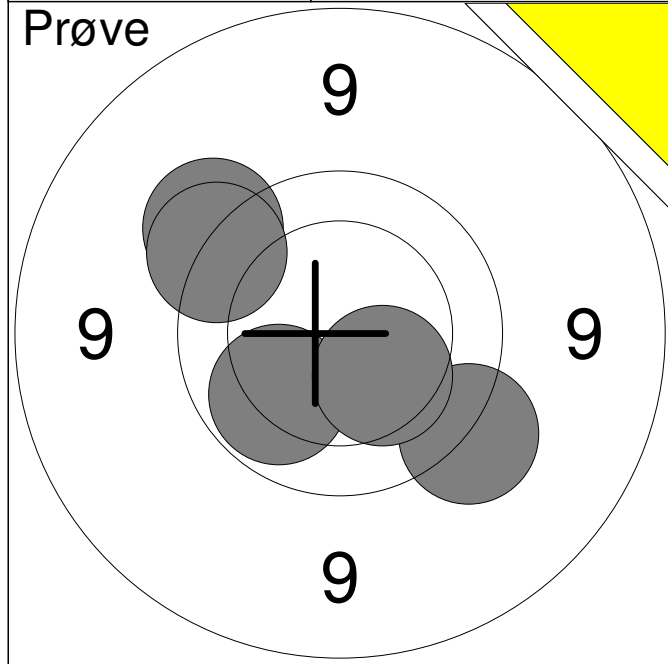


11:	10.1	↓
12:	10.4	↓
13:	*10.6	↑
14:	10.0	↓
15:	*10.8	↓
16:	10.2	↖
17:	10.3	↖
18:	10.1	↓
19:	*10.6	↖
20:	10.0	→
Serie		100.0
Total		199.0

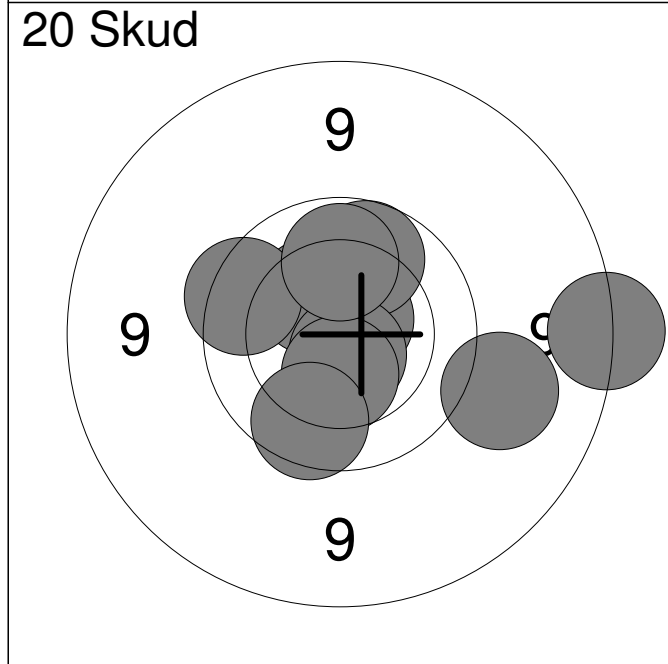
<p>Prøve</p> 	<table style="width:100%; border-collapse: collapse;"> <tr><td style="width:10%;">1:</td><td style="width:70%;">9.5</td><td style="width:20%; text-align: center;">↓</td></tr> <tr><td>2:</td><td>9.8</td><td style="text-align: center;">↗</td></tr> <tr><td>3:</td><td>9.9</td><td style="text-align: center;">↗</td></tr> <tr><td>4:</td><td>9.6</td><td style="text-align: center;">↘</td></tr> <tr><td>5:</td><td>10.3</td><td style="text-align: center;">↓</td></tr> <tr><td>6:</td><td>9.7</td><td style="text-align: center;">↗</td></tr> <tr><td>7:</td><td>10.1</td><td style="text-align: center;">→</td></tr> <tr><td>8:</td><td>9.9</td><td style="text-align: center;">←</td></tr> <tr><td>9:</td><td>*10.7</td><td style="text-align: center;">↓</td></tr> <tr><td colspan="2">Serie</td><td style="text-align: right;">84.0</td></tr> <tr><td colspan="2">Total</td><td style="text-align: right;">0.0</td></tr> </table>	1:	9.5	↓	2:	9.8	↗	3:	9.9	↗	4:	9.6	↘	5:	10.3	↓	6:	9.7	↗	7:	10.1	→	8:	9.9	←	9:	*10.7	↓	Serie		84.0	Total		0.0
1:	9.5	↓																																
2:	9.8	↗																																
3:	9.9	↗																																
4:	9.6	↘																																
5:	10.3	↓																																
6:	9.7	↗																																
7:	10.1	→																																
8:	9.9	←																																
9:	*10.7	↓																																
Serie		84.0																																
Total		0.0																																

<p>20 Skud</p> 	<table style="width:100%; border-collapse: collapse;"> <tr><td style="width:10%;">1:</td><td style="width:70%;">10.3</td><td style="width:20%; text-align: center;">↑</td></tr> <tr><td>2:</td><td>9.9</td><td style="text-align: center;">↙</td></tr> <tr><td>3:</td><td>10.2</td><td style="text-align: center;">↘</td></tr> <tr><td>4:</td><td>*10.6</td><td style="text-align: center;">↑</td></tr> <tr><td>5:</td><td>10.1</td><td style="text-align: center;">↗</td></tr> <tr><td>6:</td><td>10.0</td><td style="text-align: center;">↓</td></tr> <tr><td>7:</td><td>10.0</td><td style="text-align: center;">↓</td></tr> <tr><td>8:</td><td>*10.7</td><td style="text-align: center;">↗</td></tr> <tr><td>9:</td><td>9.9</td><td style="text-align: center;">↓</td></tr> <tr><td>10:</td><td>10.0</td><td style="text-align: center;">→</td></tr> <tr><td colspan="2">Serie</td><td style="text-align: right;">98.0</td></tr> <tr><td colspan="2">Total</td><td style="text-align: right;">98.0</td></tr> </table>	1:	10.3	↑	2:	9.9	↙	3:	10.2	↘	4:	*10.6	↑	5:	10.1	↗	6:	10.0	↓	7:	10.0	↓	8:	*10.7	↗	9:	9.9	↓	10:	10.0	→	Serie		98.0	Total		98.0
1:	10.3	↑																																			
2:	9.9	↙																																			
3:	10.2	↘																																			
4:	*10.6	↑																																			
5:	10.1	↗																																			
6:	10.0	↓																																			
7:	10.0	↓																																			
8:	*10.7	↗																																			
9:	9.9	↓																																			
10:	10.0	→																																			
Serie		98.0																																			
Total		98.0																																			

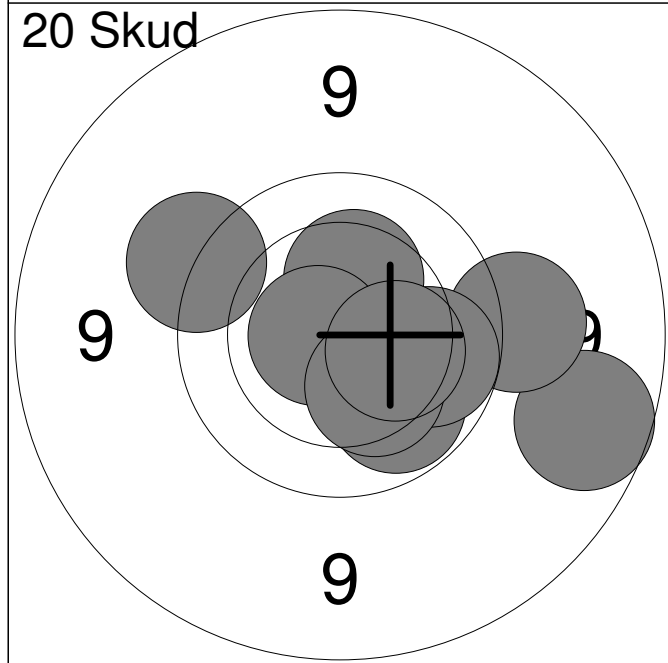
<p>20 Skud</p> 	<table style="width:100%; border-collapse: collapse;"> <tr><td style="width:10%;">11:</td><td style="width:70%;">10.0</td><td style="width:20%; text-align: center;">↓</td></tr> <tr><td>12:</td><td>10.4</td><td style="text-align: center;">→</td></tr> <tr><td>13:</td><td>10.3</td><td style="text-align: center;">→</td></tr> <tr><td>14:</td><td>10.0</td><td style="text-align: center;">↙</td></tr> <tr><td>15:</td><td>10.2</td><td style="text-align: center;">↗</td></tr> <tr><td>16:</td><td>*10.8</td><td style="text-align: center;">↗</td></tr> <tr><td>17:</td><td>10.3</td><td style="text-align: center;">↓</td></tr> <tr><td>18:</td><td>9.9</td><td style="text-align: center;">←</td></tr> <tr><td>19:</td><td>10.0</td><td style="text-align: center;">↗</td></tr> <tr><td>20:</td><td>10.5</td><td style="text-align: center;">↗</td></tr> <tr><td colspan="2">Serie</td><td style="text-align: right;">99.0</td></tr> <tr><td colspan="2">Total</td><td style="text-align: right;">197.0</td></tr> </table>	11:	10.0	↓	12:	10.4	→	13:	10.3	→	14:	10.0	↙	15:	10.2	↗	16:	*10.8	↗	17:	10.3	↓	18:	9.9	←	19:	10.0	↗	20:	10.5	↗	Serie		99.0	Total		197.0
11:	10.0	↓																																			
12:	10.4	→																																			
13:	10.3	→																																			
14:	10.0	↙																																			
15:	10.2	↗																																			
16:	*10.8	↗																																			
17:	10.3	↓																																			
18:	9.9	←																																			
19:	10.0	↗																																			
20:	10.5	↗																																			
Serie		99.0																																			
Total		197.0																																			



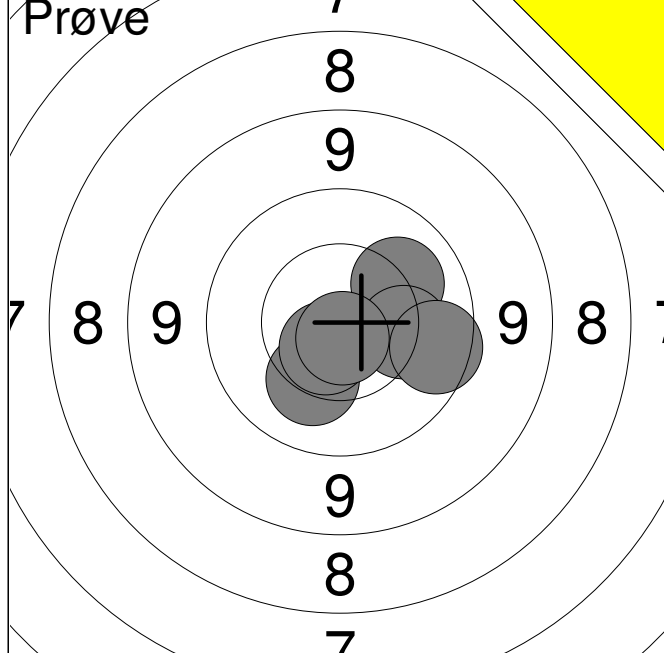
1:	9.5	↗
2:	9.6	↗
3:	10.0	↘
4:	9.5	↘
5:	10.3	↘
Serie		47.0
Total		0.0



1:	9.3	→
2:	*10.7	↗
3:	9.9	↗
4:	10.4	↗
5:	*10.7	↘
6:	10.4	↘
7:	9.8	↗
8:	10.0	↑
9:	8.7	→
10:	9.8	↘
Serie		94.0
Total		94.0

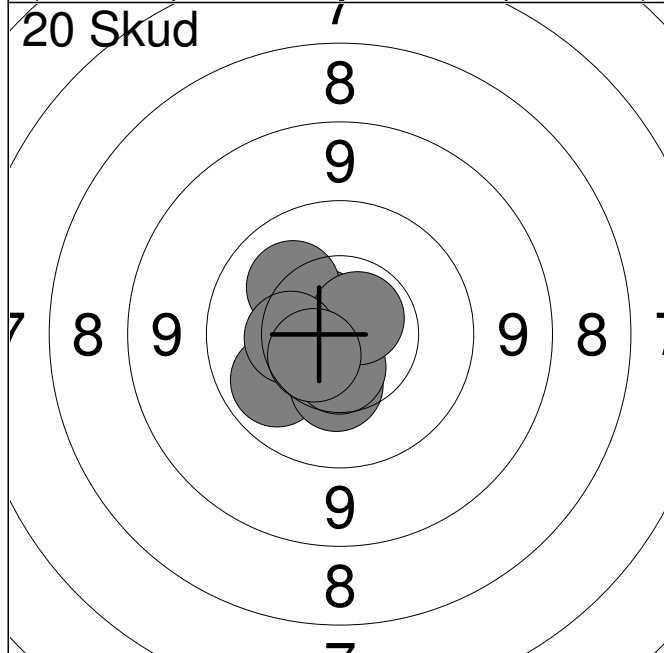


11:	8.9	→
12:	10.0	↘
13:	9.4	→
14:	*10.8	→
15:	10.3	↗
16:	10.0	→
17:	*10.7	←
18:	9.5	↗
19:	10.3	↘
20:	10.3	→
Serie		96.0
Total		190.0



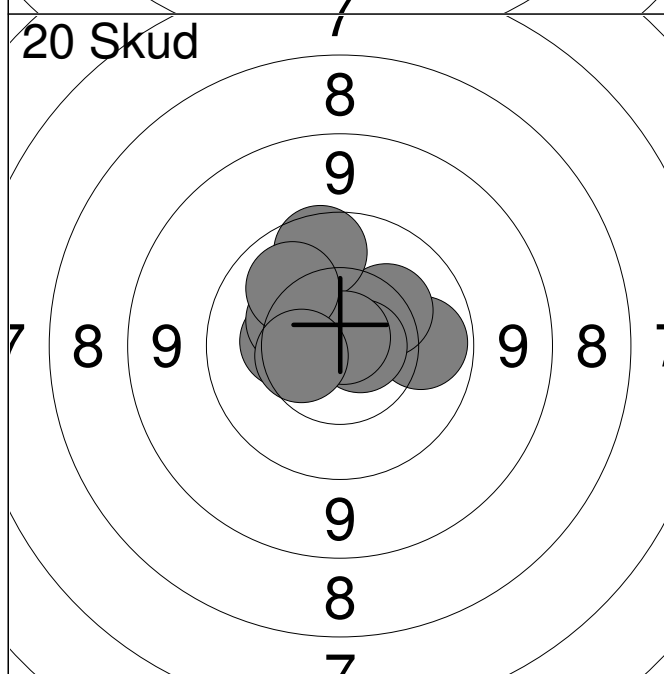
1:	10.1	↗
2:	10.2	→
3:	9.8	→
4:	10.2	↘
5:	*10.6	↘
6:	*10.8	↘

Serie	59.0
Total	0.0



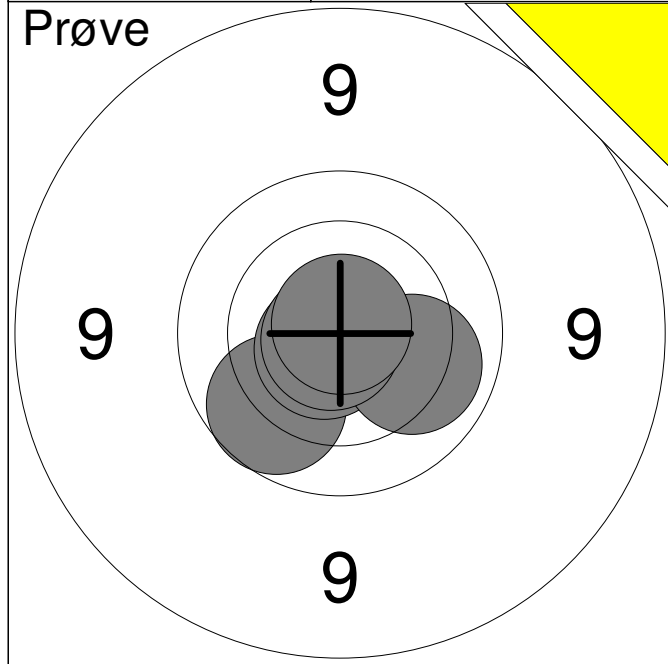
1:	*10.6	↗
2:	*10.8	↘
3:	*10.7	←
4:	10.1	↙
5:	10.4	↘
6:	10.6	↘
7:	10.2	↗
8:	*10.7	↗
9:	10.4	←
10:	10.6	↙

Serie	100.0
Total	100.0

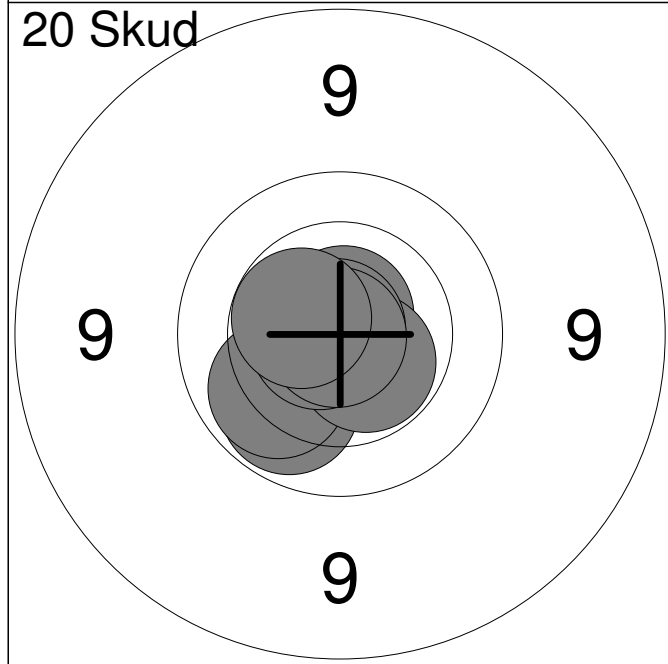


11:	10.3	←
12:	10.3	↖
13:	10.0	→
14:	*10.7	↑
15:	10.3	↗
16:	*10.7	→
17:	9.8	↑
18:	*10.8	↗
19:	10.1	↖
20:	10.5	←

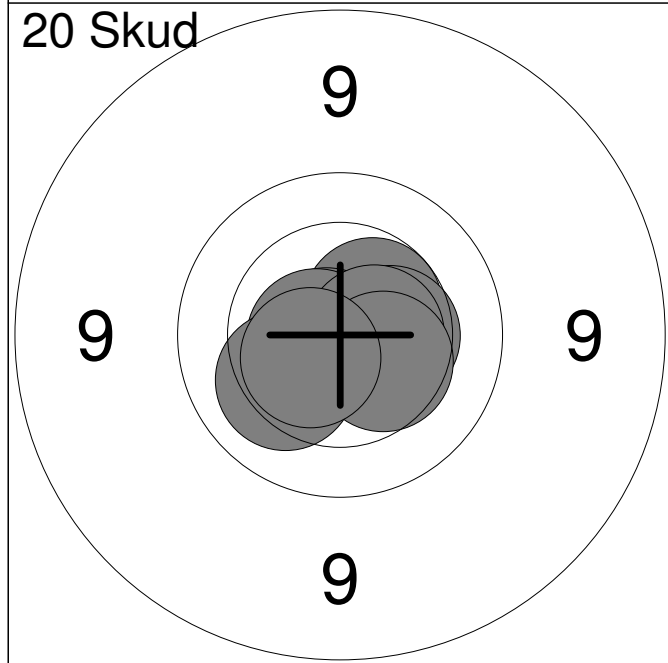
Serie	99.0
Total	199.0



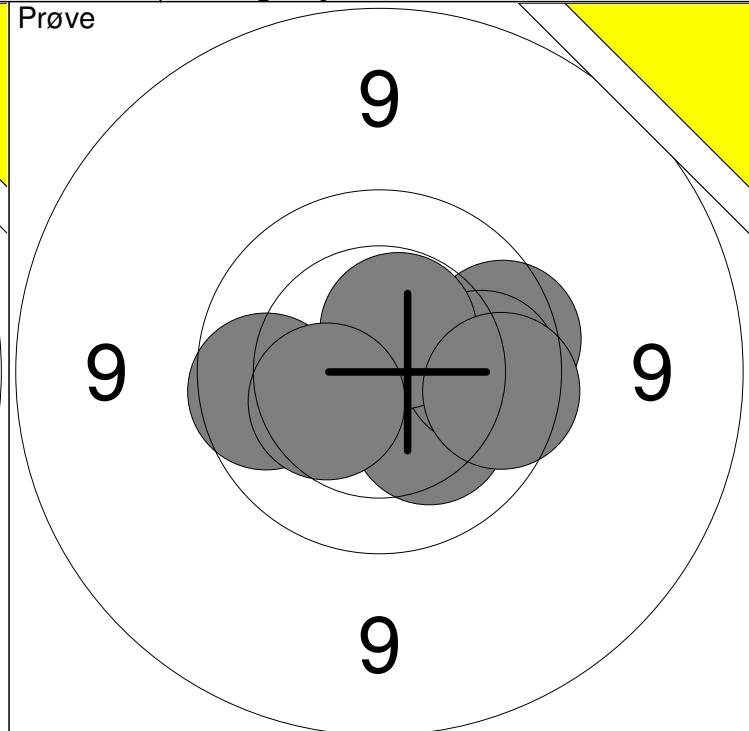
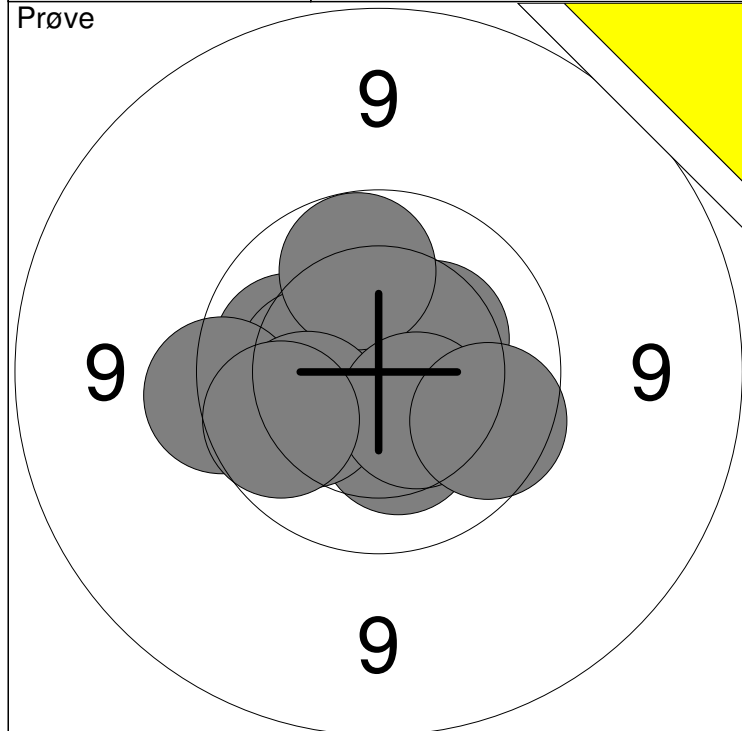
1:	9.9	↙
2:	*10.7	↙
3:	10.1	→
4:	*10.8	↙
5:	*10.9	↑
Serie		49.0
Total		0.0



1:	*10.9	↑
2:	*10.7	↙
3:	10.0	↙
4:	10.1	↙
5:	*10.8	↑
6:	*10.5	↘
7:	*10.7	←
8:	*10.9	↑
9:	*10.9	↙
10:	*10.5	↙
Serie		100.0
Total		100.0

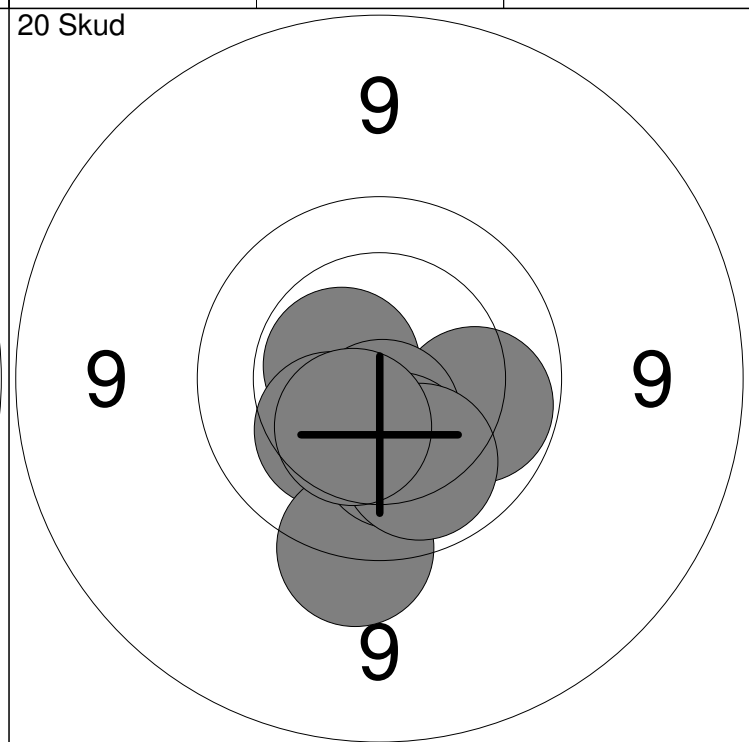
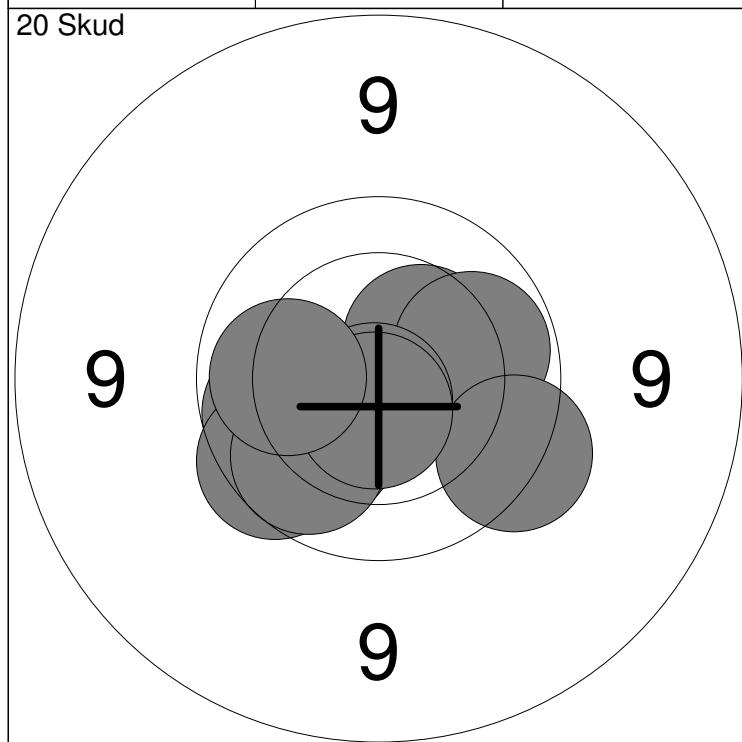


11:	*10.5	↗
12:	*10.8	←
13:	*10.8	↓
14:	*10.7	↙
15:	*10.7	←
16:	10.4	→
17:	10.2	↙
18:	*10.6	→
19:	10.4	↘
20:	*10.5	↙
Serie		100.0
Total		200.0



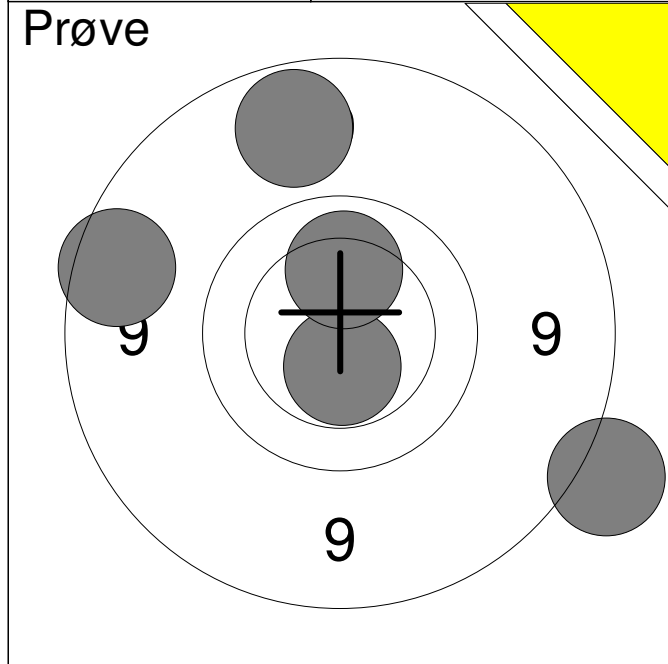
1: 10.1 ←	6: 10.0 ↑	Serie	97.0
2: 10.4 ↗	7: 10.2 ↙		
3: 10.3 ↓	8: 10.4 ↘	Total	0.0
4: 10.3 ←	9: 9.9 →		
5: 9.6 ←	10: 9.9 ←		

11: 10.2 ↘	16: 9.9 ←	Serie	67.0
12: 9.8 →	17: 10.4 ↙		
13: 10.0 →	14: *10.5 ↑	Total	0.0
15: 9.8 →			

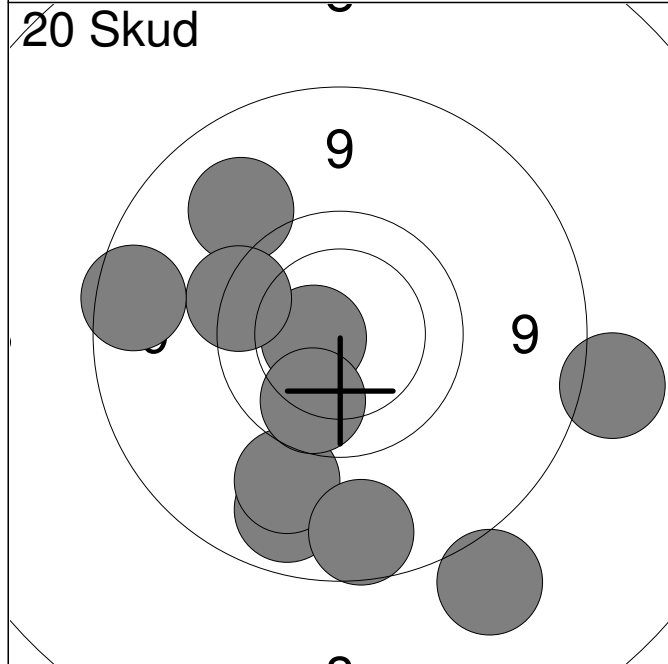


1: 10.1 ↙	6: 10.0 →	Serie	96.0
2: 9.9 ←	7: *10.7 ↓		
3: 9.8 ←	8: 9.7 →	Total	96.0
4: 10.4 ↗	9: *10.6 ↓		
5: 9.9 ↙	10: 10.1 ←		

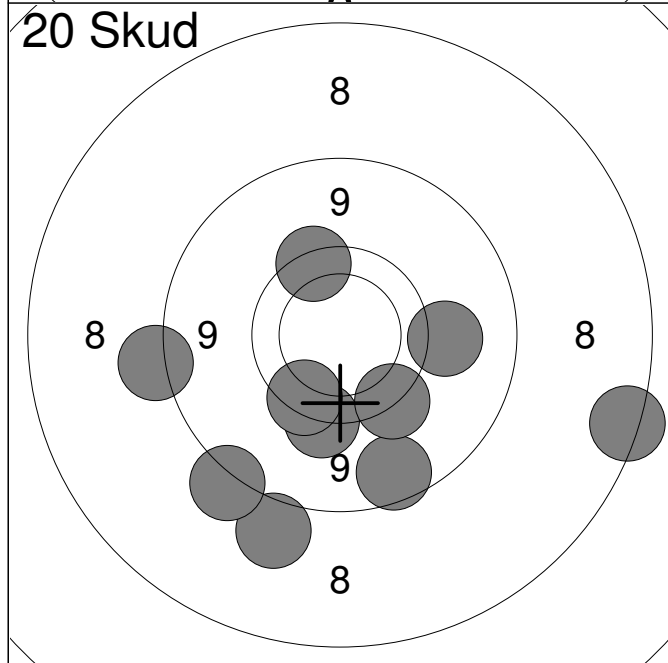
11: 10.4 ↓	16: 10.3 ↙	Serie	99.0
12: 10.2 ↘	17: 9.6 ↓		
13: *10.6 ↙	18: 10.2 ↓	Total	195.0
14: 10.0 →	19: 10.1 ↓		
15: *10.6 ↓	20: 10.4 ↙		



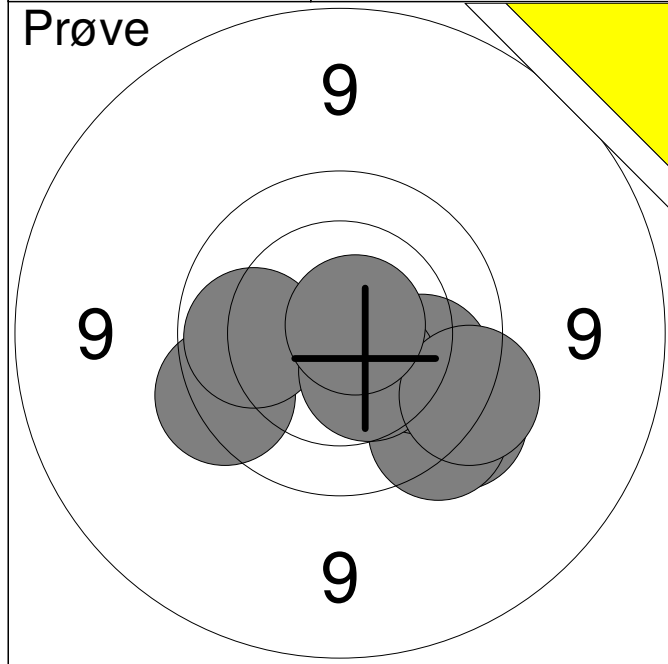
1:	8.9	←
2:	9.0	↑
3:	8.5	→
4:	*10.5	↓
5:	10.1	↑
Serie		45.0
Total		0.0



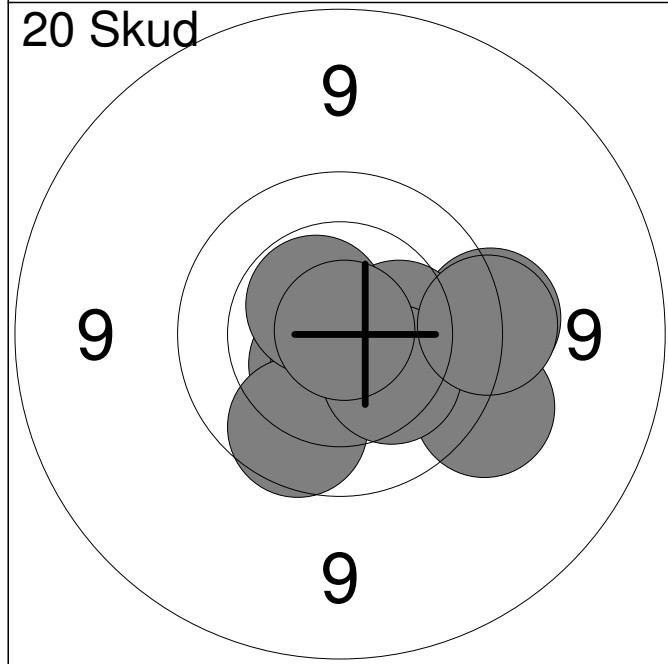
1:	*10.6	←
2:	8.5	→
3:	9.2	↗
4:	9.6	↖
5:	9.0	↓
6:	8.4	↓
7:	9.3	↓
8:	9.9	↓
9:	8.9	←
10:	8.9	↓
Serie		87.0
Total		87.0



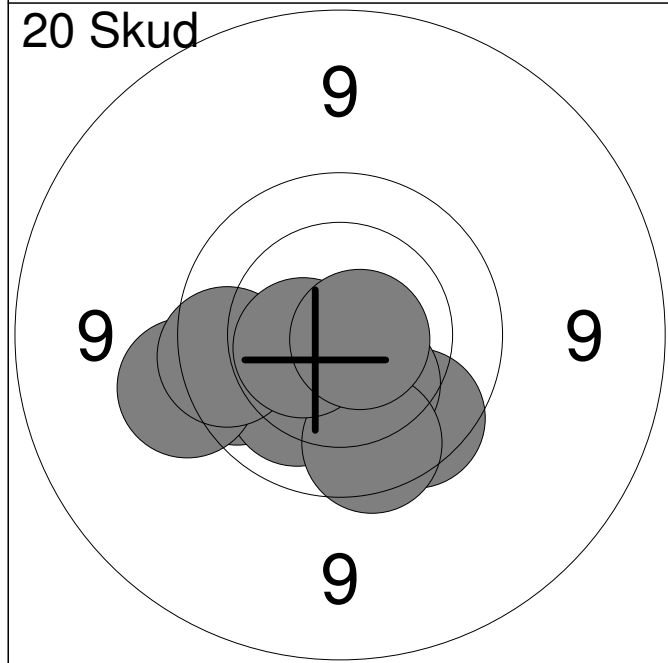
11:	9.5	↓
12:	9.7	↑
13:	8.4	↓
14:	8.9	↓
15:	8.6	←
16:	9.6	↓
17:	9.3	→
18:	9.7	↙
19:	7.8	→
20:	8.6	↙
Serie		84.0
Total		171.0



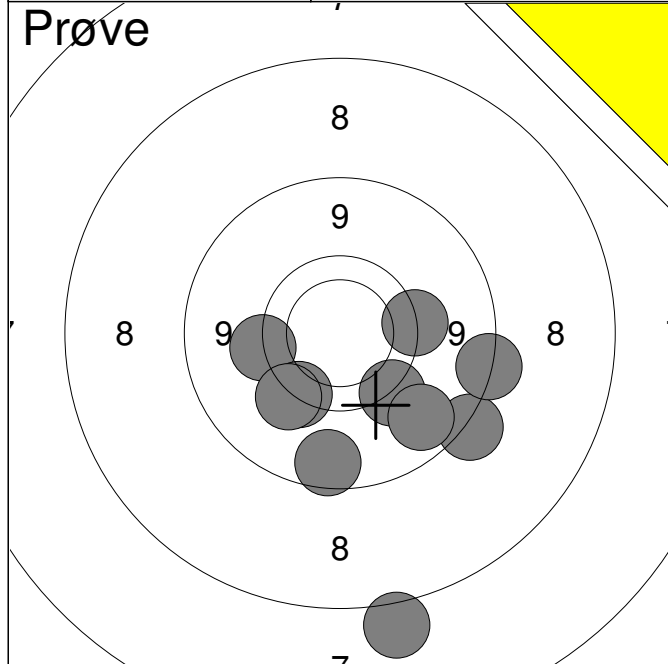
1:	9.7	↙
2:	10.0	←
3:	9.6	↘
4:	9.7	↘
5:	10.0	↘
6:	10.4	↘
7:	9.6	↘
8:	*10.8	↗
Serie		76.0
Total		0.0



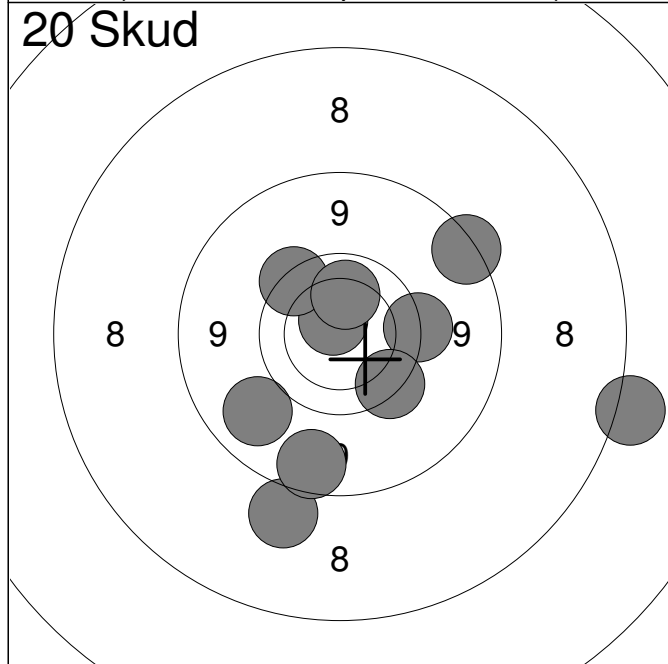
1:	*10.6	↙
2:	9.6	→
3:	*10.7	↓
4:	9.5	↘
5:	9.9	↙
6:	10.3	→
7:	*10.5	↗
8:	10.2	↘
9:	*10.9	↗
10:	9.6	→
Serie		96.0
Total		96.0



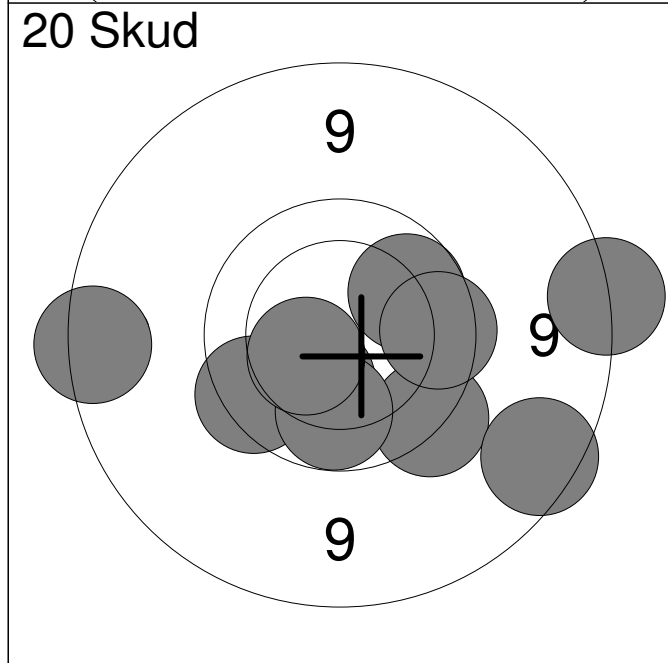
11:	9.8	↘
12:	10.5	↘
13:	9.8	←
14:	10.1	↙
15:	9.5	←
16:	10.3	↘
17:	9.8	←
18:	9.8	↘
19:	*10.5	←
20:	*10.7	→
Serie		95.0
Total		191.0



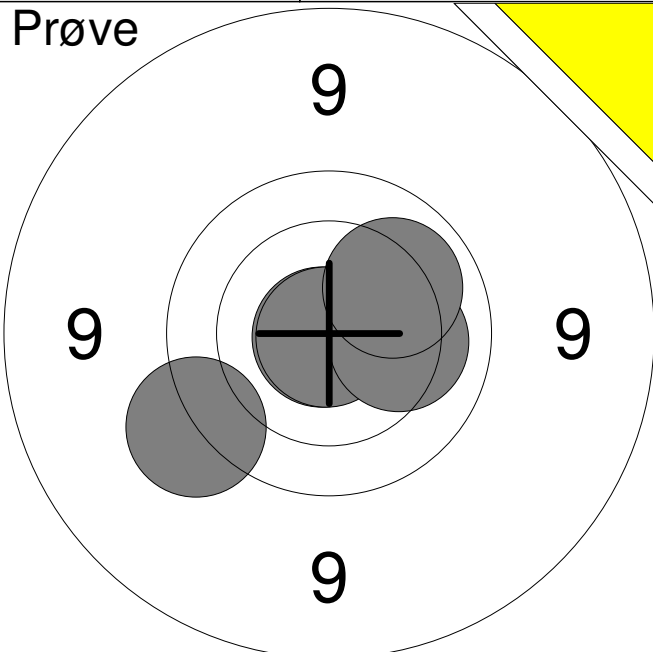
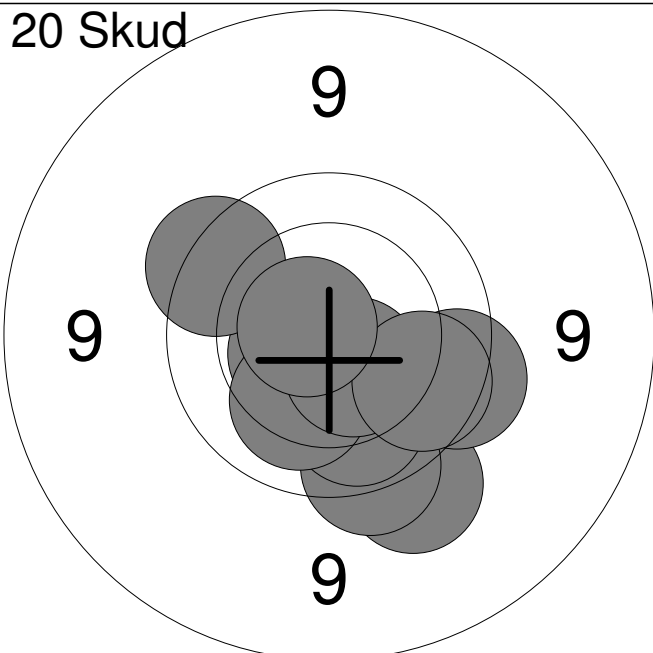
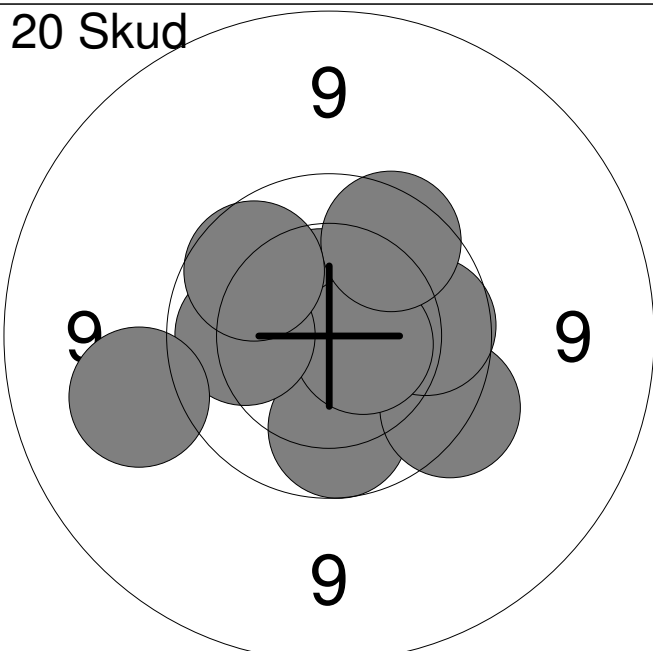
1:	7.5	↓
2:	9.6	→
3:	8.6	↓
4:	9.5	↓
5:	9.5	←
6:	8.9	↓
7:	9.6	↙
8:	8.7	→
9:	9.0	↓
10:	9.5	↙
Serie		85.0
Total		0.0

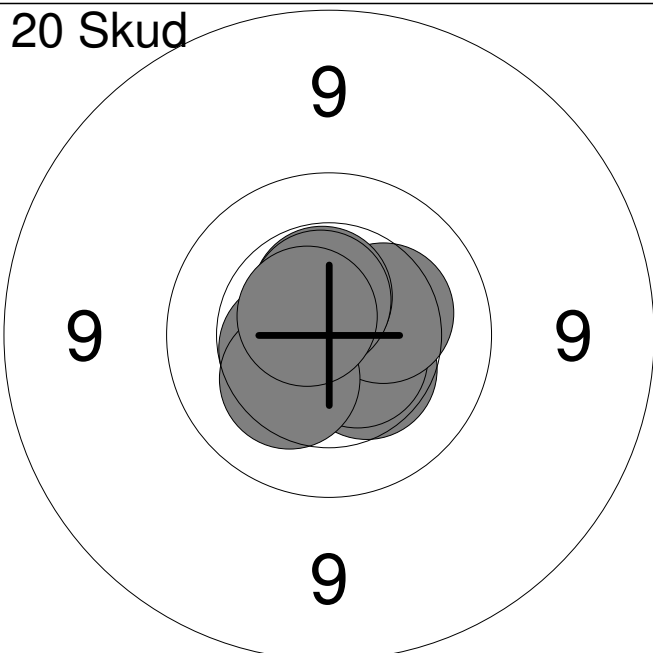
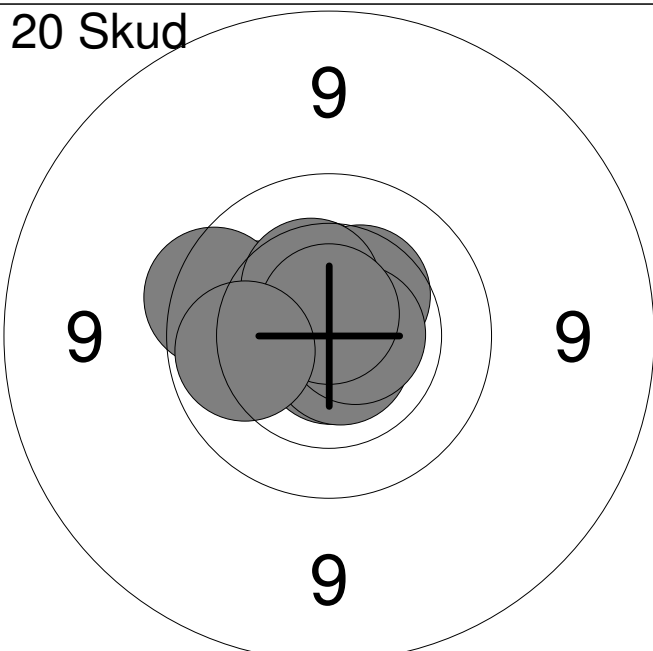


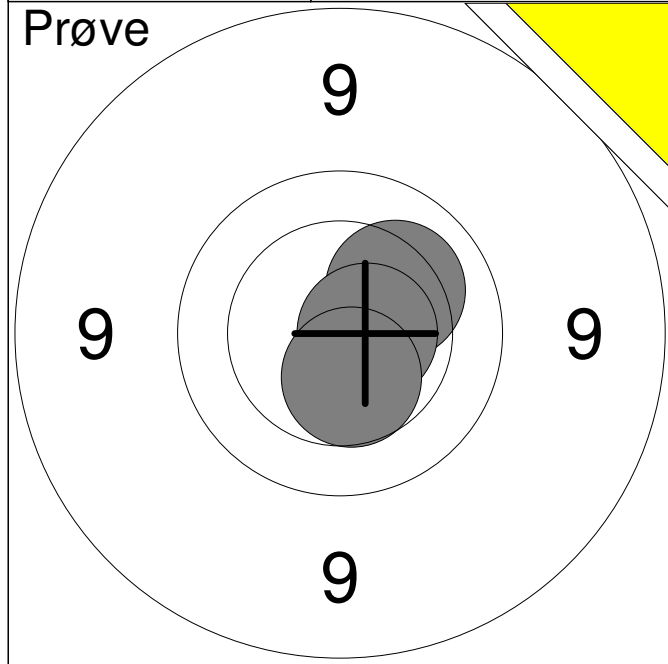
1:	*10.6	↗
2:	8.5	↓
3:	9.6	→
4:	9.6	↓
5:	9.1	↙
6:	8.7	↗
7:	8.9	↓
8:	9.7	↗
9:	10.1	↑
10:	7.6	→
Serie		87.0
Total		87.0



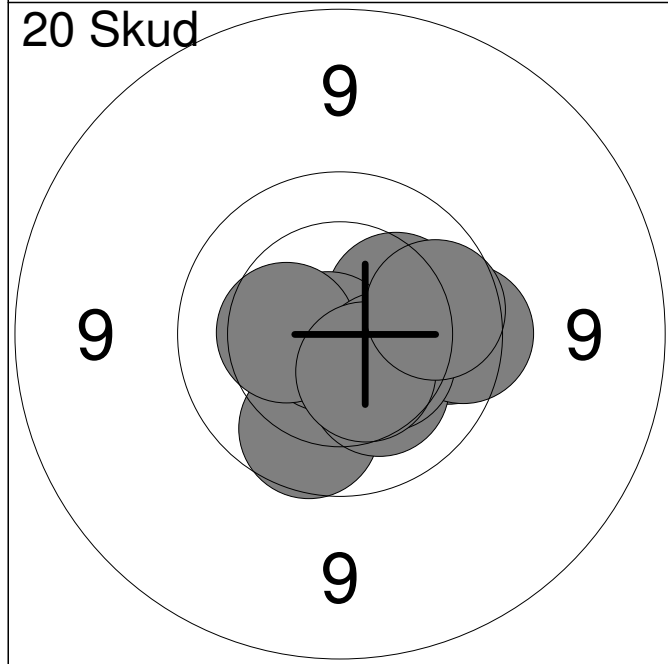
11:	9.9	↗
12:	10.3	↓
13:	9.6	↓
14:	8.8	←
15:	9.7	↙
16:	9.8	→
17:	10.0	↓
18:	8.7	→
19:	10.4	↙
20:	8.9	↘
Serie		90.0
Total		177.0

Hold 21	Skive 2	Ove Jensen		
15m		Hobro Egnens Skytteforening		ÅK1
26.02.2013		NM Senior 2013		Aalborg Skyttekreds
Prøve 		1: *10.9 ↙ 2: 9.5 ↙ 3: *10.9 ↙ 4: 10.2 → 5: 10.1 ↗		
		Serie		49.0
		Total		0.0
20 Skud 		1: 9.5 ↓ 2: *10.6 ↙ 3: 9.7 ↓ 4: 10.0 ↓ 5: 9.7 → 6: 10.2 ↓ 7: *10.5 ↓ 8: 9.9 → 9: 9.7 ↗ 10: *10.7 ↗		
		Serie		95.0
		Total		95.0
20 Skud 		11: *10.5 ↑ 12: 10.0 ↓ 13: 9.7 ↓ 14: 9.9 → 15: *10.7 ↗ 16: *10.6 → 17: 10.0 ← 18: 9.8 ↗ 19: 9.9 ↗ 20: 9.3 ←		
		Serie		95.0
		Total		190.0

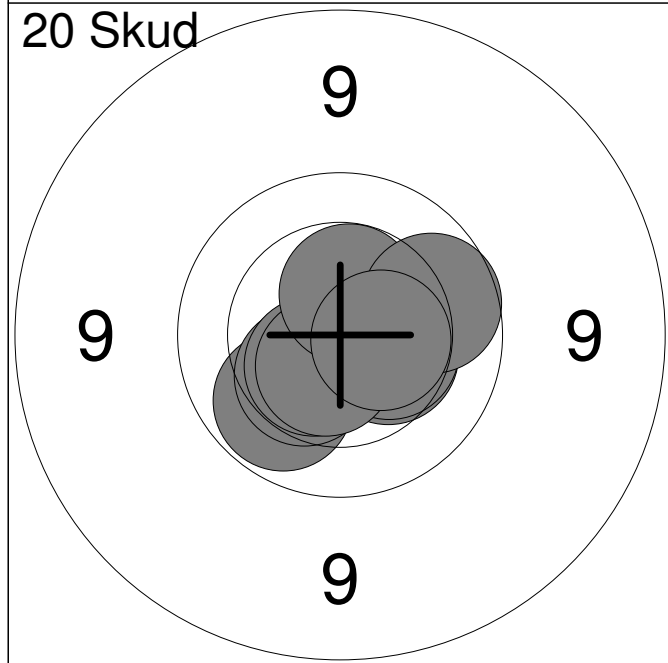
Hold 21	Skive 3	Betina Jensen		
15m	Hobro Egnens Skytteforening		ÅK2	
26.02.2013	NM Senior 2013		Aalborg Skyttekreds	
Prøve		1:	10.3	↓
		2:	10.0	↓
		3:	10.3	↓
		4:	10.2	→
		5:	10.4	↓
		6:	10.1	↗
		7:	*10.5	←
		8:	10.2	↗
		Serie		80.0
		Total		0.0
20 Skud		1:	*10.8	↗
		2:	*10.5	←
		3:	10.4	↓
		4:	*10.9	↗
		5:	*10.6	↓
		6:	10.3	→
		7:	*10.5	↑
		8:	10.3	↙
		9:	*10.6	↑
		10:	*10.6	↗
		Serie		100.0
		Total		100.0
20 Skud		11:	10.4	↑
		12:	*10.8	↓
		13:	*10.7	↓
		14:	10.4	↗
		15:	*10.7	→
		16:	10.1	↙
		17:	9.8	↙
		18:	10.4	↑
		19:	*10.7	↑
		20:	10.0	←
		Serie		99.0
		Total		199.0



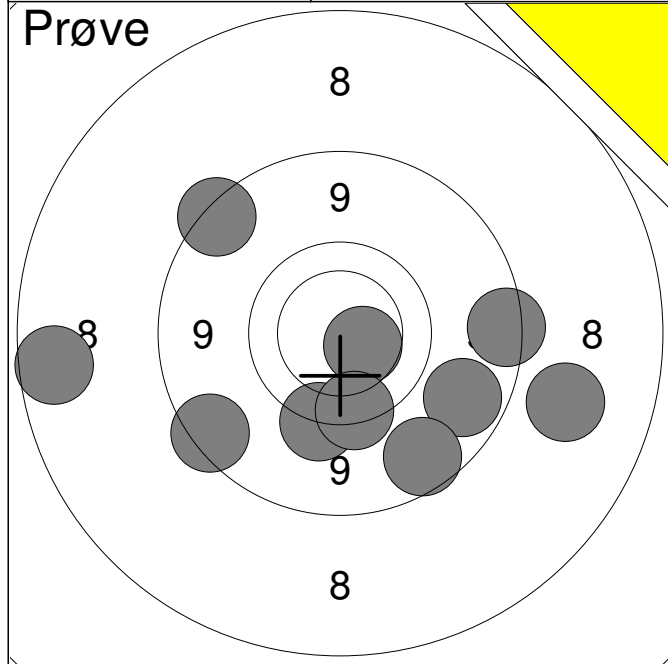
1:	10.2	↗
2:	*10.7	→
3:	10.5	↓
Serie		30.0
Total		0.0



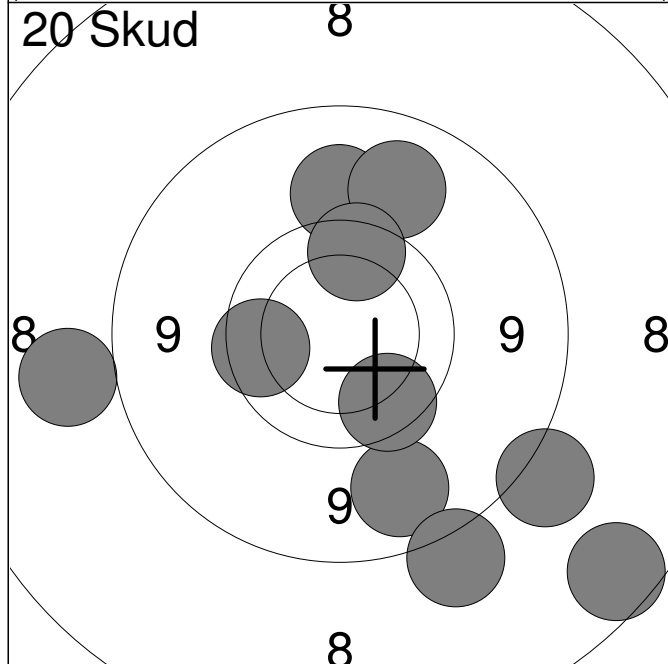
1:	9.9	↓
2:	10.3	↗
3:	*10.8	↖
4:	9.9	→
5:	10.4	←
6:	10.2	↓
7:	9.8	→
8:	10.4	↓
9:	10.5	↓
10:	9.9	→
Serie		96.0
Total		96.0



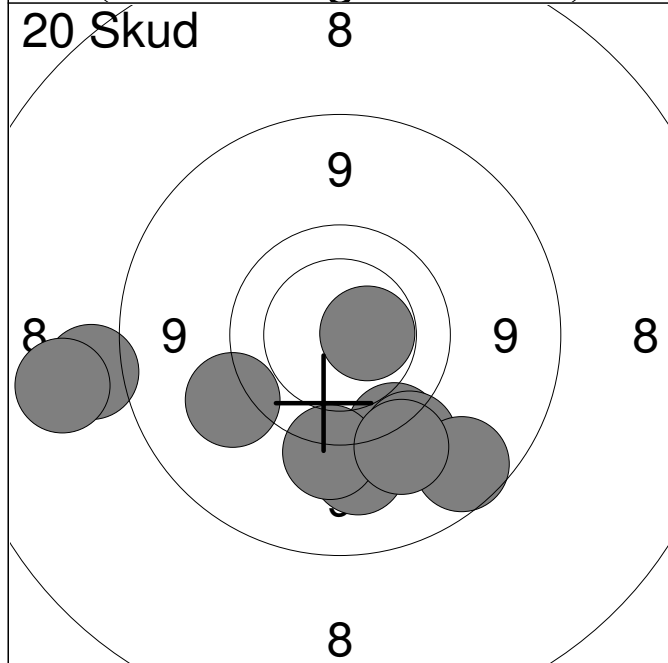
11:	10.4	→
12:	10.0	↖
13:	10.4	↖
14:	*10.5	↖
15:	10.4	→
16:	*10.6	↓
17:	10.2	→
18:	*10.5	↑
19:	9.9	→
20:	*10.5	→
Serie		99.0
Total		195.0



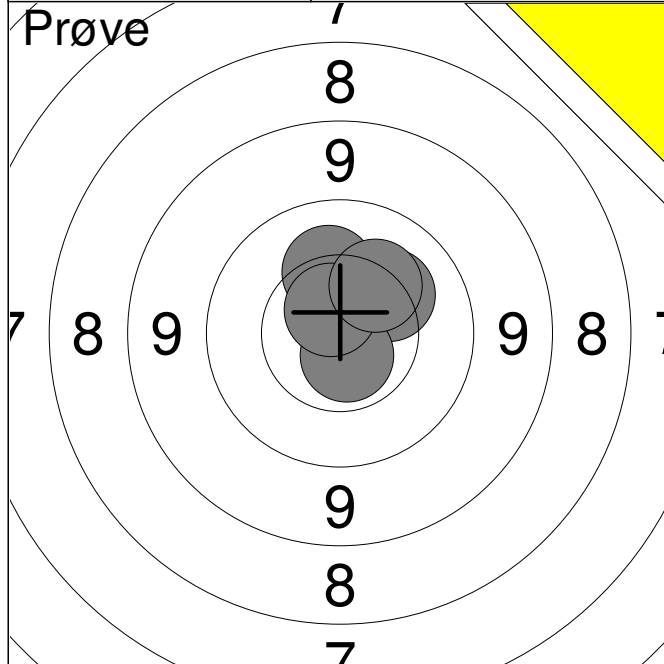
1:	10.5	↘
2:	7.9	←
3:	8.3	↘
4:	9.0	↘
5:	8.8	↗
6:	8.9	↘
7:	8.8	↙
8:	8.8	→
9:	9.5	↘
10:	9.7	↘
Serie		84.0
Total		0.0



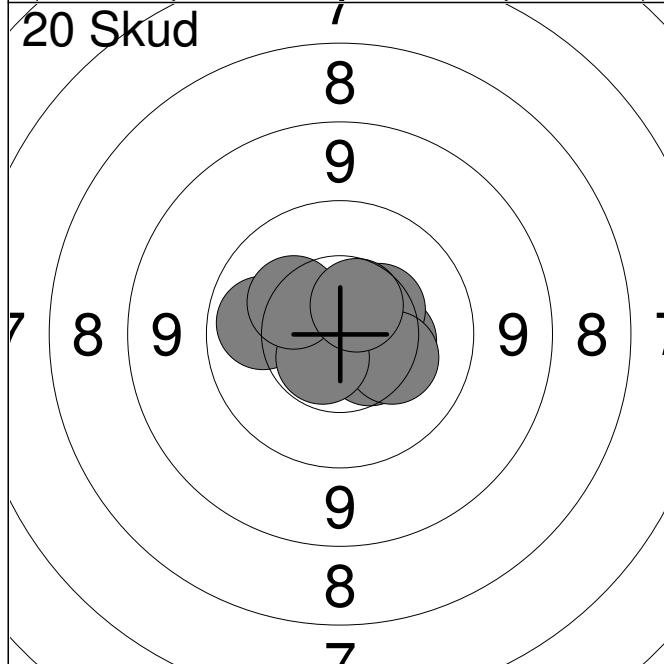
1:	9.8	←
2:	9.1	↘
3:	7.9	↘
4:	9.3	↑
5:	9.2	↗
6:	8.5	↘
7:	9.8	↑
8:	8.5	↘
9:	8.4	←
10:	9.8	↘
Serie		85.0
Total		85.0



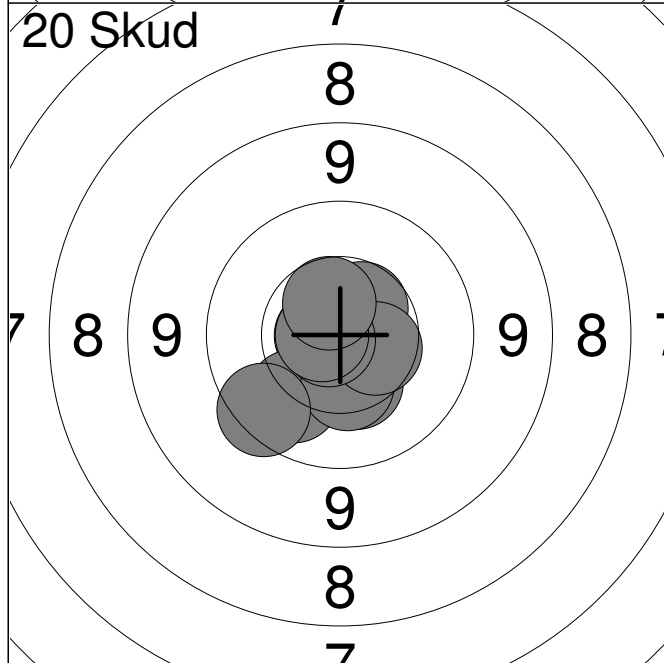
11:	8.5	←
12:	*10.5	→
13:	8.3	←
14:	9.5	↘
15:	9.4	↘
16:	9.4	↙
17:	8.9	↘
18:	9.3	↘
19:	9.5	↘
20:	9.4	↘
Serie		88.0
Total		173.0



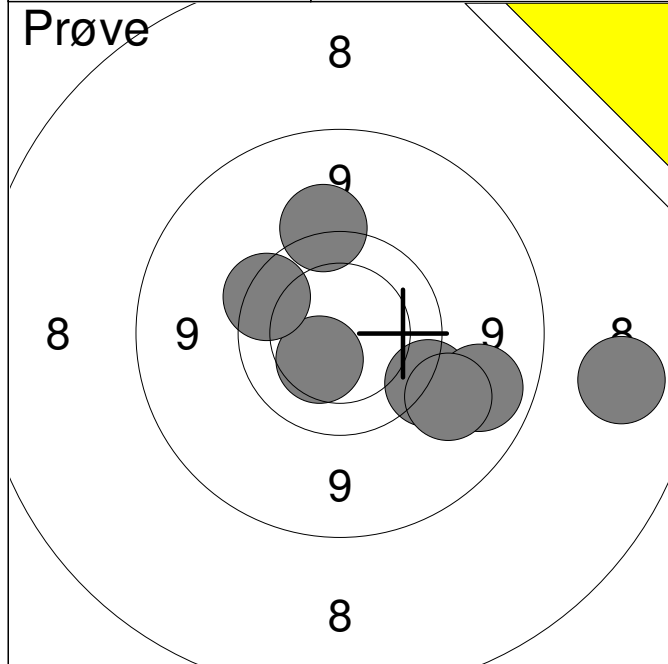
1:	10.2	↗
2:	*10.7	↓
3:	10.2	↑
4:	*10.7	↑
5:	10.3	↗
Serie		50.0
Total		0.0



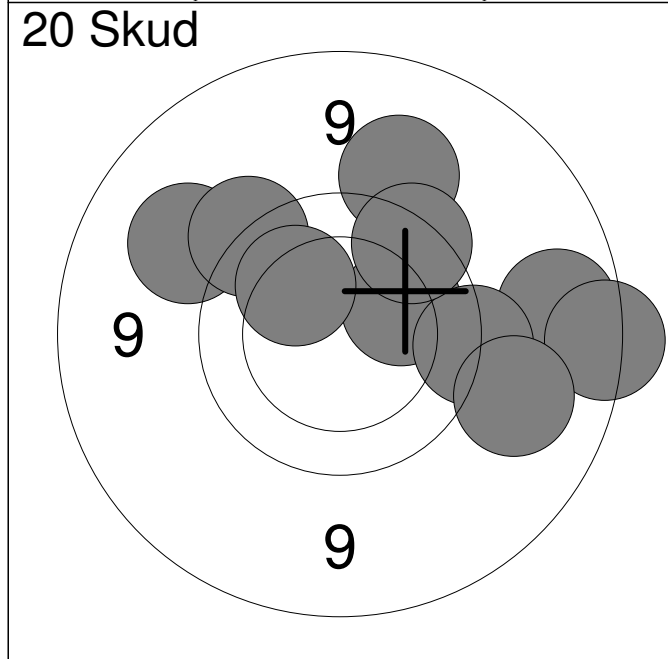
1:	10.5	↘
2:	*10.8	→
3:	10.4	→
4:	10.4	↗
5:	*10.8	↗
6:	10.1	←
7:	10.3	↘
8:	*10.6	↘
9:	10.3	↗
10:	10.6	↗
Serie		100.0
Total		100.0



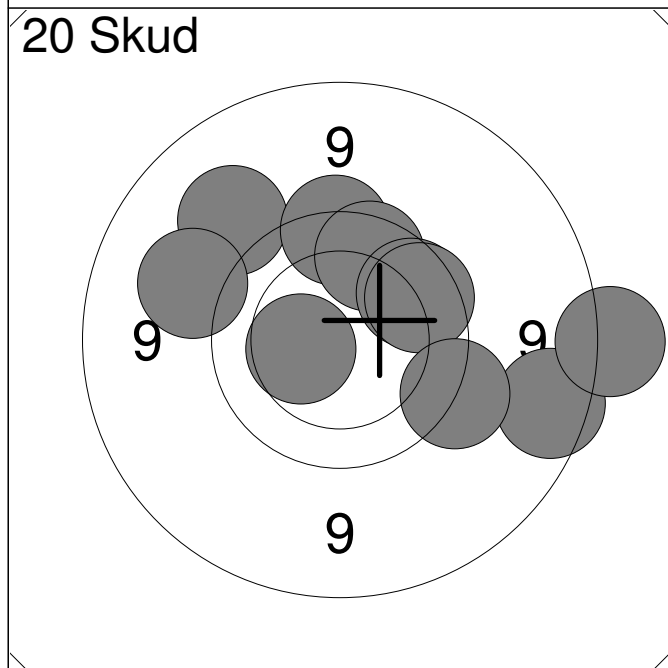
11:	*10.7	←
12:	10.4	↓
13:	10.1	↘
14:	10.6	↗
15:	10.4	↓
16:	10.5	↘
17:	*10.8	←
18:	*10.7	←
19:	10.6	↑
20:	9.7	↘
Serie		99.0
Total		199.0



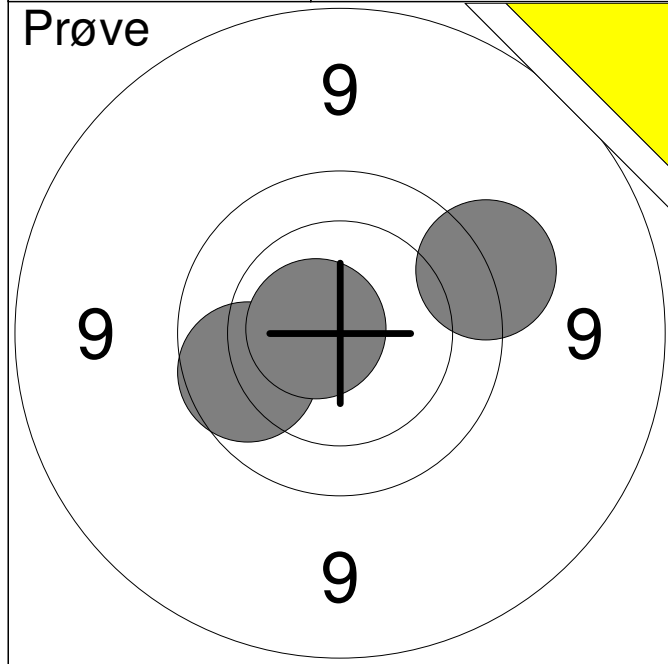
1:	9.5	↑
2:	10.4	↘
3:	8.2	→
4:	9.5	↘
5:	9.1	↘
6:	9.3	↘
7:	9.7	↗
Serie		63.0
Total		0.0



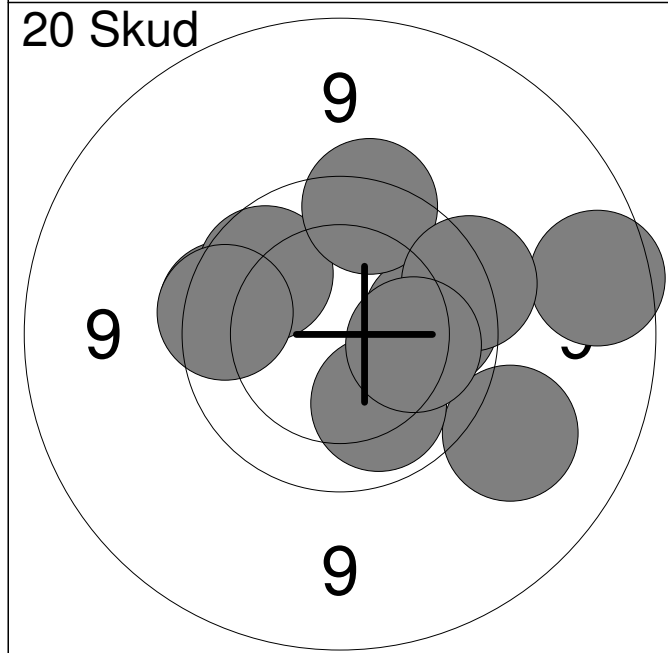
1:	9.3	↗
2:	10.1	→
3:	9.0	→
4:	9.6	↗
5:	10.1	↗
6:	9.6	→
7:	9.3	↗
8:	8.8	→
9:	9.7	↗
10:	9.2	↘
Serie		91.0
Total		91.0



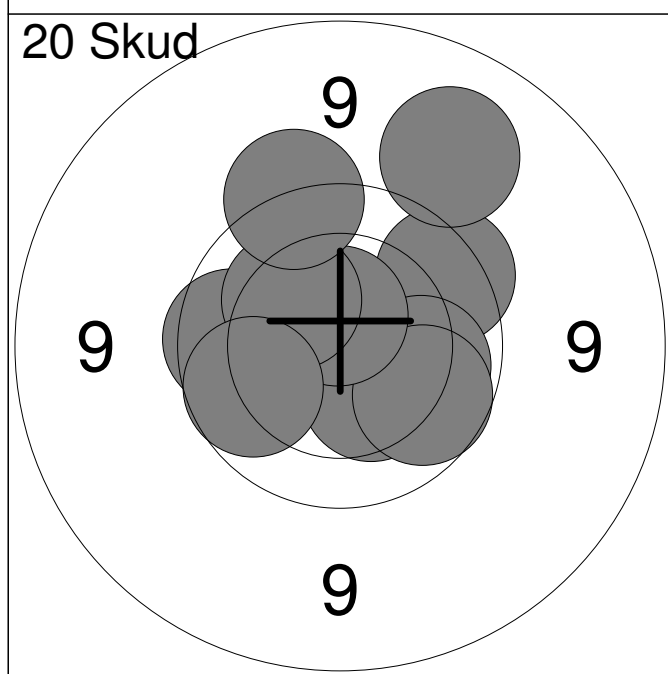
11:	8.9	↘
12:	9.3	↗
13:	8.6	→
14:	9.3	↗
15:	9.7	↑
16:	9.8	↗
17:	10.4	←
18:	9.9	↗
19:	9.8	↗
20:	9.5	↘
Serie		89.0
Total		180.0



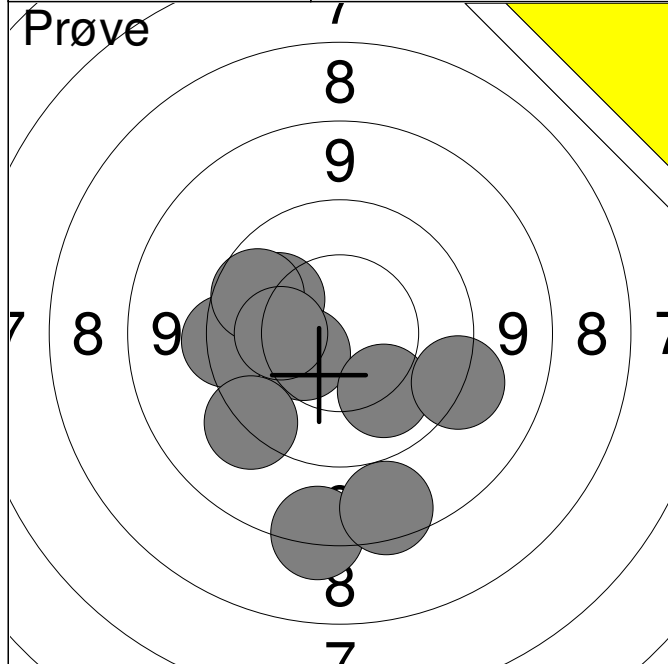
1:	9.5	→
2:	9.9	←
3:	*10.7	←
Serie		28.0
Total		0.0



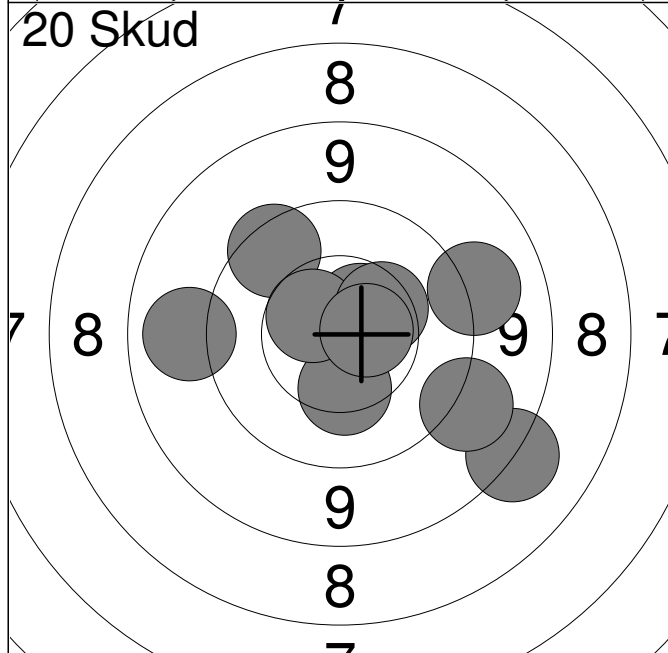
1:	9.8	←
2:	8.9	→
3:	9.3	↘
4:	9.9	→
5:	10.1	↘
6:	9.9	↗
7:	9.8	←
8:	9.7	↑
9:	9.6	→
10:	10.1	→
Serie		91.0
Total		91.0



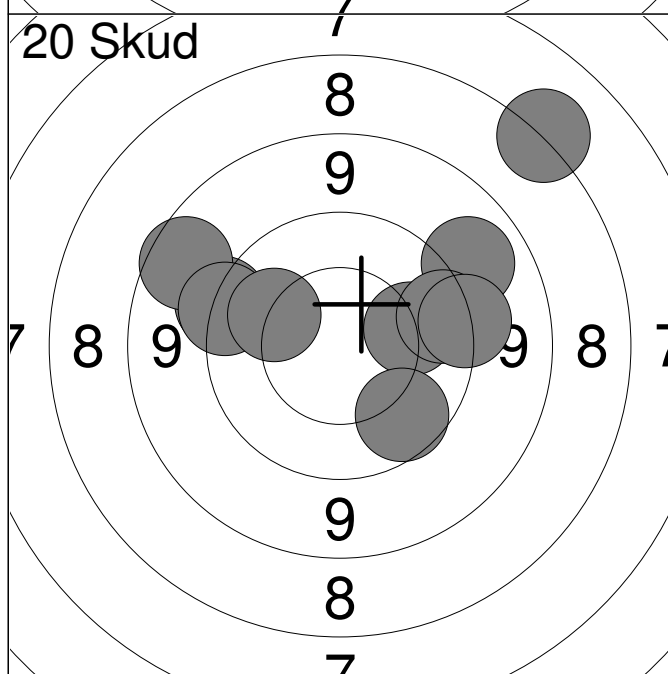
11:	10.4	↘
12:	9.9	←
13:	9.7	↗
14:	10.0	→
15:	9.9	↘
16:	*10.6	↑
17:	10.2	↗
18:	9.6	↑
19:	9.9	←
20:	9.2	↗
Serie		94.0
Total		185.0



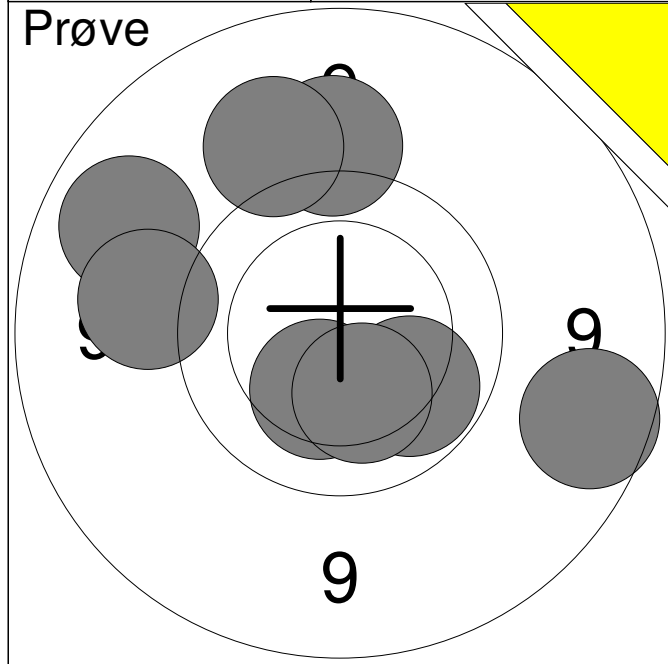
1:	8.5	↓
2:	10.1	↗
3:	10.5	↖
4:	9.6	←
5:	9.9	↗
6:	10.1	↓
7:	8.7	↓
8:	9.4	→
9:	9.4	↖
10:	10.3	←
Serie		92.0
Total		0.0



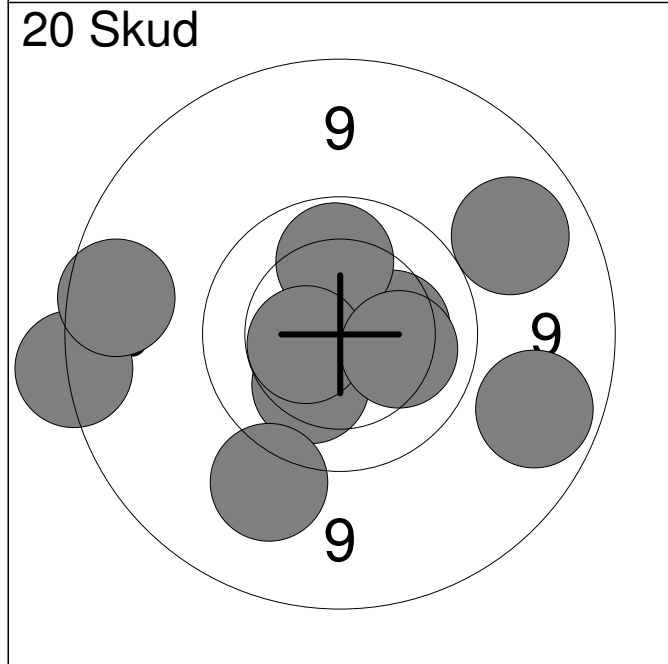
1:	9.1	←
2:	9.7	↗
3:	10.3	↓
4:	*10.6	↗
5:	8.4	↓
6:	10.6	↗
7:	9.3	→
8:	10.4	↗
9:	*10.6	→
10:	9.2	↘
Serie		94.0
Total		94.0



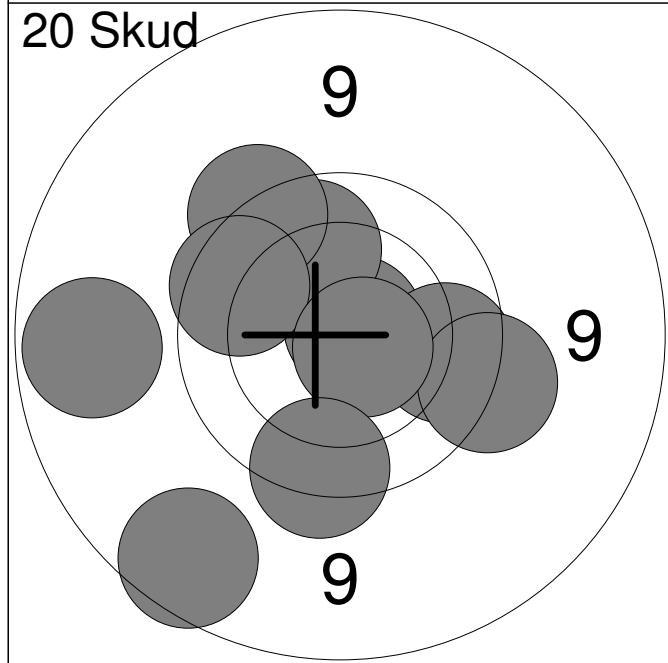
11:	9.4	←
12:	10.1	→
13:	9.9	↓
14:	8.8	↗
15:	9.1	↗
16:	9.7	→
17:	9.5	←
18:	10.1	↗
19:	7.3	↗
20:	9.4	→
Serie		89.0
Total		183.0



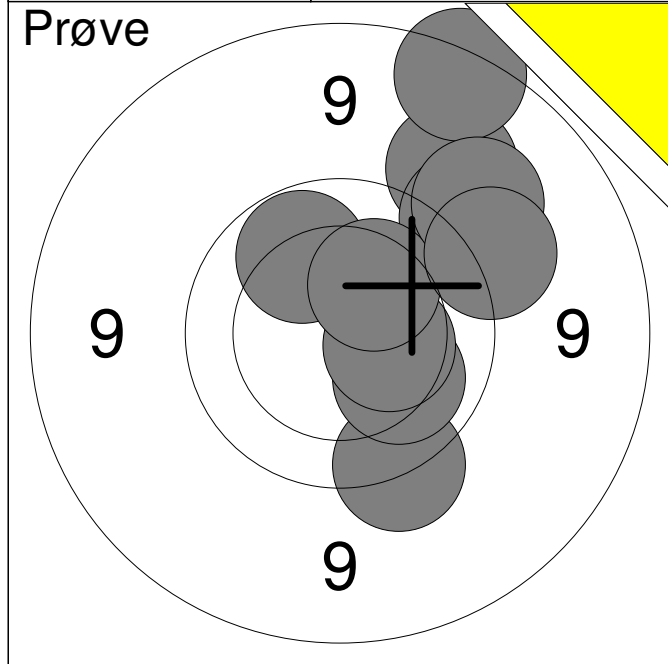
1:	9.4	↑
2:	10.0	↓
3:	10.3	↓
4:	9.3	↑
5:	9.1	↑
6:	9.3	←
7:	8.9	↓
8:	10.3	↓
Serie		74.0
Total		0.0



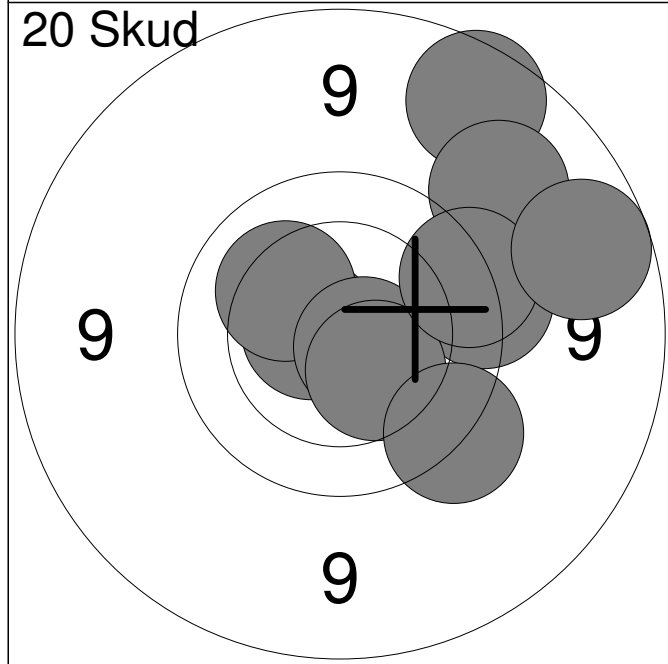
1:	8.7	←
2:	10.3	→
3:	9.0	→
4:	8.9	←
5:	10.0	↑
6:	10.2	↓
7:	*10.5	←
8:	9.1	↗
9:	9.3	↓
10:	10.2	→
Serie		93.0
Total		93.0



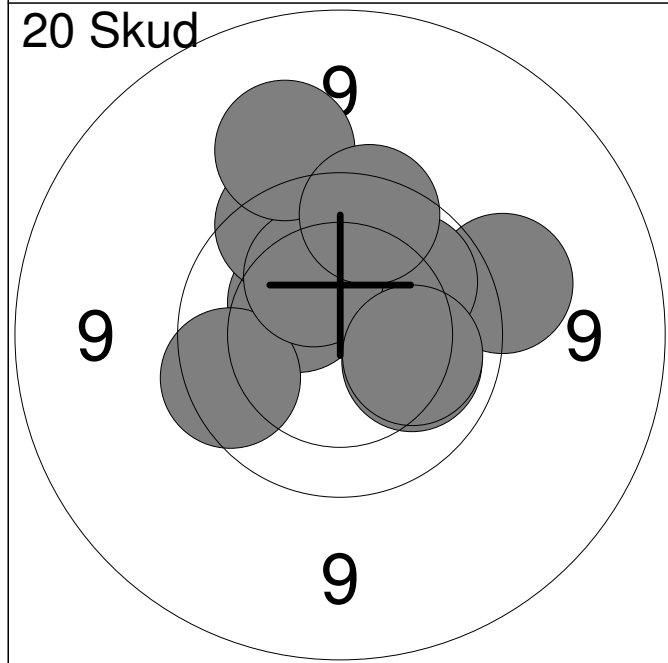
11:	*10.8	↗
12:	9.9	→
13:	10.0	↑
14:	9.6	↑
15:	9.6	↘
16:	8.9	↓
17:	9.8	↗
18:	9.0	←
19:	*10.7	↘
20:	9.7	↓
Serie		92.0
Total		185.0



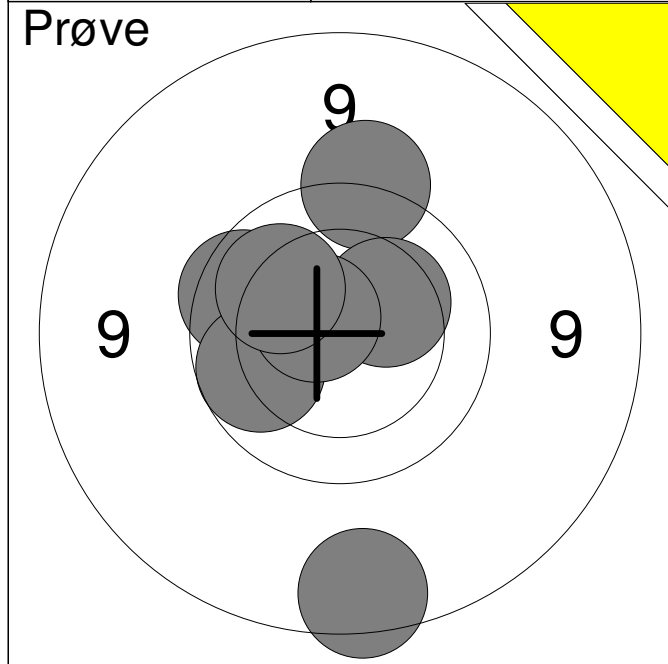
1:	10.0	↗
2:	9.6	↘
3:	10.1	↘
4:	9.2	↗
5:	10.4	→
6:	9.4	↗
7:	8.8	↗
8:	10.3	↗
9:	9.3	↗
10:	9.4	↗
Serie		93.0
Total		0.0



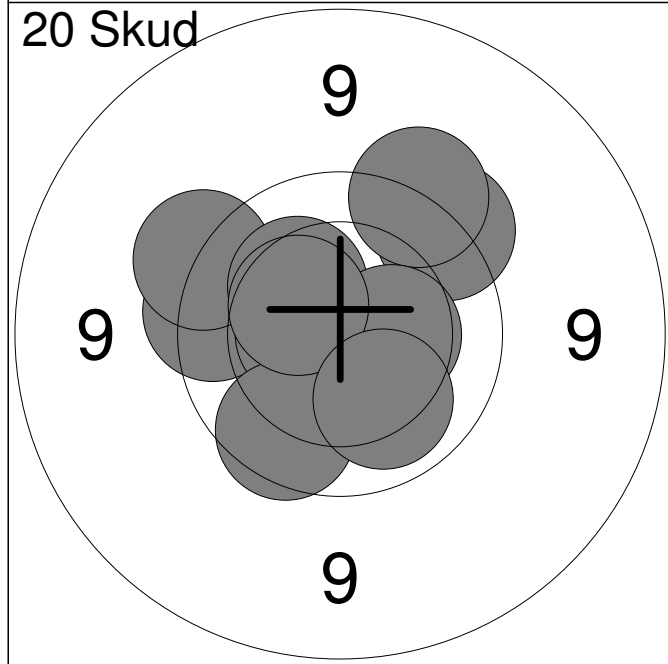
1:	8.9	↗
2:	9.2	↗
3:	*10.6	←
4:	9.6	→
5:	10.2	↗
6:	*10.7	↘
7:	10.4	↘
8:	9.6	↘
9:	9.7	→
10:	8.9	→
Serie		92.0
Total		92.0



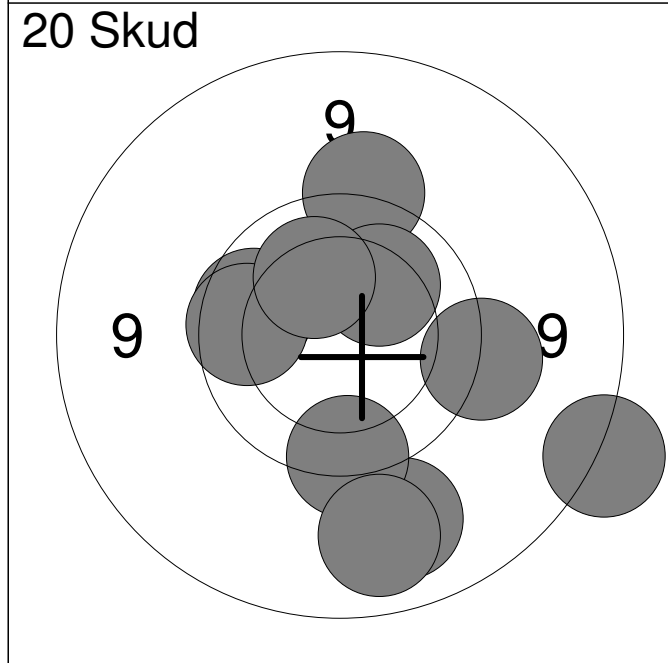
11:	9.5	→
12:	10.4	↗
13:	9.8	←
14:	10.1	→
15:	10.0	↗
16:	9.8	↗
17:	10.3	↗
18:	9.3	↗
19:	10.1	→
20:	9.8	↗
Serie		95.0
Total		187.0



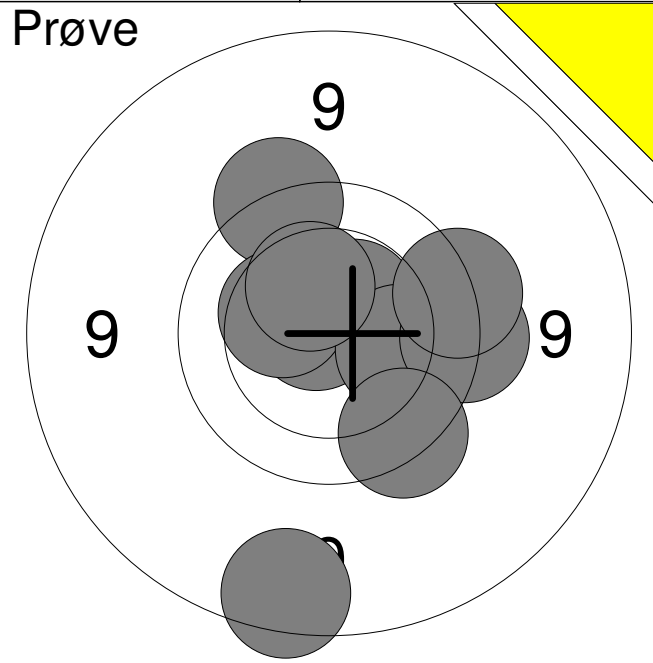
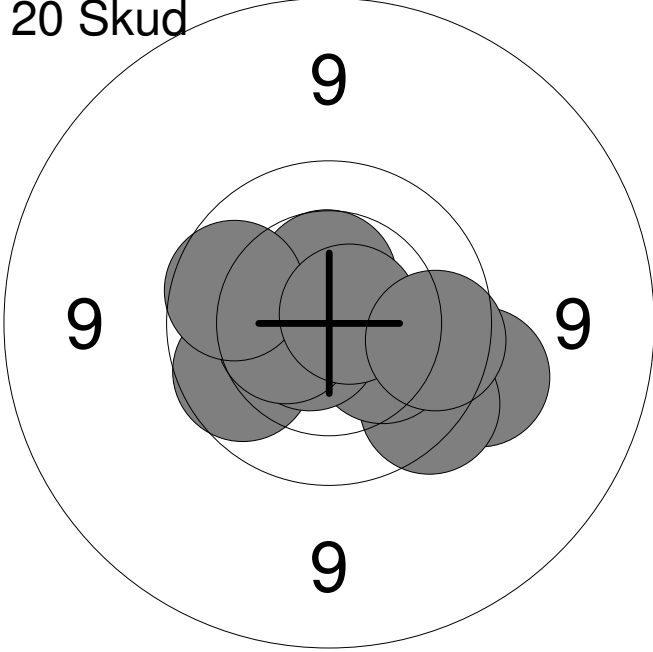
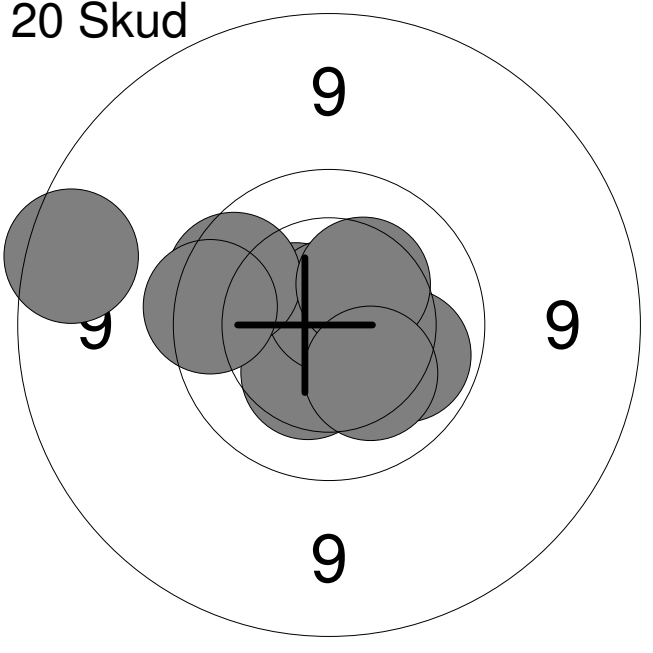
1:	8.8	↓
2:	9.8	↖
3:	9.9	↖
4:	9.5	↑
5:	10.3	↗
6:	*10.6	↗
7:	10.1	↗
Serie		65.0
Total		0.0

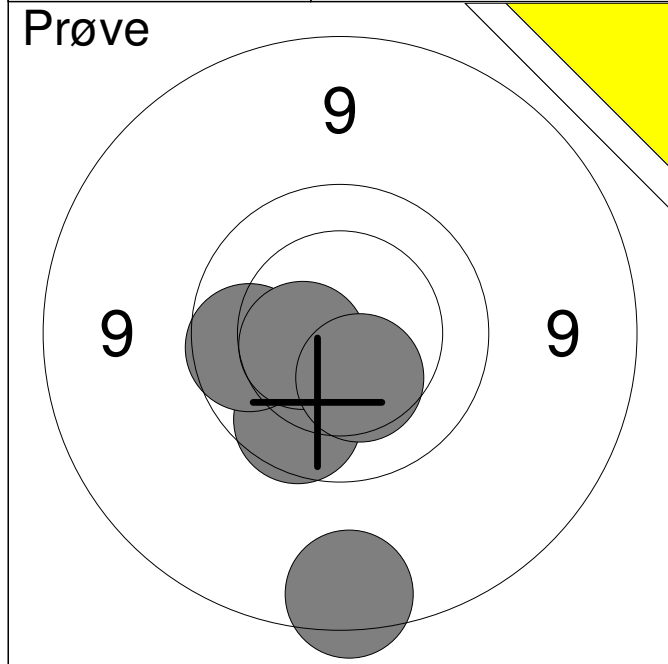


1:	9.7	↖
2:	9.6	↗
3:	10.3	↗
4:	9.6	↗
5:	*10.6	↖
6:	9.5	↗
7:	9.8	↓
8:	10.4	→
9:	10.4	↗
10:	10.1	↓
Serie		95.0
Total		95.0

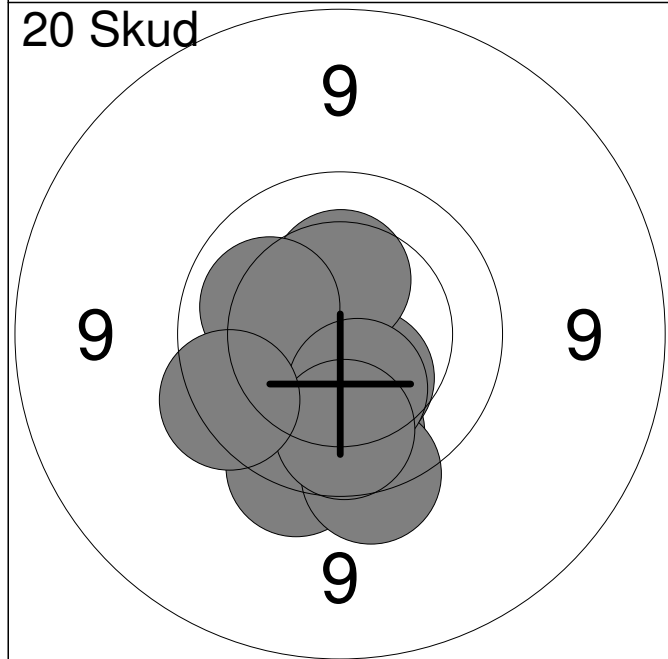


11:	9.9	↖
12:	9.9	↖
13:	9.2	↓
14:	9.5	↑
15:	9.7	↓
16:	10.2	↗
17:	9.5	→
18:	9.1	↓
19:	10.2	↗
20:	8.6	↘
Serie		91.0
Total		186.0

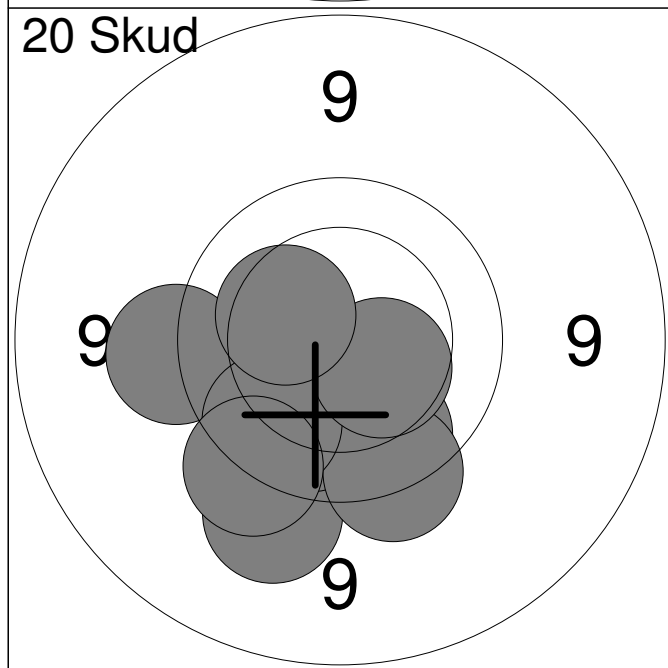
Hold 22	Skive 3	Jens Niss	
15m	Mou & Omegns Skf.	ÅK3	
26.02.2013	NM Senior 2013	Aalborg Skyttekreds	
Prøve 		1: 8.8 ↓ 2: 9.6 ↑ 3: *10.5 ↑ 4: *10.8 ↑ 5: 10.4 ↑ 6: 10.1 → 7: 10.4 ↑ 8: 9.6 → 9: 9.7 ↓ 10: 9.6 →	
		Serie	94.0
		Total	0.0
20 Skud 		1: 9.5 → 2: 10.5 ↑ 3: 9.7 ↓ 4: 10.3 ↓ 5: 9.9 ← 6: *10.7 ← 7: 10.5 ← 8: 9.9 ← 9: *10.7 → 10: 9.9 →	
		Serie	95.0
		Total	95.0
20 Skud 		11: *10.6 → 12: 10.0 → 13: *10.5 ↑ 14: 8.9 ← 15: 10.4 ↓ 16: *10.7 ↑ 17: 9.8 ↑ 18: 10.4 ↑ 19: 10.2 ↓ 20: 9.7 ←	
		Serie	96.0
		Total	191.0



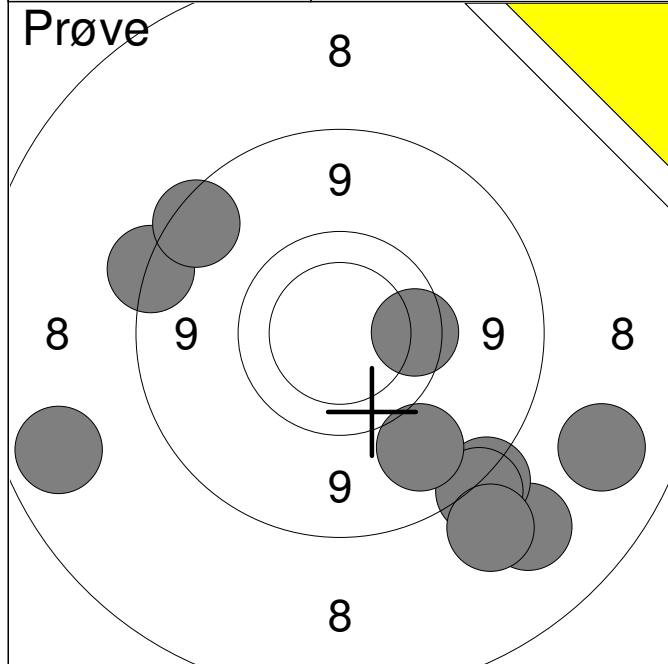
1:	8.8	↓
2:	9.9	↙
3:	9.9	←
4:	*10.5	↙
5:	10.4	↓
Serie		46.0
Total		0.0



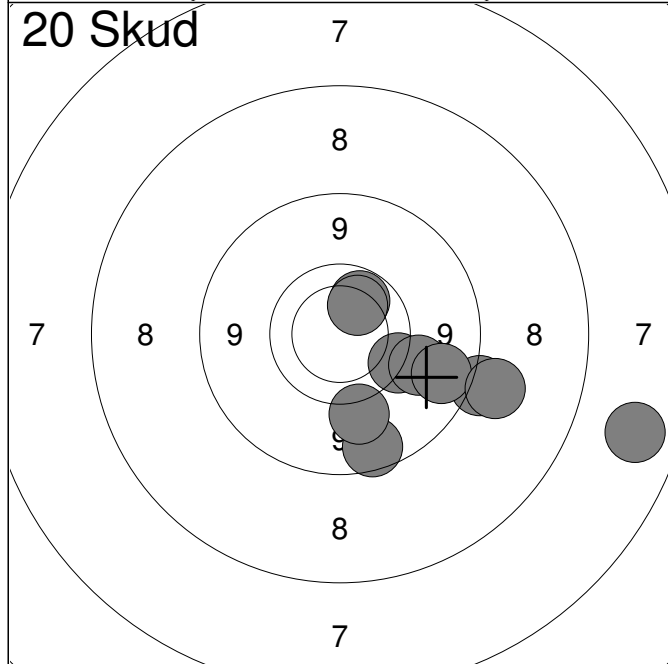
1:	9.9	↓
2:	10.4	↓
3:	*10.5	↙
4:	9.7	↓
5:	9.6	↓
6:	10.4	↑
7:	10.1	↗
8:	10.3	↓
9:	9.9	↓
10:	9.7	↙
Serie		95.0
Total		95.0



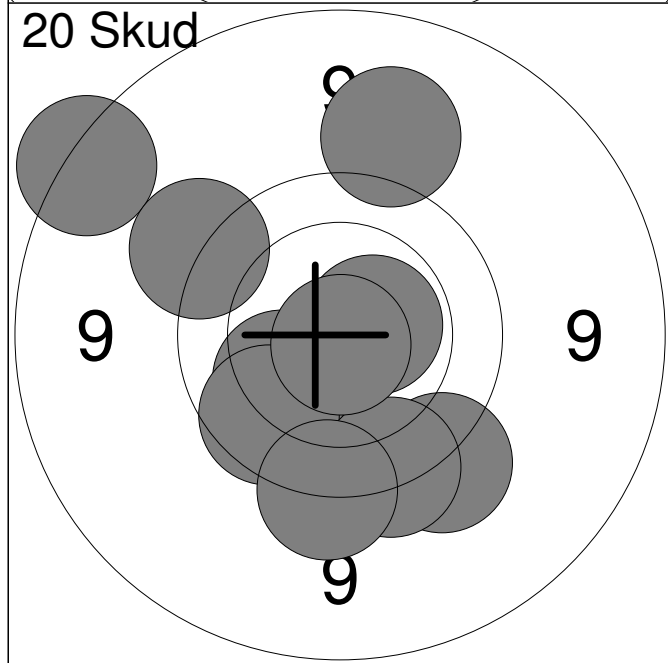
11:	9.9	↓
12:	10.2	↓
13:	9.5	←
14:	9.4	↙
15:	10.0	↓
16:	9.6	↓
17:	9.9	↙
18:	9.6	↙
19:	10.4	↓
20:	10.3	↗
Serie		94.0
Total		189.0



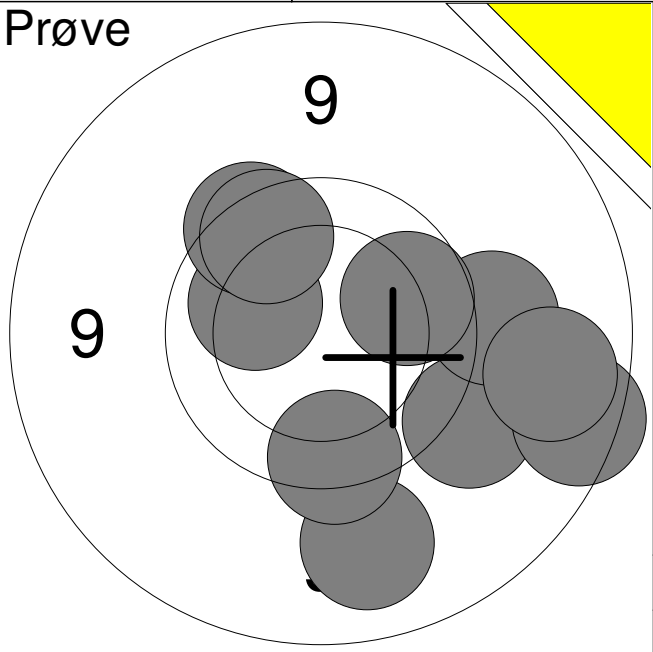
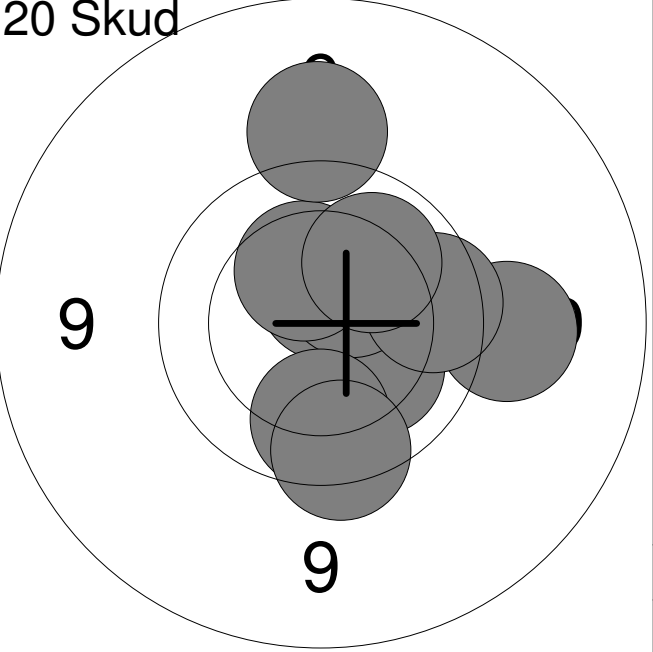
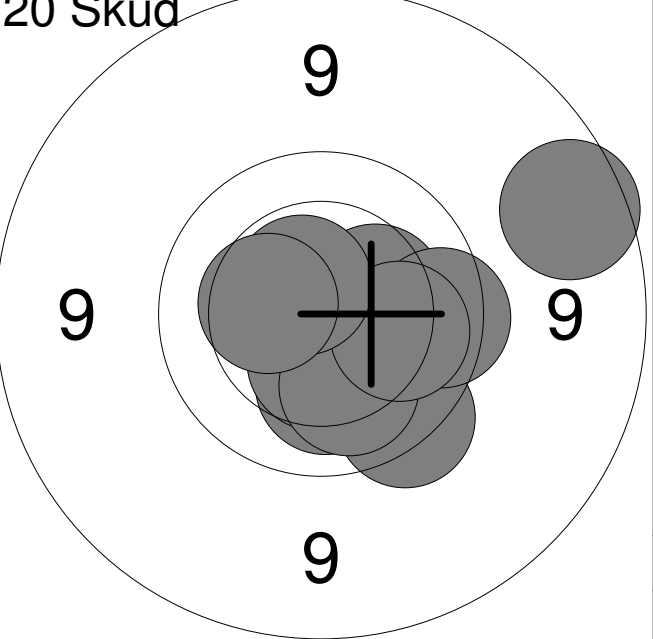
1:	8.0	←
2:	8.7	↗
3:	8.8	↗
4:	8.3	↘
5:	9.8	→
6:	8.2	↘
7:	8.6	↘
8:	8.6	↘
9:	8.4	↘
10:	9.2	↘
Serie		82.0
Total		0.0

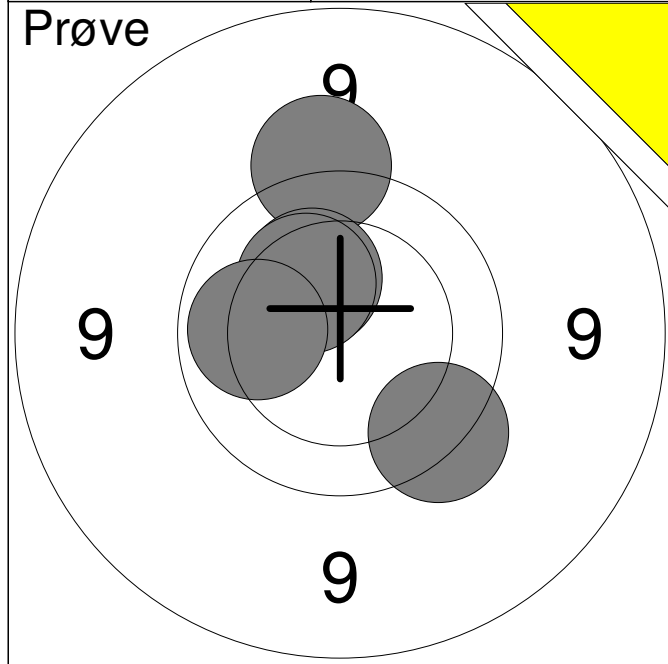


1:	8.6	→
2:	7.1	→
3:	9.6	↘
4:	10.0	↗
5:	9.3	→
6:	9.0	↘
7:	8.4	→
8:	8.9	↘
9:	10.1	↗
10:	9.3	↘
Serie		87.0
Total		87.0

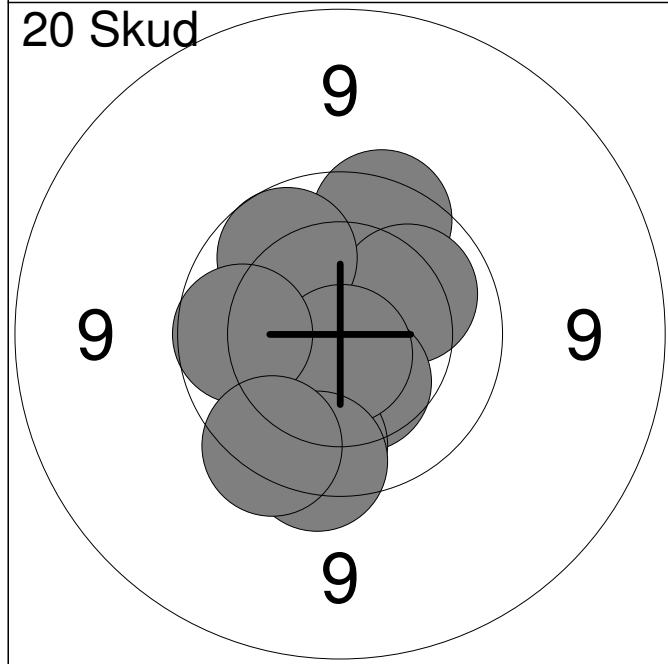


11:	8.8	↗
12:	9.3	↗
13:	9.5	↘
14:	10.2	↖
15:	9.9	↖
16:	9.6	↖
17:	*10.6	→
18:	9.5	↗
19:	*10.8	↘
20:	9.6	↘
Serie		92.0
Total		179.0

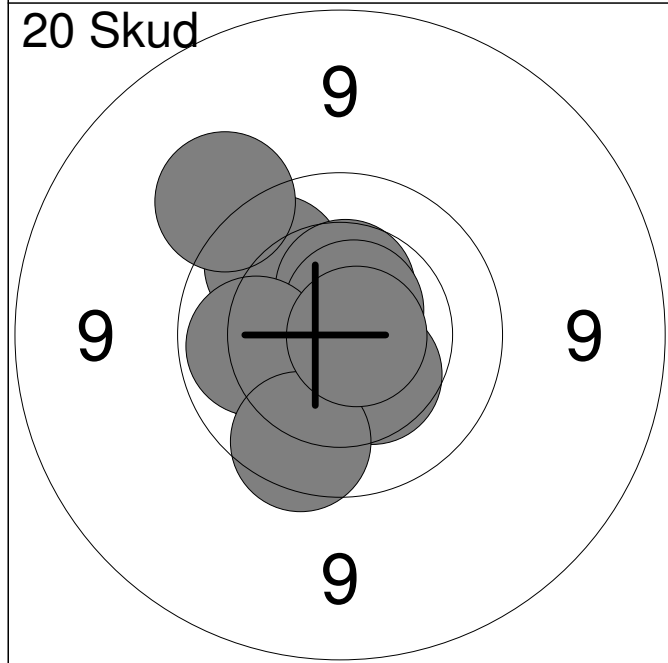
Hold	Skive	Kåre L. Nielsen		
22	6	Mou & Omegns Skf.	ÅK3	
15m				
26.02.2013	NM Senior 2013	Aalborg Skyttekreds		
Prøve				
		1:	9.1	↓
		2:	9.7	↓
		3:	9.4	↓
		4:	8.8	↓
		5:	9.4	→
		6:	9.9	→
		7:	9.0	→
		8:	10.1	↗
		9:	9.7	↗
		10:	9.8	↗
		Serie		90.0
		Total		0.0
20 Skud				
		1:	10.2	↓
		2:	9.4	→
		3:	*10.6	↑
		4:	10.4	↗
		5:	9.8	→
		6:	10.4	↑
		7:	9.9	↓
		8:	9.7	↓
		9:	9.3	↑
		10:	10.1	↗
		Serie		95.0
		Total		95.0
20 Skud				
		11:	9.7	↓
		12:	10.3	→
		13:	10.2	↓
		14:	10.4	↓
		15:	8.9	→
		16:	10.1	↓
		17:	9.8	→
		18:	10.1	→
		19:	*10.6	↗
		20:	10.4	←
		Serie		96.0
		Total		191.0



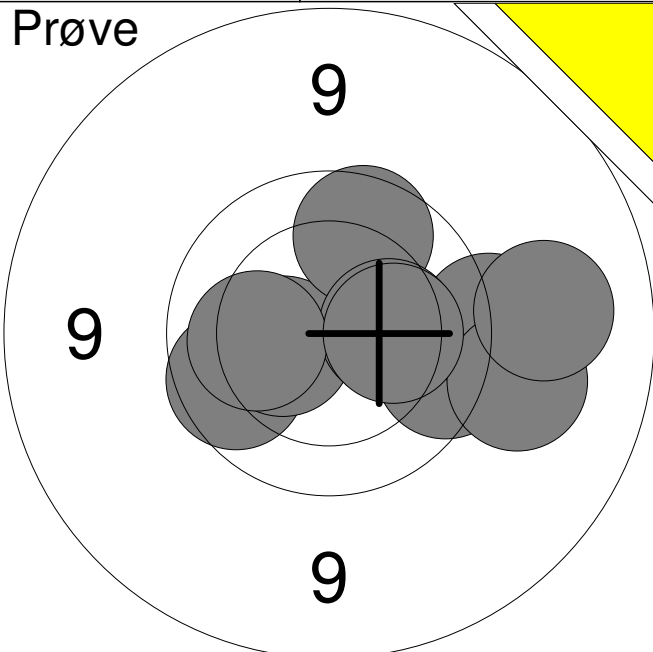
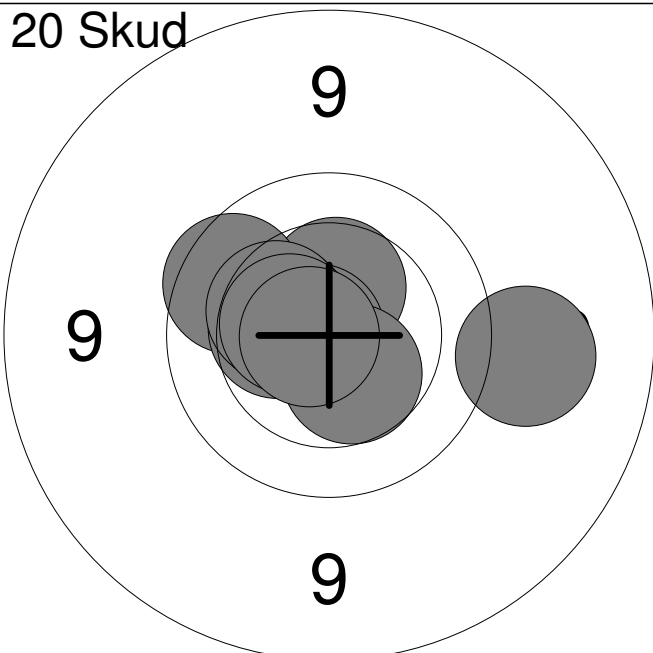
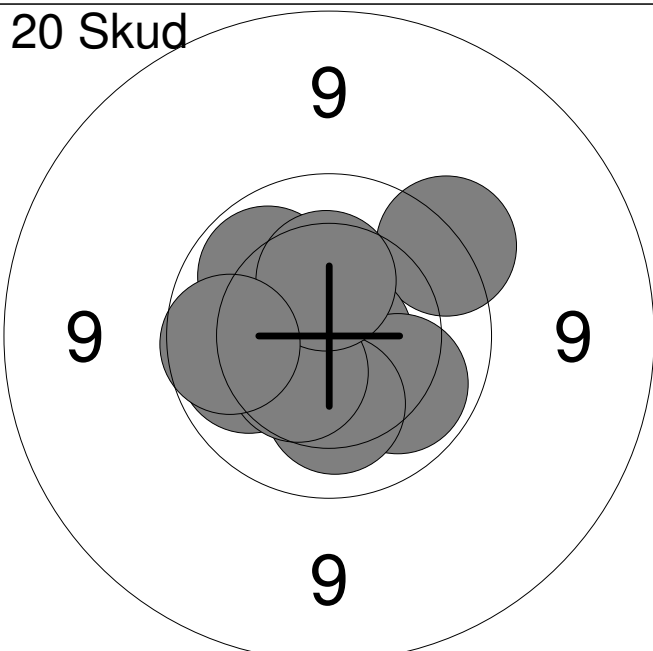
1:	9.5	↑
2:	9.7	↘
3:	10.3	↗
4:	10.3	↗
5:	10.1	←
Serie		48.0
Total		0.0

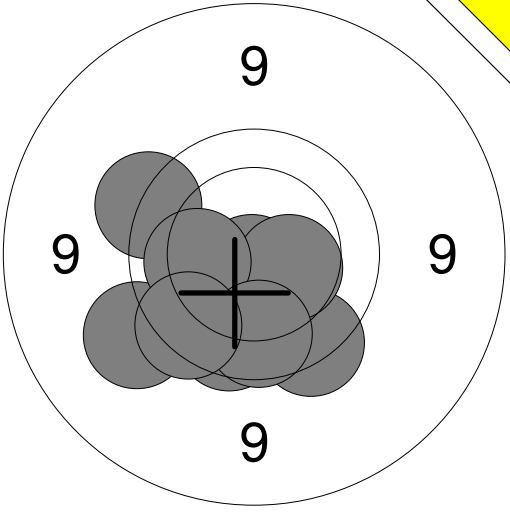
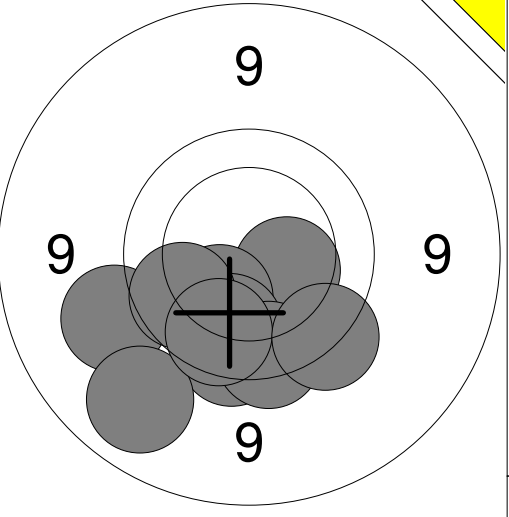


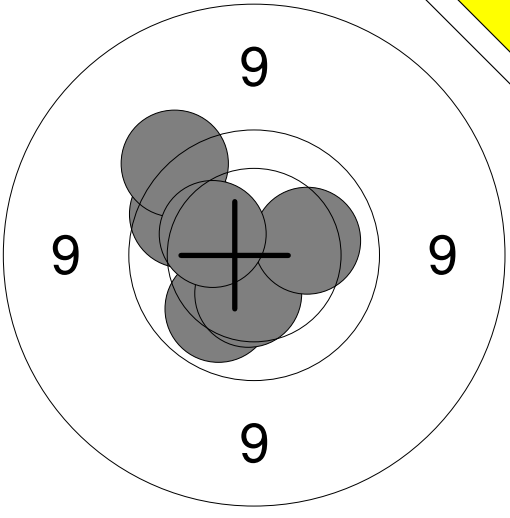
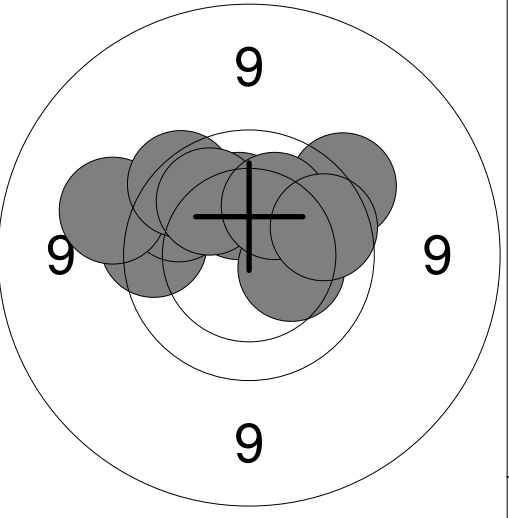
1:	9.8	↗
2:	10.1	↗
3:	9.9	↗
4:	10.4	↖
5:	10.4	↘
6:	9.8	↘
7:	*10.7	↘
8:	9.7	↘
9:	9.9	←
10:	9.7	↘
Serie		94.0
Total		94.0

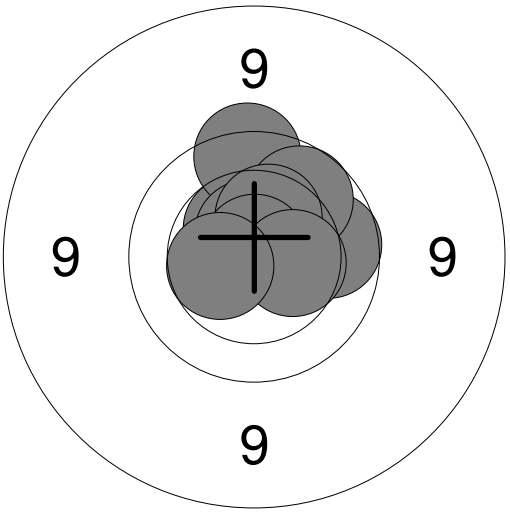


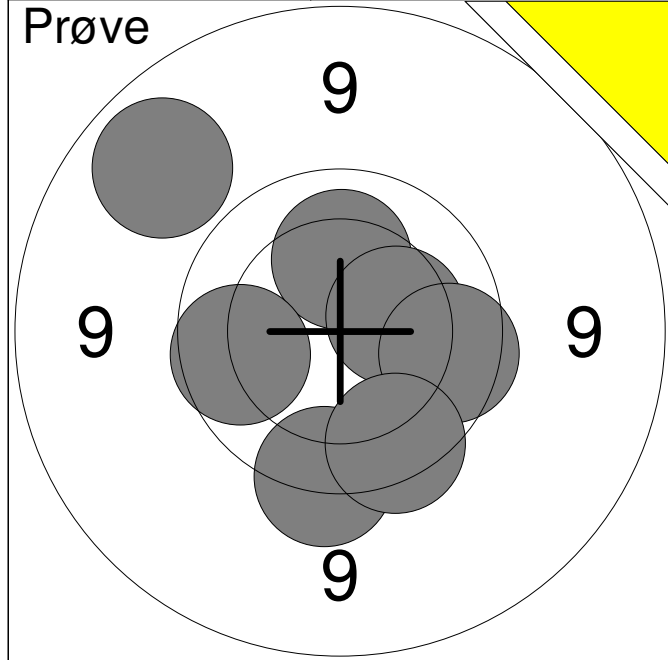
11:	*10.8	↘
12:	10.3	↖
13:	9.9	↗
14:	10.5	↑
15:	*10.6	↗
16:	10.0	←
17:	10.4	↘
18:	9.4	↗
19:	9.8	↘
20:	*10.8	→
Serie		97.0
Total		191.0

Hold	Skive	René Stricker Jensen	
22	8	15m	Vodskov Skytteforening
26.02.2013	NM Senior 2013	Aalborg Skyttekreds	
Prøve 	1:	9.9	←
	2:	10.4	←
	3:	9.8	→
	4:	9.5	→
	5:	9.9	↑
	6:	9.3	→
	7:	9.2	→
	8:	10.3	→
	9:	10.2	←
	10:	10.3	→
	Serie		94.0
Total		0.0	
20 Skud 	1:	10.4	↑
	2:	*10.8	←
	3:	9.8	↗
	4:	10.4	←
	5:	10.4	↗
	6:	10.3	↗
	7:	10.5	↘
	8:	*10.5	←
	9:	*10.7	←
	10:	9.3	→
	Serie		98.0
Total		98.0	
20 Skud 	11:	9.6	↗
	12:	10.0	↗
	13:	*10.5	↘
	14:	*10.8	→
	15:	10.0	←
	16:	10.0	↘
	17:	10.2	↘
	18:	10.4	↙
	19:	10.4	↑
	20:	9.9	←
	Serie		98.0
Total		196.0	

Prøve 	1: 9.8 ↓ 2: 9.7 ↓ 3: 9.4 ↙ 4: 9.6 ↖ 5: *10.8 ↓ 6: 10.2 ↙ 7: 10.4 → 8: 10.1 ← 9: 9.9 ↓ 10: 9.7 ↙ <hr/> Serie 94.0 Total 0.0	Prøve 	11: 10.4 → 12: 9.7 ↓ 13: 9.3 ↙ 14: 10.2 ↙ 15: 9.9 ↓ 16: 9.1 ↙ 17: 9.9 ↙ 18: 9.7 ↓ 19: 9.9 ↓ 20: 9.6 ↓ <hr/> Serie 92.0 Total 0.0
---	---	---	---

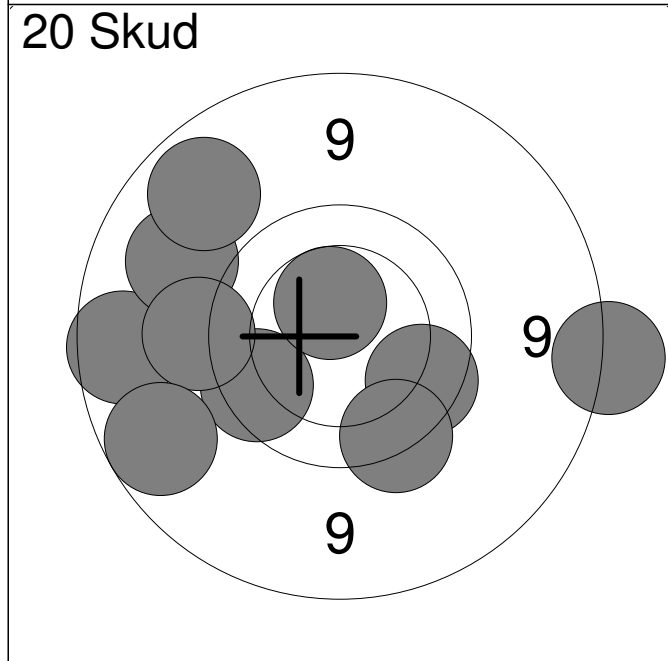
Prøve 	21: 10.1 ↙ 22: 10.4 ↓ 23: 9.9 ↖ 24: 9.5 ↖ 25: 10.2 → 26: 10.3 ↖ <hr/> Serie 58.0 Total 0.0	20 Skud 	1: 9.8 ← 2: 9.8 ↖ 3: 9.4 ← 4: 10.2 ↑ 5: 9.7 ↖ 6: 10.0 ↖ 7: 10.3 → 8: 9.6 ↗ 9: 10.2 ↑ 10: 9.9 → <hr/> Serie 94.0 Total 94.0
--	---	--	---

20 Skud 	11: *10.6 ↑ 12: 9.9 → 13: *10.5 ↖ 14: 9.7 ↑ 15: 9.9 ↗ 16: *10.6 ↖ 17: 10.4 ↑ 18: *10.8 ↑ 19: 10.4 → 20: 10.5 ← <hr/> Serie 97.0 Total 191.0		
---	--	--	--



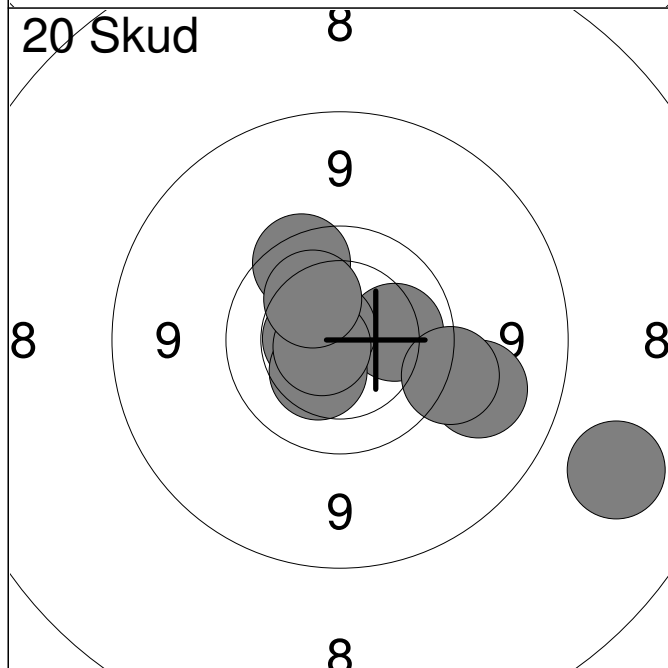
1:	9.0	↗
2:	10.2	↑
3:	9.9	←
4:	9.6	↓
5:	10.3	→
6:	9.8	↘
7:	9.8	↙

Serie	65.0
Total	0.0



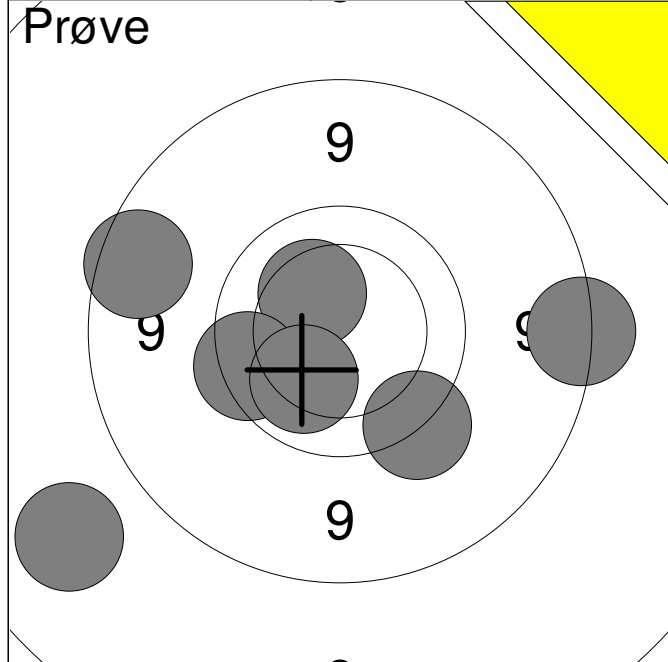
1:	8.9	←
2:	9.2	↗
3:	9.0	↗
4:	9.8	↘
5:	9.8	←
6:	9.7	↓
7:	8.6	→
8:	9.4	←
9:	8.9	←
10:	10.5	↗

Serie	88.0
Total	88.0

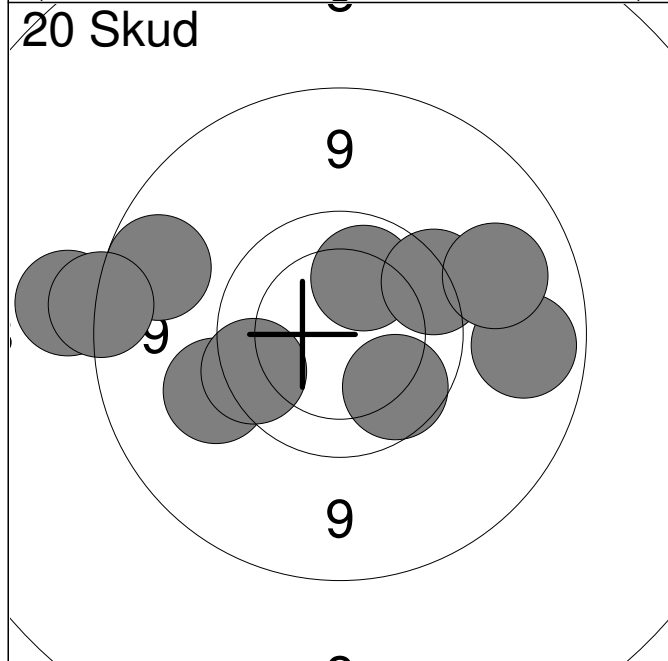


11:	8.2	↘
12:	9.2	→
13:	10.1	→
14:	9.8	↗
15:	*10.7	↗
16:	*10.5	←
17:	10.4	↘
18:	*10.7	←
19:	10.2	↗
20:	9.5	↘

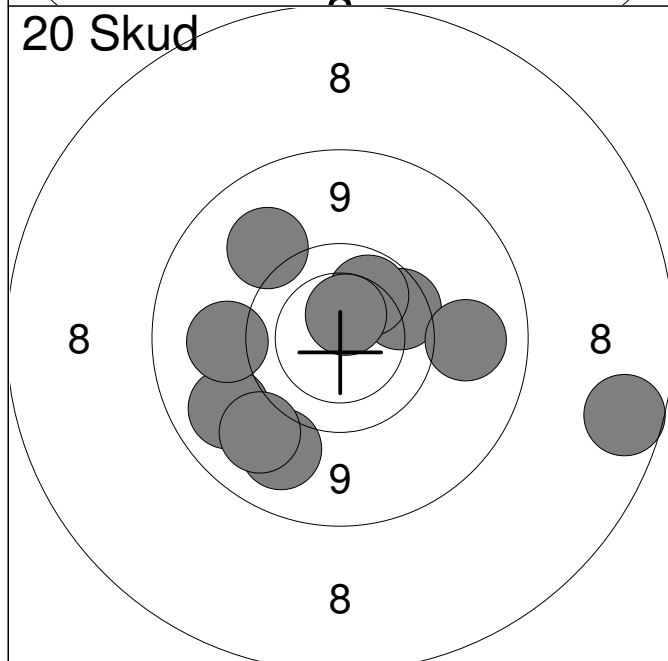
Serie	95.0
Total	183.0



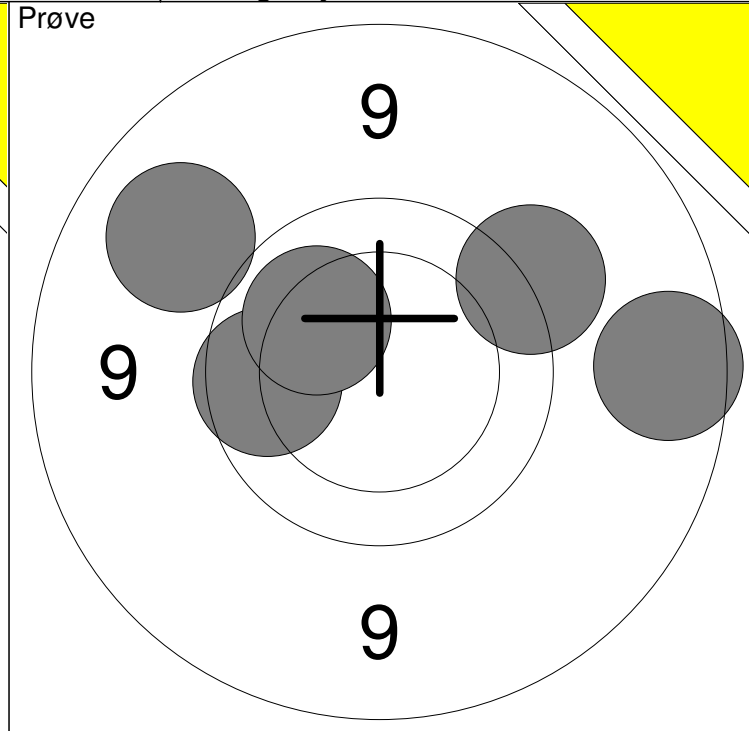
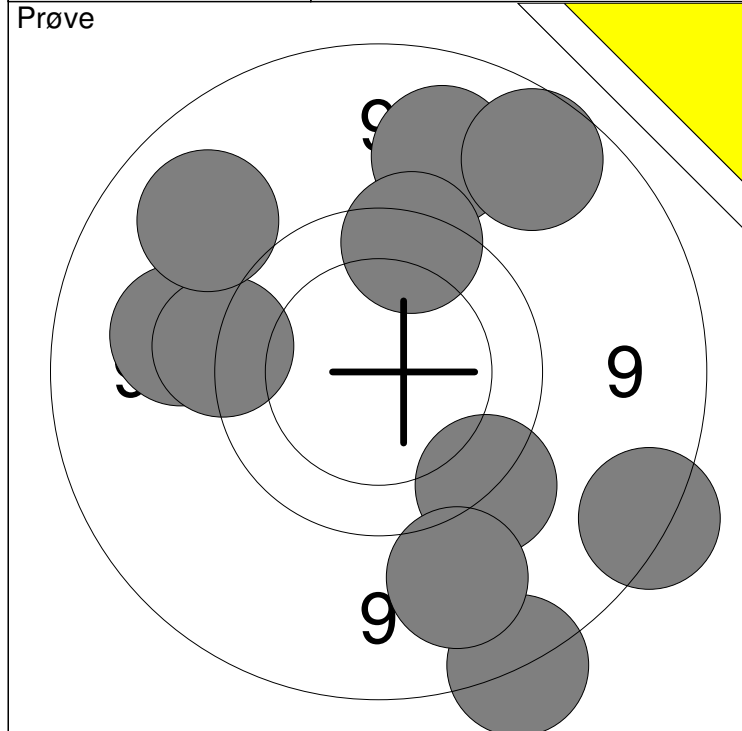
1:	8.7	→
2:	8.9	←
3:	10.3	↗
4:	9.7	←
5:	8.2	↙
6:	9.6	↘
7:	10.1	↙
Serie		62.0
Total		0.0



1:	9.9	↘
2:	10.1	↗
3:	8.5	←
4:	9.6	↗
5:	9.0	→
6:	9.0	←
7:	9.4	←
8:	9.2	→
9:	9.8	←
10:	8.7	←
Serie		89.0
Total		89.0

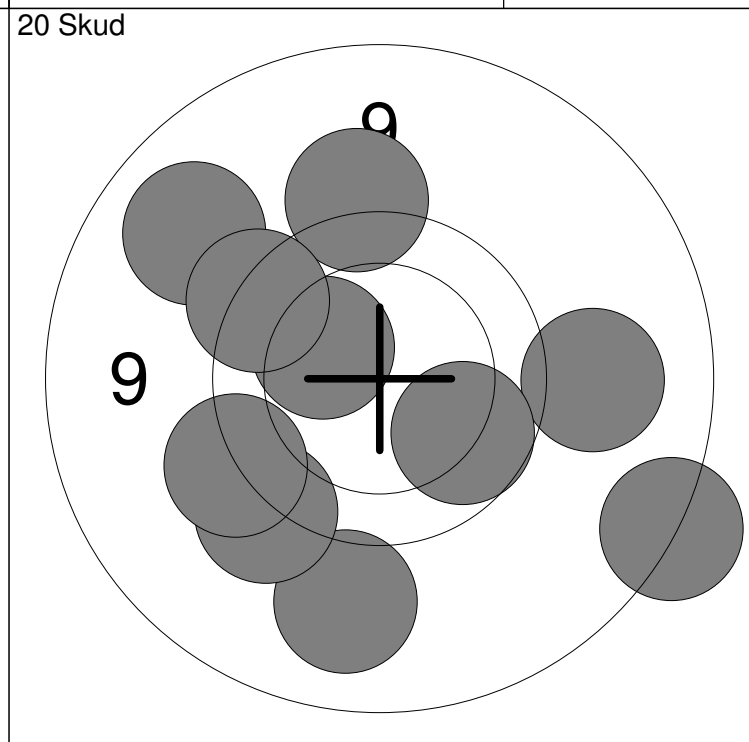
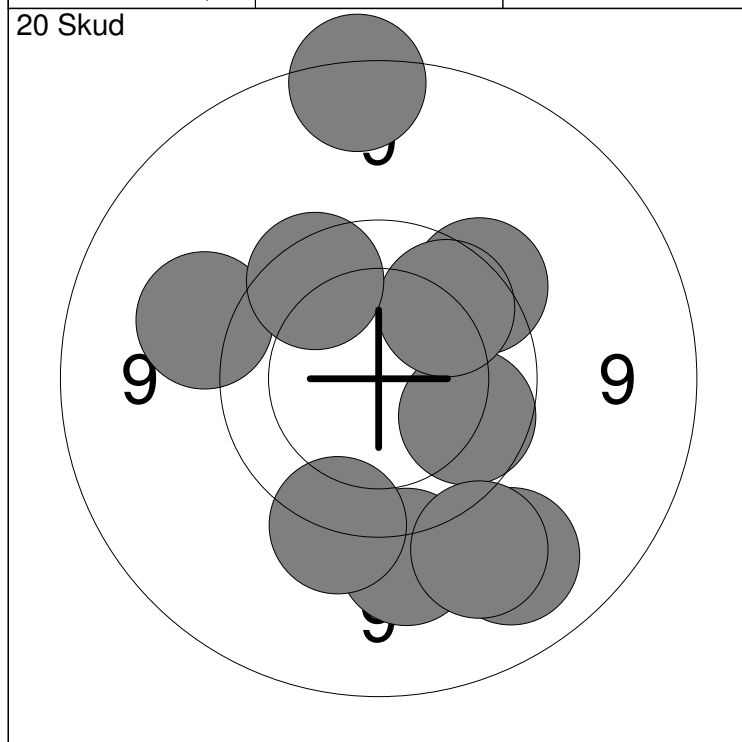


11:	9.3	↗
12:	9.1	←
13:	9.3	←
14:	9.8	→
15:	9.2	→
16:	10.0	↗
17:	*10.5	↗
18:	9.2	↙
19:	7.9	→
20:	9.2	↙
Serie		90.0
Total		179.0



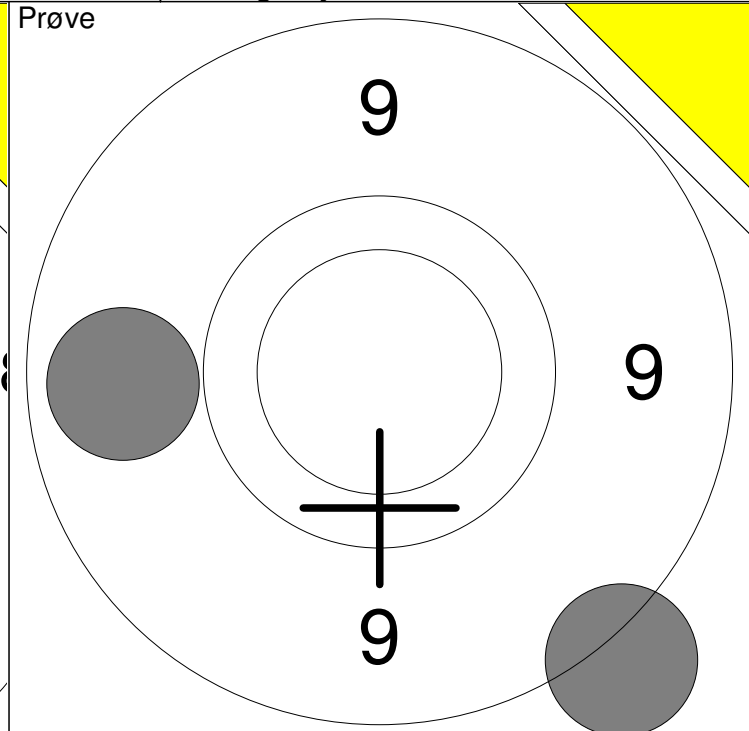
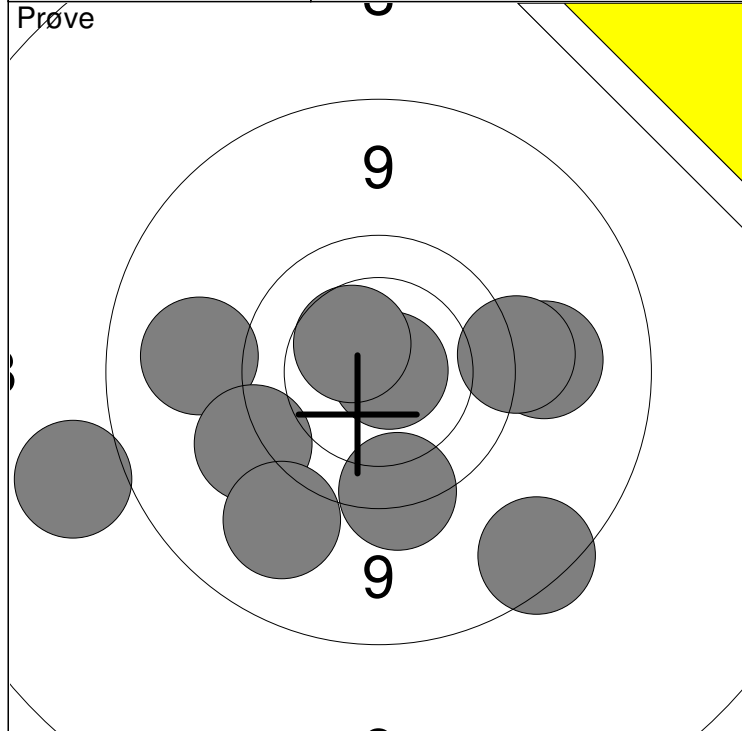
1: 9.6 ↘	6: 9.6 ←	Serie	87.0
2: 9.3 ←	7: 9.1 ↗		
3: 9.2 ↑	8: 9.2 ↓	Total	0.0
4: 8.7 ↓	9: 8.9 ↗		
5: 9.7 ↑	10: 8.8 ↘		

11: 9.5 ↗	Serie	45.0
12: 8.9 →		
13: 9.9 ←	Total	0.0
14: 9.1 ↖		
15: 10.1 ↖		



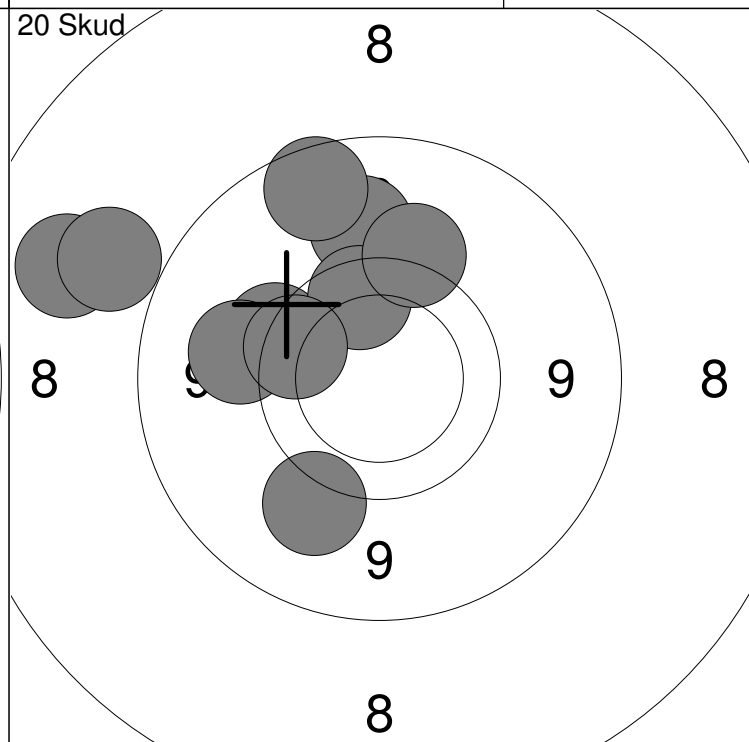
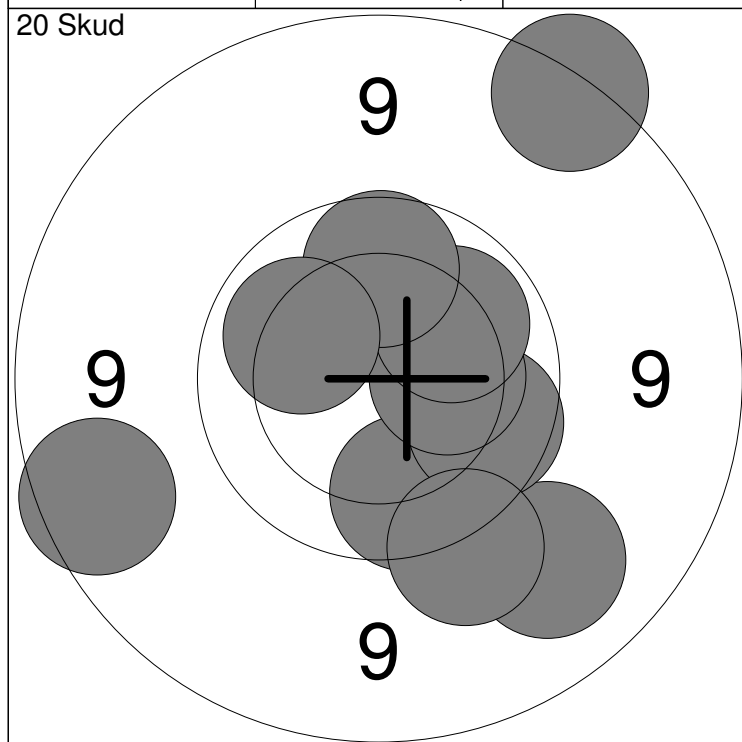
1: 9.9 ↘	6: 9.9 ↗	Serie	89.0
2: 9.1 ↓	7: 9.4 ←		
3: 9.7 ↗	8: 9.6 ↓	Total	89.0
4: 9.4 ↓	9: 9.8 ↗		
5: 9.3 ↓	10: 8.8 ↑		

11: 9.4 ↑	16: 9.2 ↓	Serie	90.0
12: 10.3 ↖	17: 9.7 ↖		
13: 9.1 ↖	18: 9.5 ↓	Total	179.0
14: 9.2 →	19: 9.5 ←		
15: 9.9 ↘	20: 8.7 ↘		



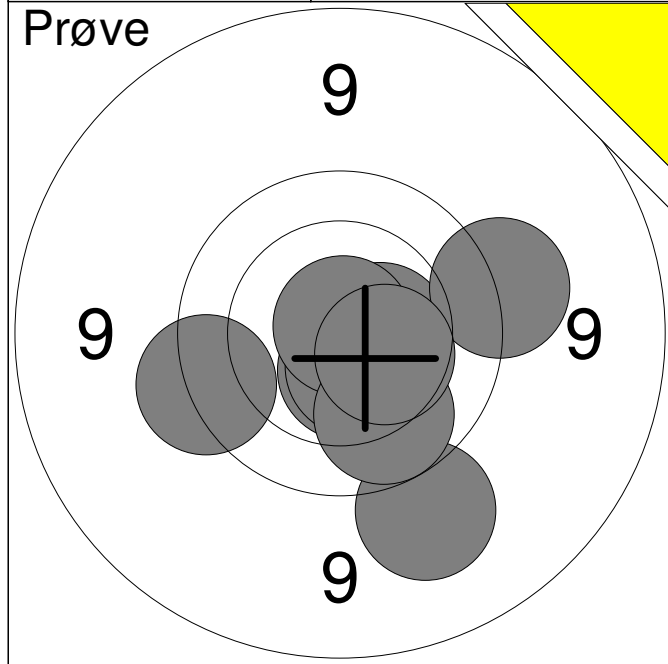
1: 8.8 ↘	6: 9.3 →	Serie	90.0
2: *10.8 →	7: 9.5 ↙		
3: 9.2 ←	8: 9.2 ↘	Total	0.0
4: 10.5 ↗	9: 9.5 →		
5: 8.4 ←	10: 9.6 ↓		

11: 8.6 ↘	Serie	17.0
12: 9.1 ←		
Total		0.0

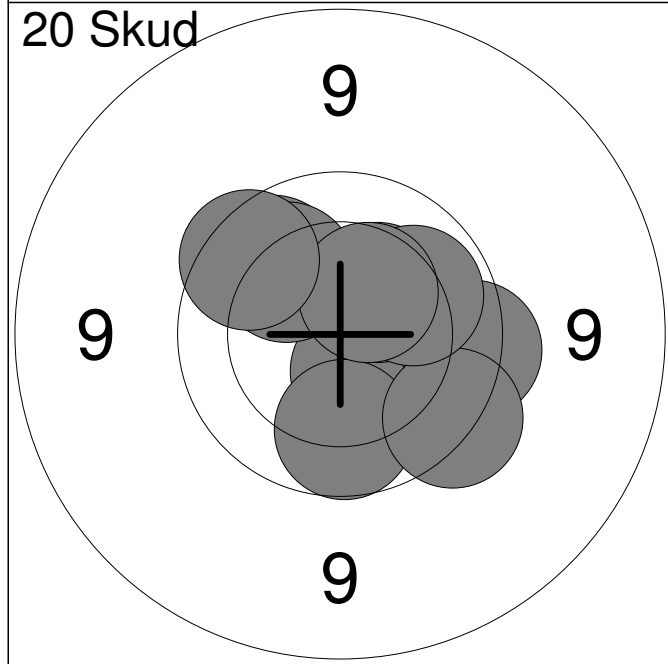


1: 9.9 ↓	6: 10.1 ↗	Serie	91.0
2: 9.2 ↓	7: 9.9 ↑		
3: 9.9 →	8: 8.7 ↗	Total	91.0
4: 8.9 ←	9: 9.5 ↓		
5: 10.3 →	10: 10.1 ↖		

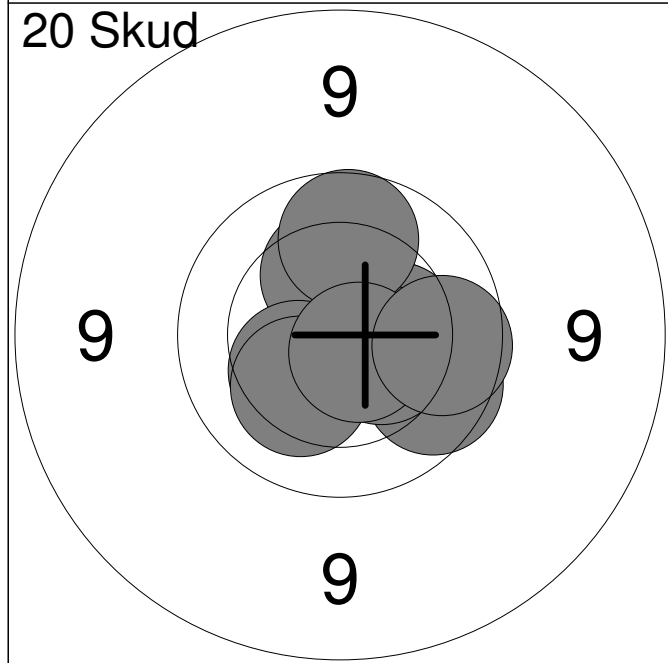
11: 9.3 ↑	16: 9.4 ←	Serie	87.0
12: 9.6 ↖	17: 9.8 ↖		
13: 9.8 ↑	18: 8.2 ↖	Total	178.0
14: 9.4 ↘	19: 8.9 ↑		
15: 9.5 ↑	20: 8.4 ↖		



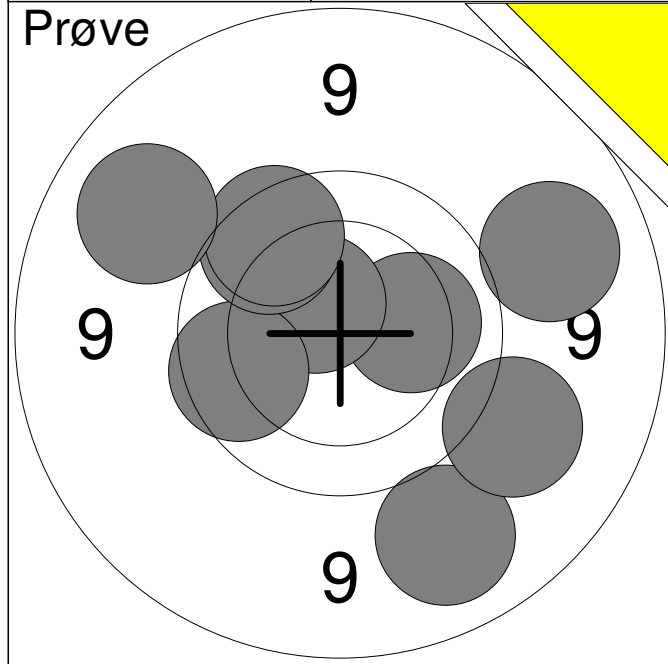
1:	9.3	↘
2:	*10.5	→
3:	9.6	↙
4:	*10.5	↘
5:	*10.6	↘
6:	9.5	→
7:	*10.9	↗
8:	10.0	↘
9:	10.4	↘
Serie		87.0
Total		0.0



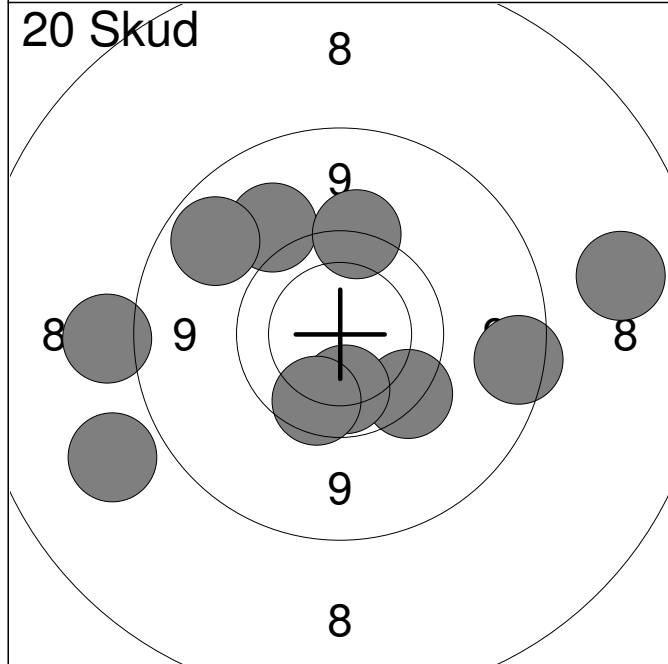
1:	10.5	↘
2:	9.9	↘
3:	9.9	↗
4:	10.1	↗
5:	9.7	→
6:	10.3	↗
7:	9.7	↘
8:	10.0	↗
9:	10.4	↗
10:	9.8	↗
Serie		95.0
Total		95.0



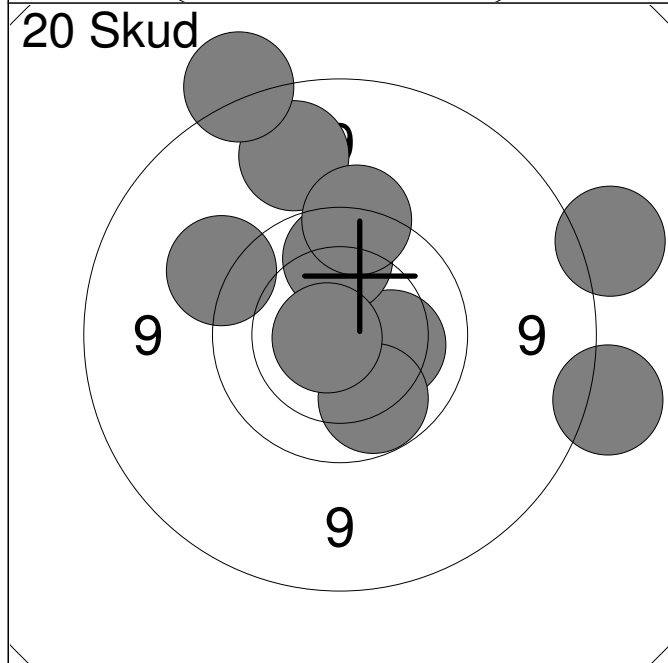
11:	9.9	↘
12:	10.4	→
13:	10.3	↗
14:	10.4	→
15:	10.5	↘
16:	10.4	↙
17:	9.9	↗
18:	10.2	↙
19:	*10.7	↘
20:	9.9	→
Serie		97.0
Total		192.0



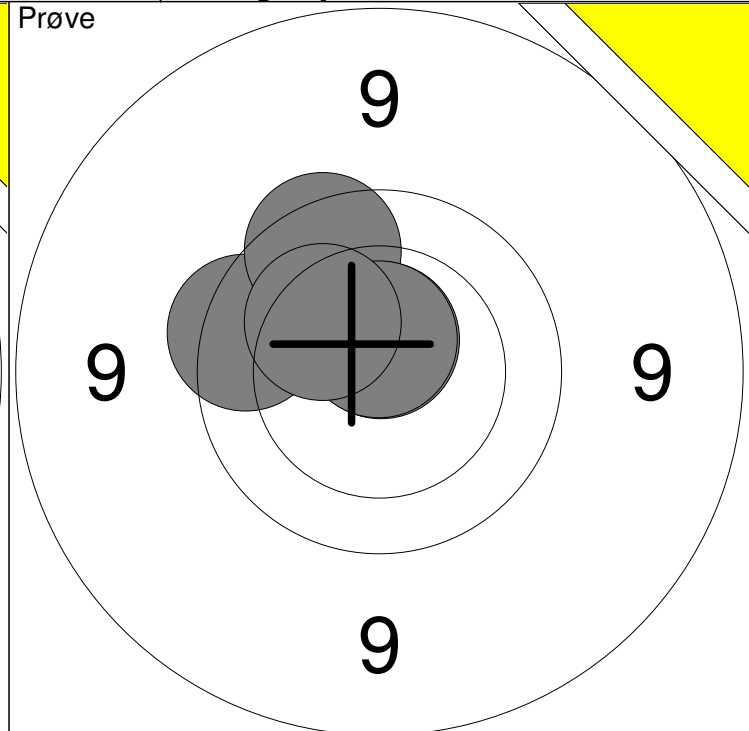
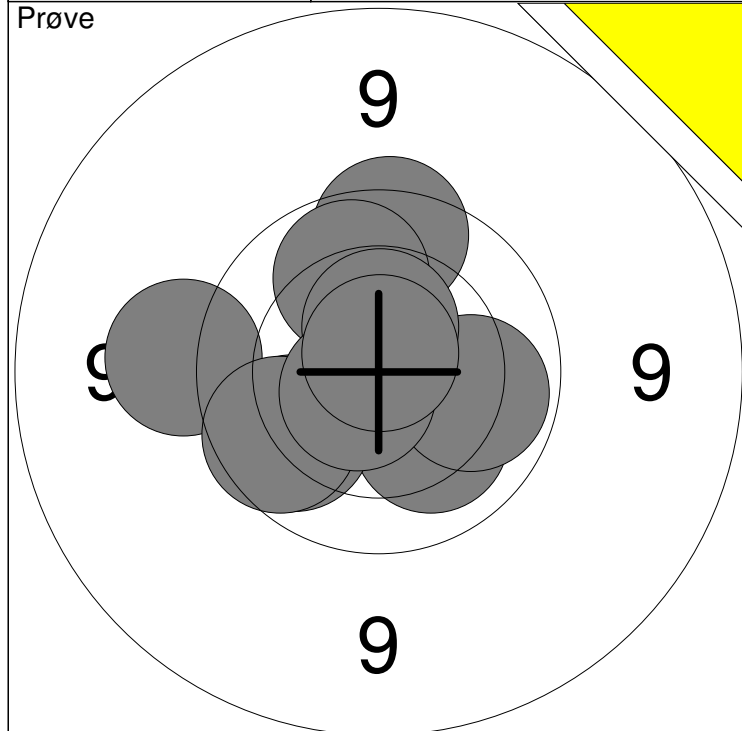
1:	10.2	→
2:	*10.5	↗
3:	9.9	←
4:	9.8	↗
5:	9.8	↗
6:	9.1	↘
7:	9.3	↘
8:	9.1	↗
9:	9.1	→
Serie		83.0
Total		0.0



1:	9.3	↗
2:	9.6	↘
3:	8.2	→
4:	9.5	↑
5:	10.0	↘
6:	9.0	↗
7:	8.5	←
8:	8.8	→
9:	9.8	↘
10:	8.3	↙
Serie		87.0
Total		87.0

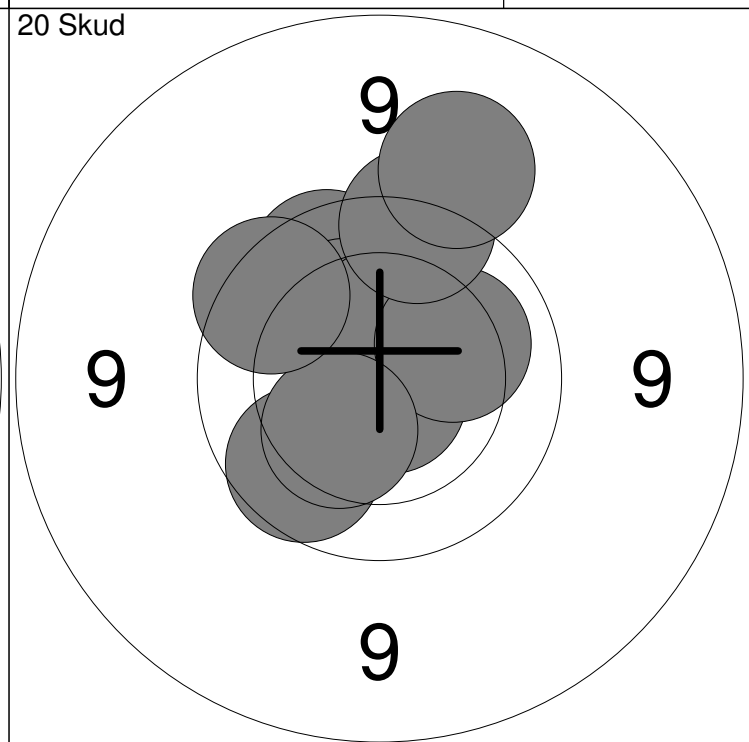
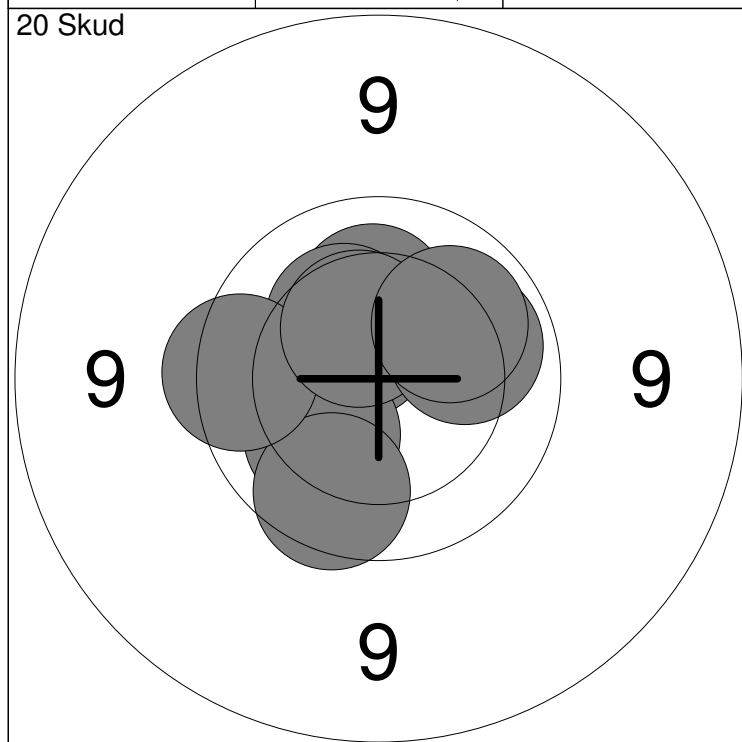


11:	10.2	→
12:	9.9	↑
13:	8.5	→
14:	10.0	↘
15:	*10.8	←
16:	9.1	↑
17:	9.6	↑
18:	8.6	↗
19:	9.5	↗
20:	8.6	→
Serie		90.0
Total		177.0



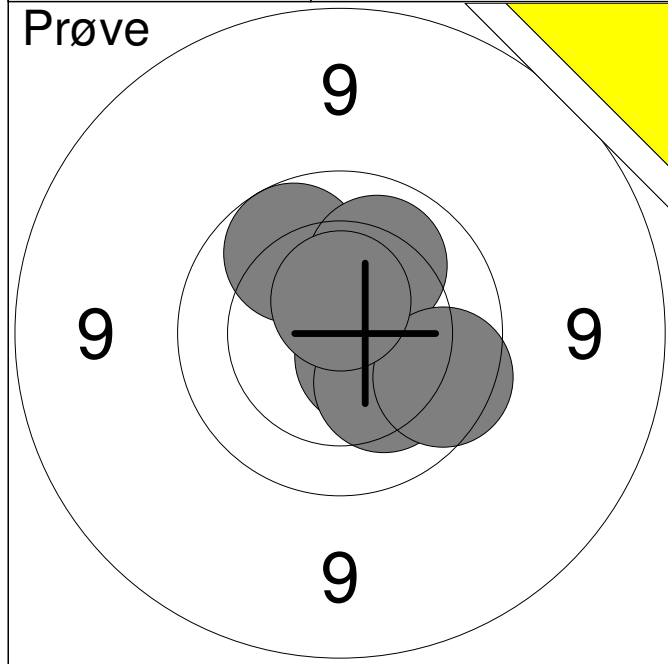
1: 9.4 ←	6: *10.5↑	Serie	96.0
2: 10.2 ↘	7: 9.9 ↙		
3: 9.8 ↑	8: 9.9 ↙	Total	0.0
4: 10.0 →	9: *10.7↙		
5: 10.0 ↑	10: *10.8↑		

11: 9.8 ←	Serie	48.0
12: 9.8 ↗		
13: *10.6↑	Total	0.0
14: *10.6↑		
15: 10.2 ↘		

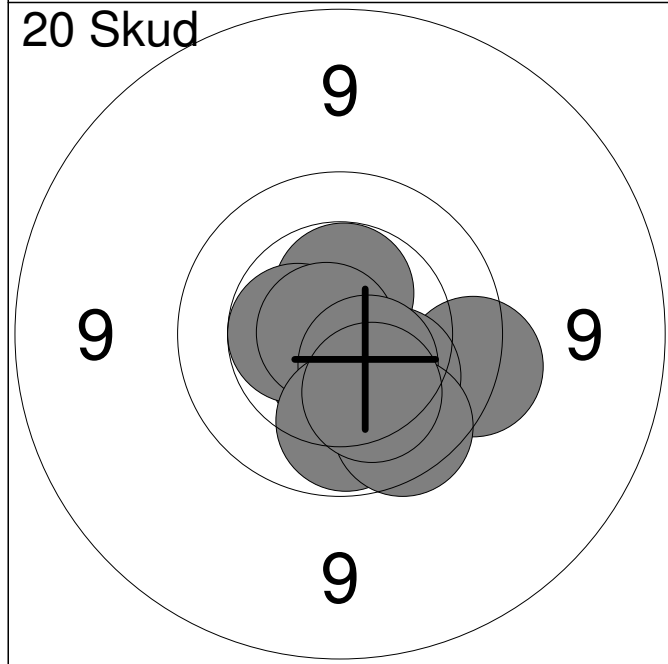


1: 10.2 ↑	6: 9.8 ↘	Serie	98.0
2: *10.5↘	7: 9.8 ←		
3: 10.2 ←	8: 10.4 ↗	Total	98.0
4: 10.3 ↗	9: 10.1 →		
5: 10.2 ↘	10: 10.1 ↗		

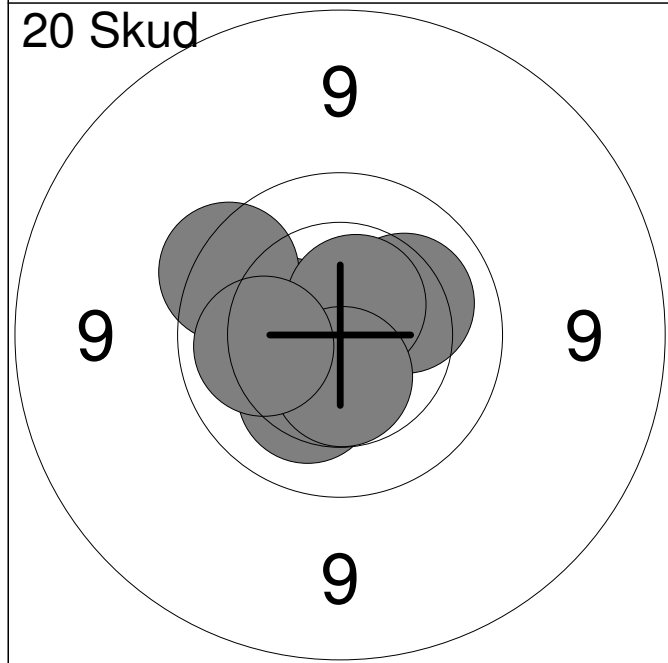
11: *10.8↘	16: 10.2 →	Serie	95.0
12: 9.9 ↙	17: 10.3 ↙		
13: 9.8 ↗	18: 9.7 ↑	Total	193.0
14: 10.3 ↗	19: 9.8 ↙		
15: 10.4 ↑	20: 9.3 ↑		



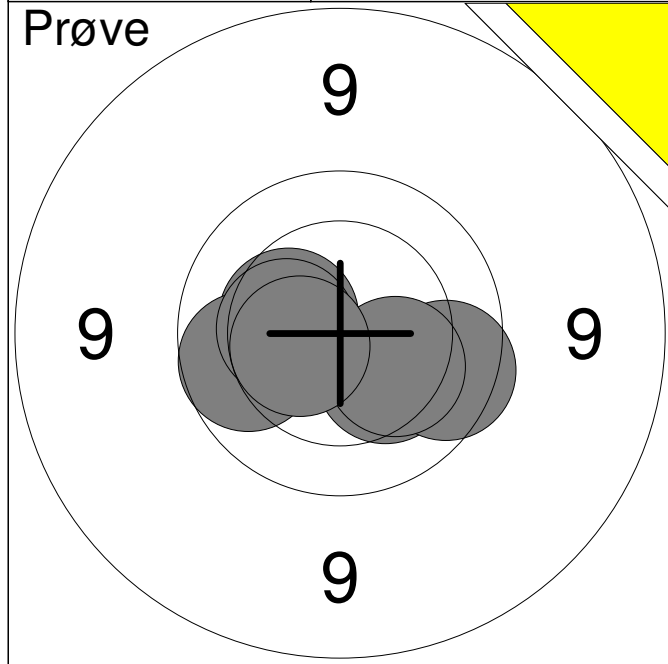
1:	10.0	↗
2:	*10.6	↘
3:	10.1	↗
4:	10.2	↘
5:	9.8	↘
6:	*10.6	↑
Serie		59.0
Total		0.0



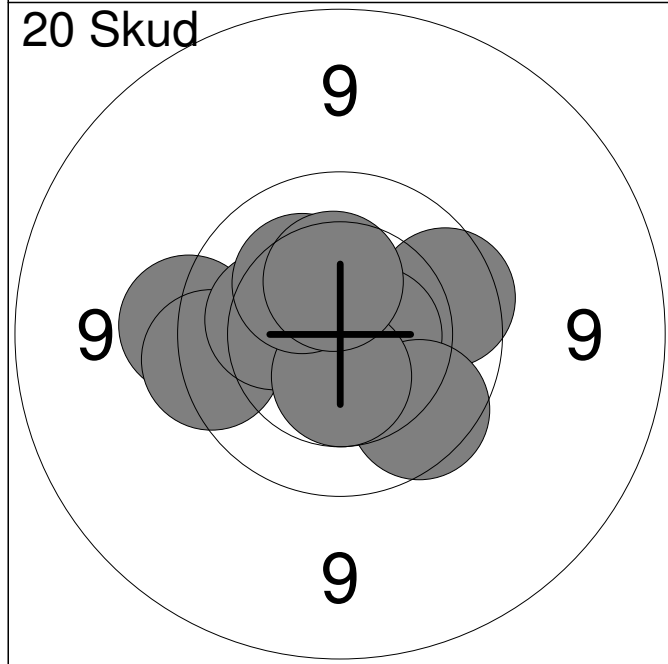
1:	*10.6	↓
2:	*10.5	↑
3:	*10.5	←
4:	*10.8	←
5:	9.7	↘
6:	10.2	↘
7:	*10.5	↘
8:	10.0	↓
9:	9.8	↘
10:	10.2	↓
Serie		98.0
Total		98.0



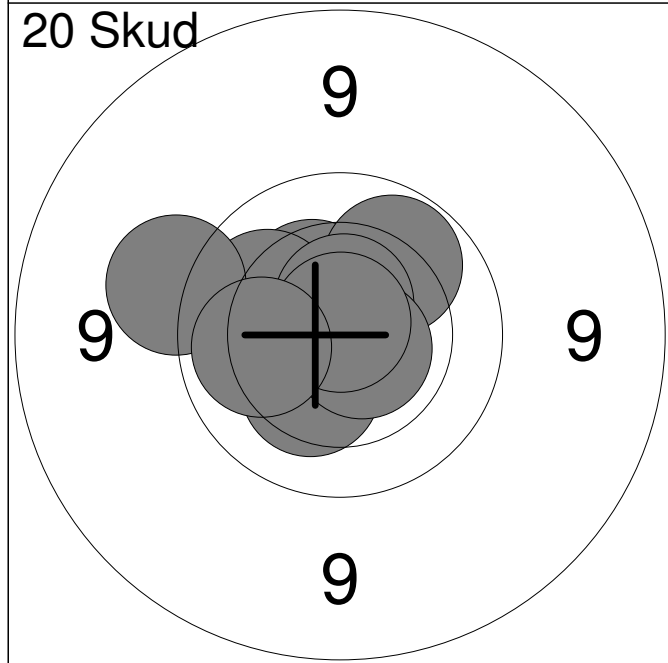
11:	*10.5	↗
12:	10.2	↗
13:	10.4	←
14:	*10.5	↘
15:	9.7	↗
16:	10.2	↘
17:	*10.8	↘
18:	*10.6	↗
19:	*10.5	↓
20:	10.1	←
Serie		99.0
Total		197.0



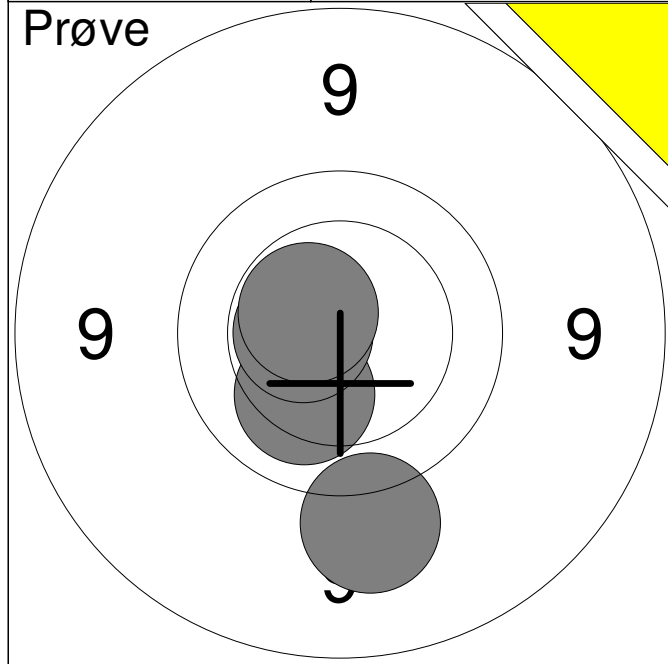
1:	10.3	↘
2:	9.8	→
3:	10.3	↘
4:	10.4	↖
5:	9.9	←
6:	10.4	←
7:	*10.5	←
Serie		68.0
Total		0.0



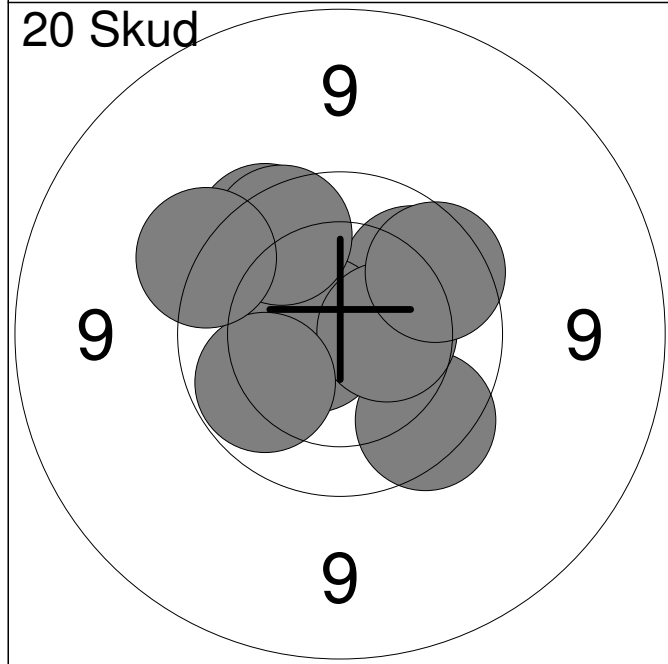
1:	9.6	←
2:	10.5	↗
3:	9.7	←
4:	9.8	→
5:	*10.6	→
6:	9.8	↘
7:	10.2	←
8:	10.5	↓
9:	10.3	↗
10:	10.4	↑
Serie		96.0
Total		96.0



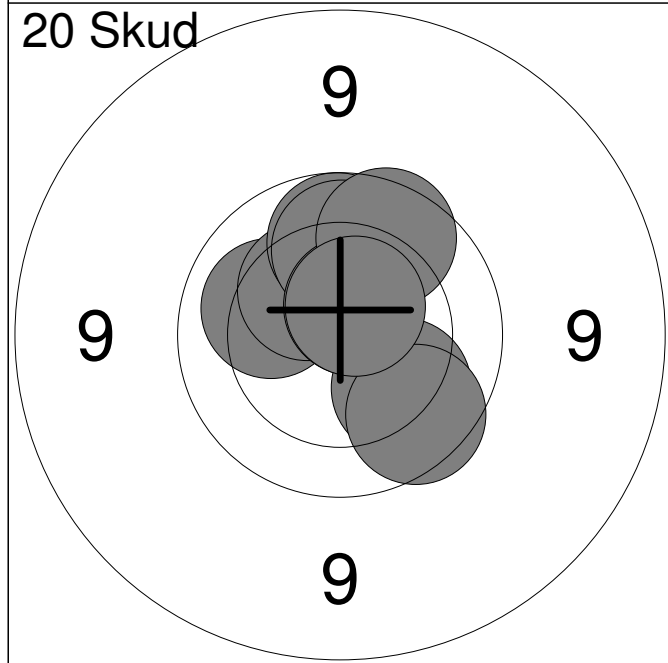
11:	*10.5	←
12:	10.4	↗
13:	10.0	↗
14:	10.3	↘
15:	10.1	↗
16:	9.5	←
17:	*10.6	↑
18:	*10.7	↘
19:	*10.8	↑
20:	10.1	←
Serie		99.0
Total		195.0



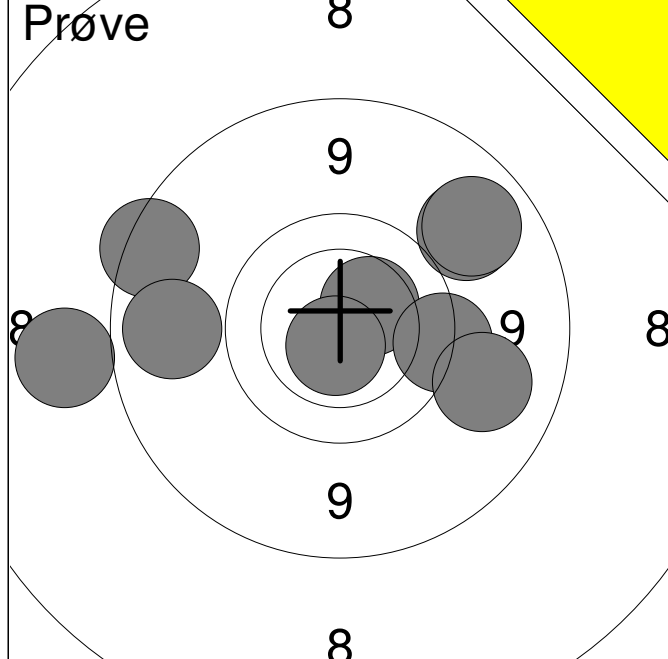
1:	9.3	↓
2:	10.2	↙
3:	*10.5	←
4:	*10.5	↗
Serie		39.0
Total		0.0



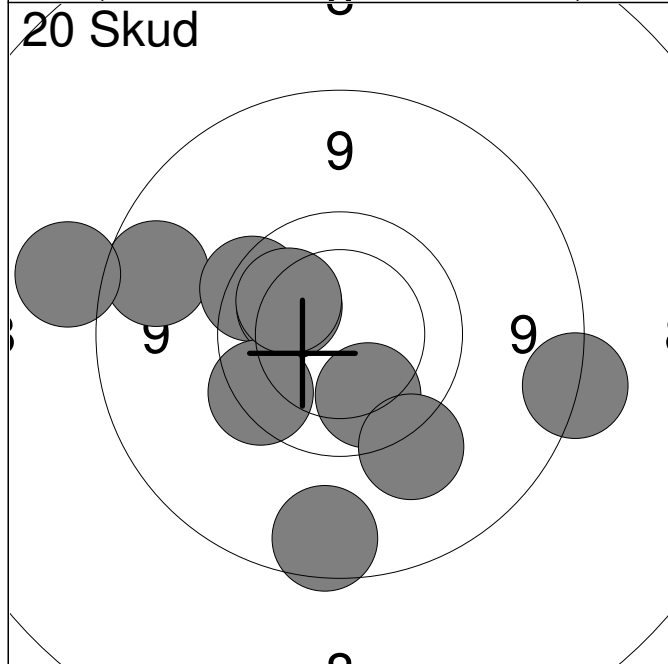
1:	9.7	↗
2:	9.9	↘
3:	9.8	↓
4:	*10.7	↖
5:	*10.6	←
6:	10.4	→
7:	9.8	↗
8:	10.0	↖
9:	9.8	↗
10:	9.6	↖
Serie		94.0
Total		94.0



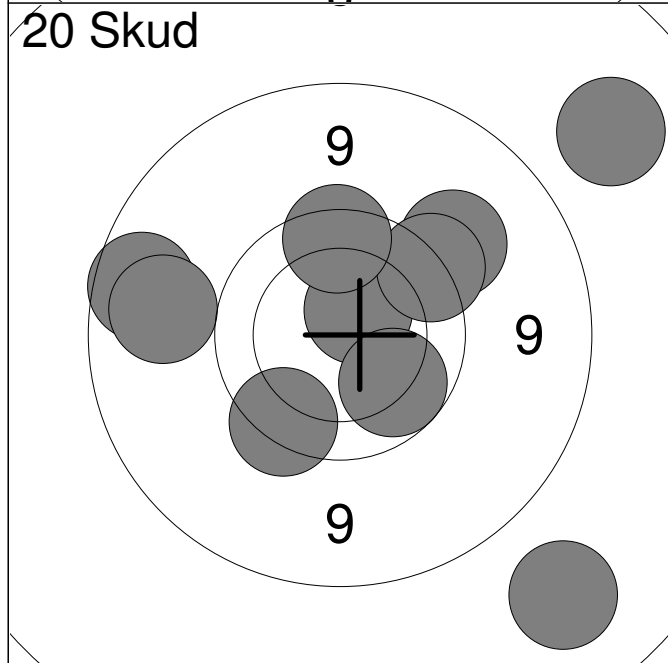
11:	10.2	↖
12:	10.4	↗
13:	10.0	↑
14:	10.3	↑
15:	10.0	↑
16:	*10.6	↗
17:	10.1	↘
18:	9.9	↗
19:	9.8	↘
20:	*10.6	↗
Serie		98.0
Total		192.0



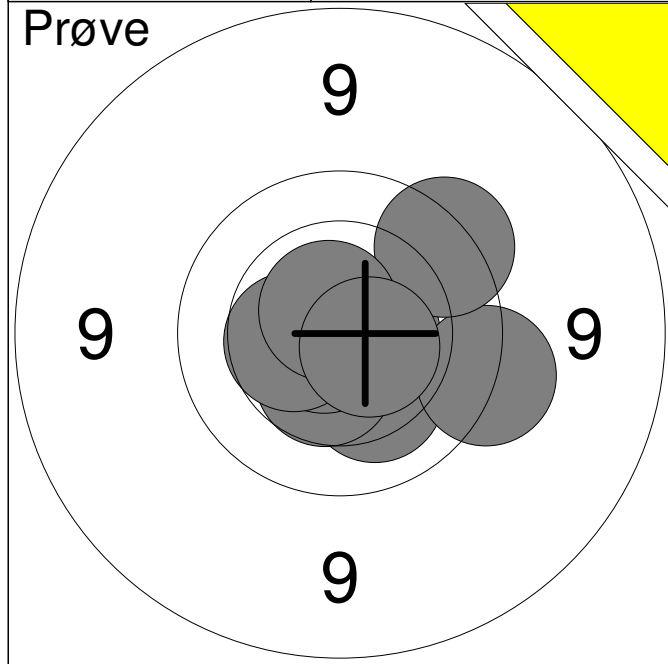
1:	10.4	↗
2:	8.4	←
3:	9.1	↗
4:	9.6	→
5:	*10.7	↓
6:	8.8	↖
7:	9.1	↗
8:	9.1	←
9:	9.2	↘
Serie		81.0
Total		0.0



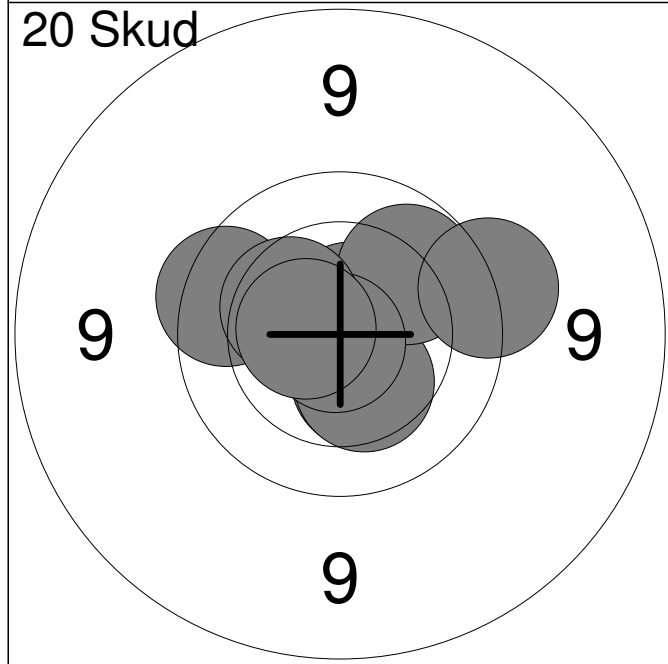
1:	8.9	↖
2:	9.7	↗
3:	10.1	↗
4:	9.7	↖
5:	8.9	↓
6:	10.1	↗
7:	8.5	←
8:	8.7	→
9:	10.0	↓
10:	9.4	↓
Serie		89.0
Total		89.0



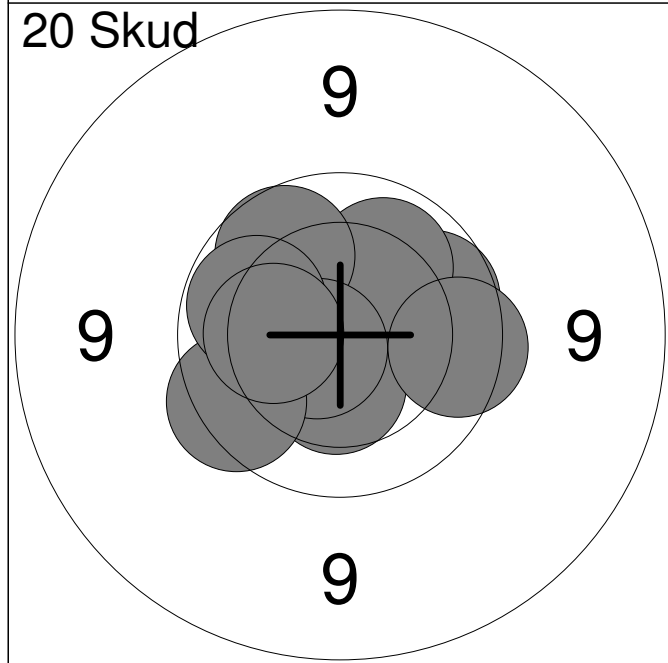
11:	*10.5	↗
12:	9.4	↗
13:	9.6	↗
14:	9.8	↑
15:	9.7	↖
16:	10.0	↖
17:	8.9	←
18:	8.2	↗
19:	9.1	←
20:	8.2	↓
Serie		89.0
Total		178.0



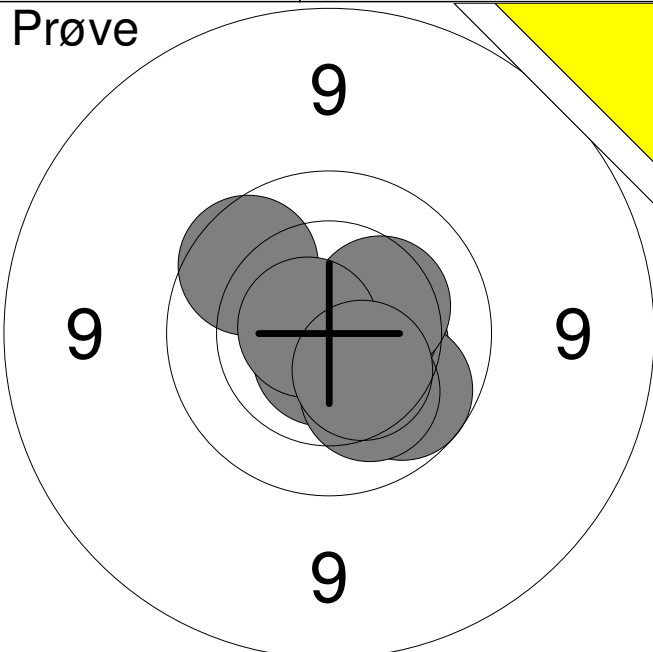
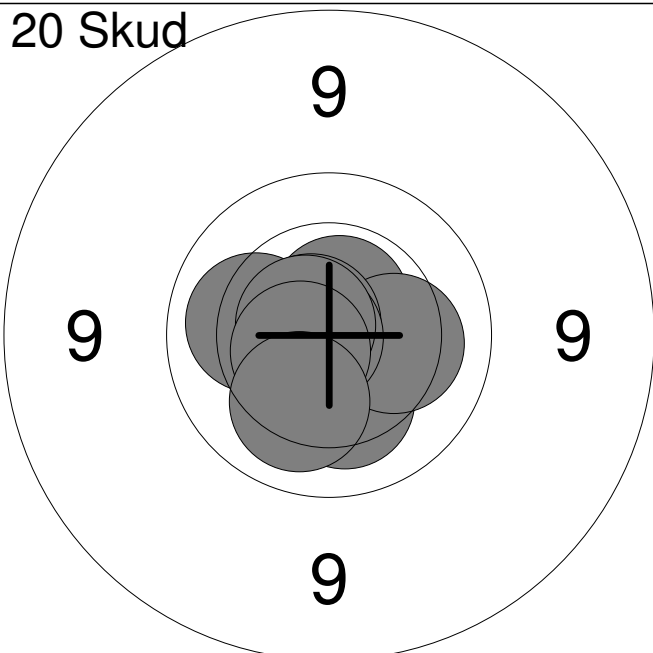
1:	10.2	↘
2:	*10.6	→
3:	10.5	↘
4:	9.6	→
5:	9.7	↗
6:	*10.8	↙
7:	10.4	←
8:	*10.7	↗
9:	*10.6	↘
Serie		88.0
Total		0.0

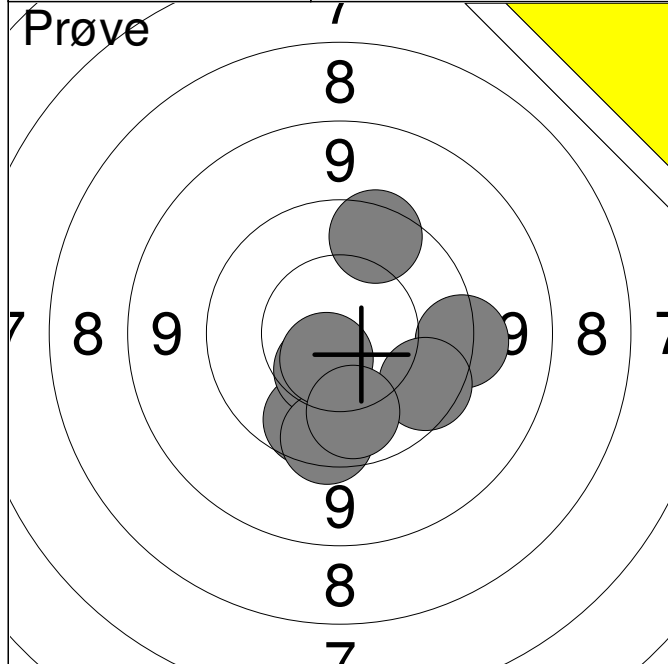


1:	*10.7	↗
2:	*10.8	↘
3:	10.4	↘
4:	10.4	↘
5:	10.0	↗
6:	9.8	↙
7:	*10.8	↘
8:	10.3	↗
9:	9.6	→
10:	*10.6	←
Serie		98.0
Total		98.0

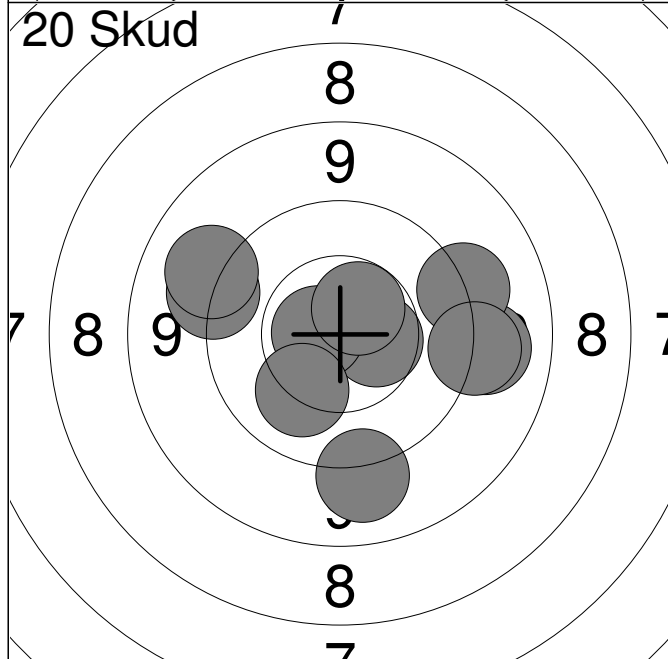


11:	10.4	↗
12:	9.9	→
13:	10.1	↗
14:	10.4	↘
15:	9.9	↗
16:	*10.7	↙
17:	9.8	↙
18:	10.0	↙
19:	9.8	→
20:	10.2	←
Serie		96.0
Total		194.0

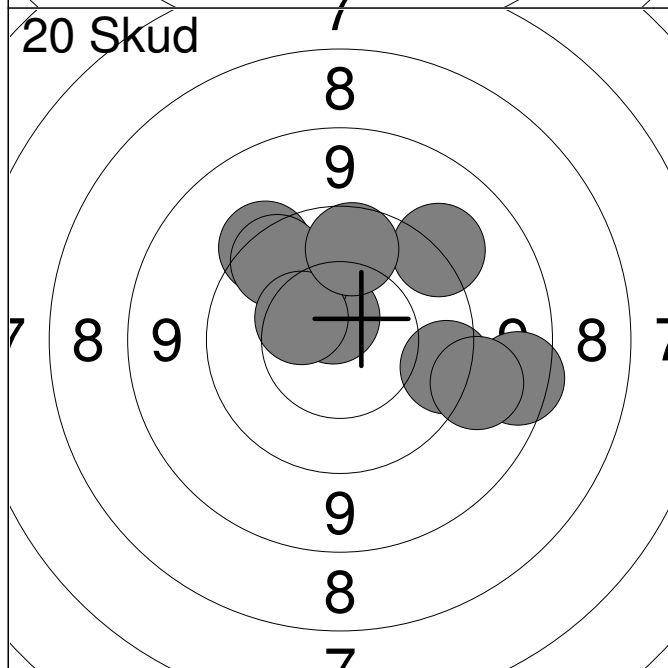
Hold	Skive	Betina Jensen		
23	10	Hobro Egnens Skytteforening	MÅ2	
26.02.2013	NM Senior 2013	Aalborg Skyttekreds		
Prøve		1: *10.6		↘
		2: 10.4		→
		3: 10.0		↘
		4: *10.5		→
		5: *10.7		↘
		6: 10.3		↗
		7: 9.9		↗
		8: 10.2		↘
		9: *10.7		↗
		10: 10.4		↘
		Serie	99.0	
		Total	0.0	
20 Skud		1: *10.8		↘
		2: 10.2		↘
		3: 10.1		←
		4: *10.6		↗
		5: 10.2		→
		6: *10.7		↗
		7: *10.8		←
		8: *10.7		↗
		9: *10.6		←
		10: 10.2		↘
		Serie	100.0	
		Total	100.0	
20 Skud		11: 10.4		←
		12: *10.8		↘
		13: 10.4		↗
		14: *10.6		→
		15: 10.3		←
		16: *10.6		→
		17: *10.5		←
		18: *10.7		←
		19: 10.3		↗
		20: 10.2		↘
		Serie	100.0	
		Total	200.0	



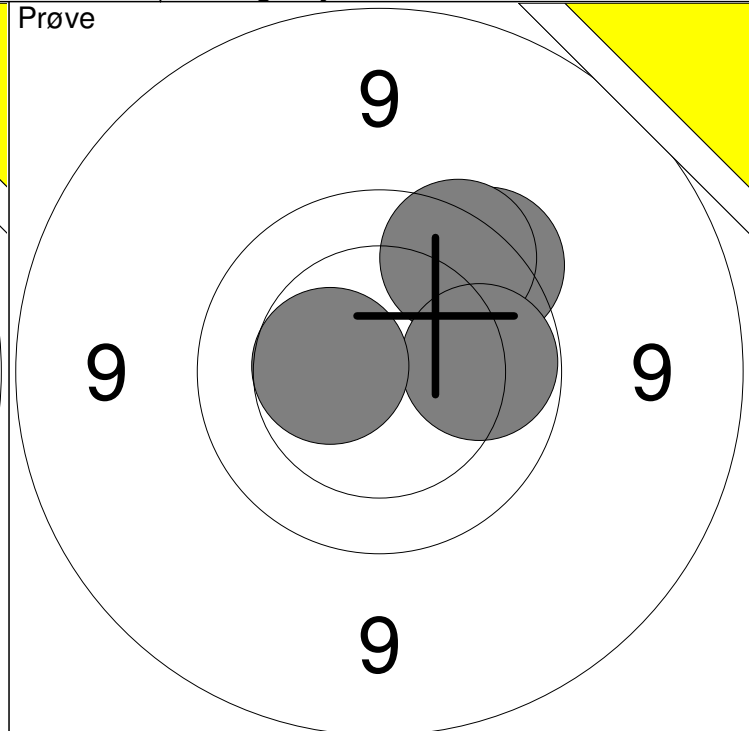
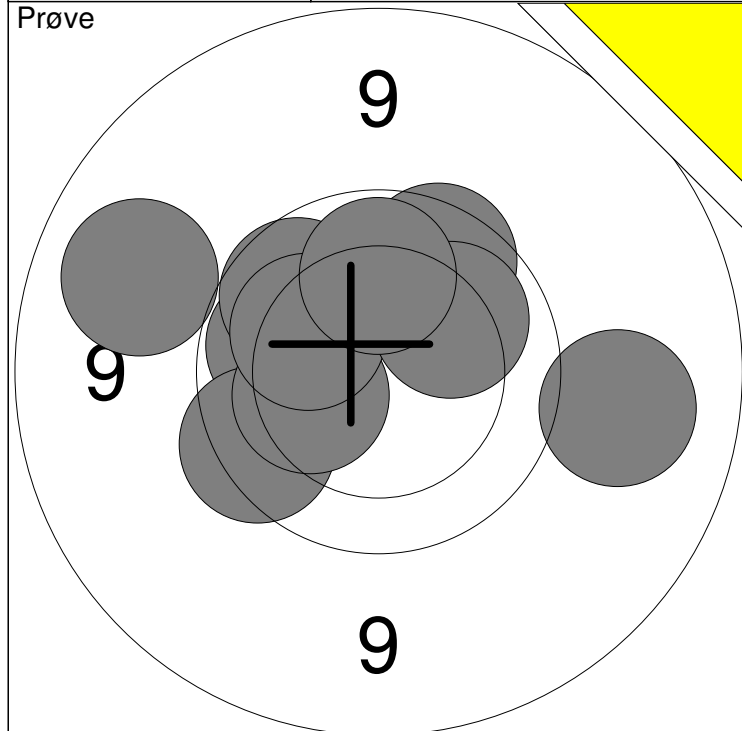
1:	9.9	↘
2:	9.5	→
3:	10.5	↙
4:	9.7	↗
5:	9.8	↘
6:	9.7	↘
7:	*10.6	↙
8:	10.0	↘
Serie		75.0
Total		0.0



1:	9.2	→
2:	9.4	→
3:	9.3	←
4:	10.5	→
5:	*10.7	←
6:	9.2	↗
7:	*10.6	↗
8:	9.2	↘
9:	10.2	↙
10:	9.3	→
Serie		94.0
Total		94.0

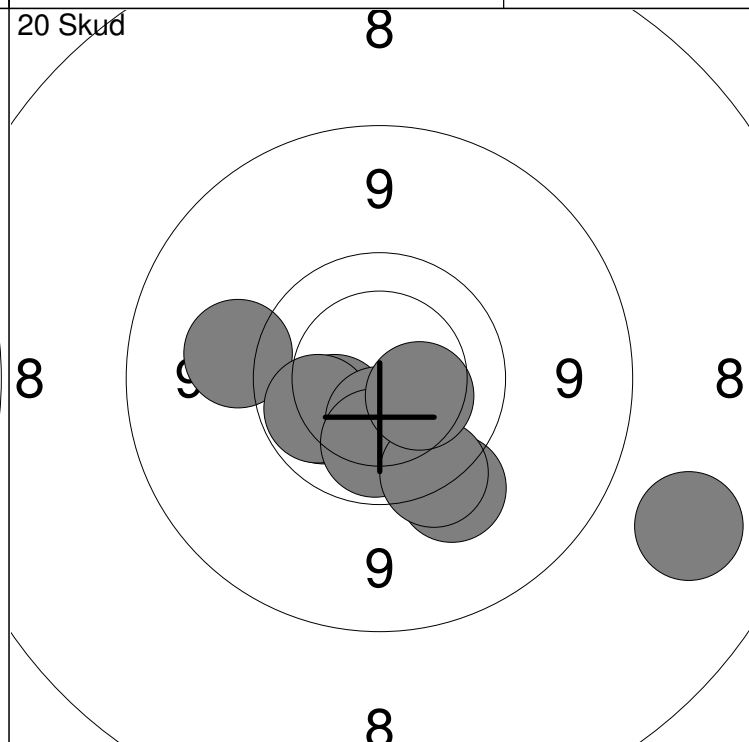
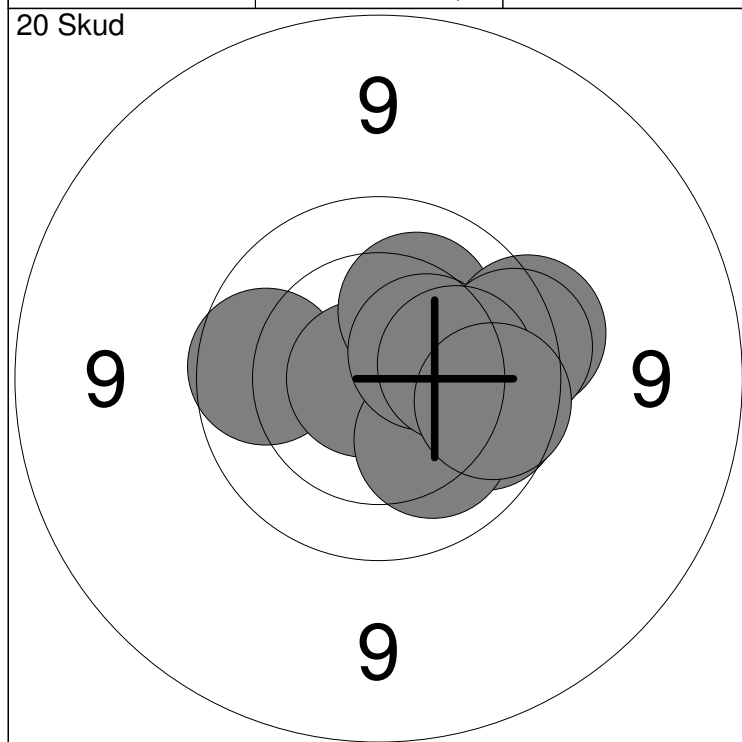


11:	*10.7	↗
12:	10.1	↗
13:	9.6	→
14:	8.7	→
15:	9.2	→
16:	9.5	↗
17:	9.4	↗
18:	9.8	↗
19:	10.4	↗
20:	9.9	↗
Serie		92.0
Total		186.0



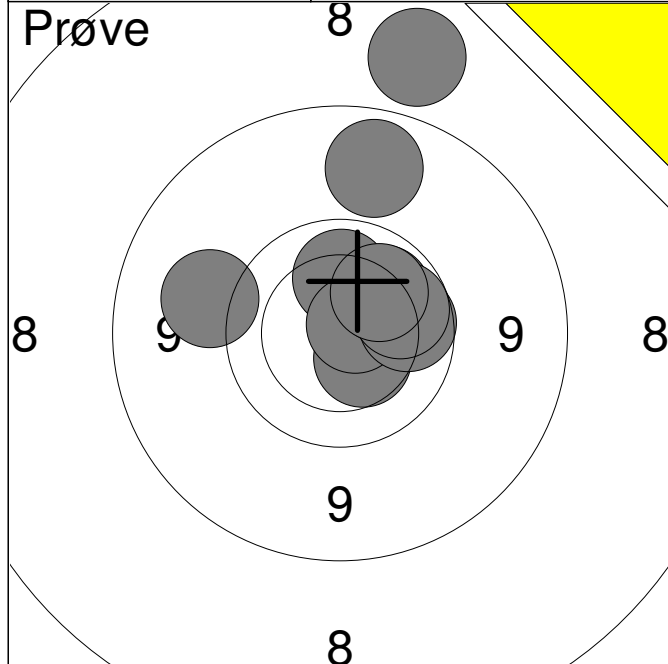
1: 10.0 ←	6: 9.1 ←	Serie	95.0
2: 9.7 ↙	7: 10.2 ↙		
3: 9.9 ↖	8: 9.2 →	Total	0.0
4: 10.3 ↖	9: 10.1 ↗		
5: 9.8 ↗	10: 10.0 ↑		

11: 9.7 ↗	Serie	38.0
12: 9.8 ↗		
13: 10.0 →	Total	0.0
14: 10.5 ←		

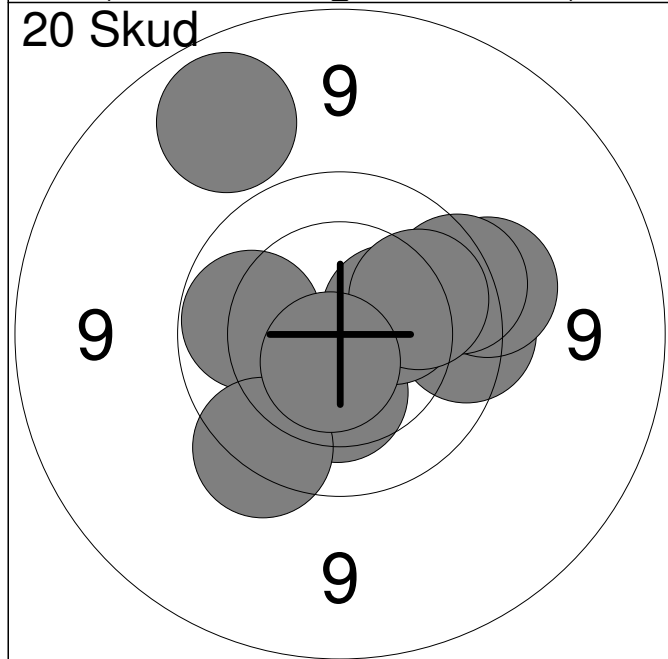


1: 9.9 ←	6: 10.2 ↘	Serie	95.0
2: *10.8 ↖	7: 10.4 ↗		
3: 10.2 ↗	8: 9.8 →	Total	95.0
4: 9.7 →	9: 10.2 →		
5: 9.9 →	10: 9.9 →		

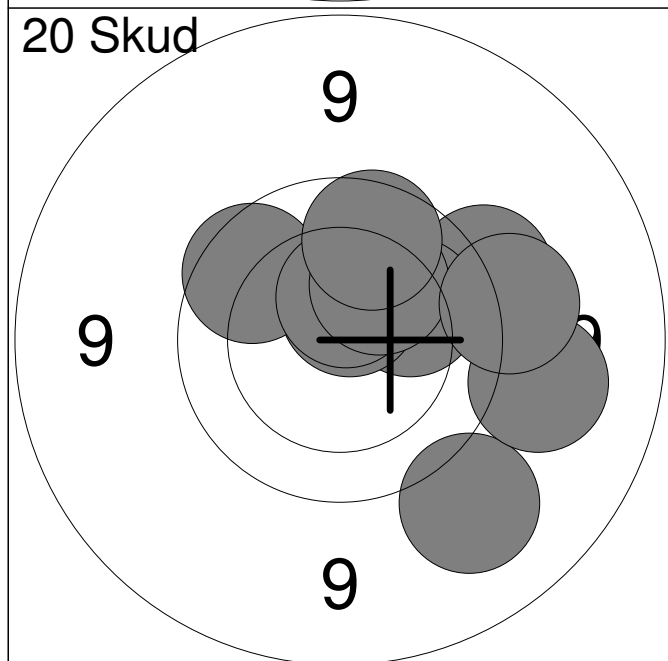
11: 10.1 ↖	16: 9.5 ↘	Serie	95.0
12: 8.2 →	17: 10.4 ↓		
13: 10.2 ↖	18: 10.1 ↓	Total	190.0
14: 9.4 ←	19: 9.7 ↓		
15: 10.0 ↖	20: 10.3 →		



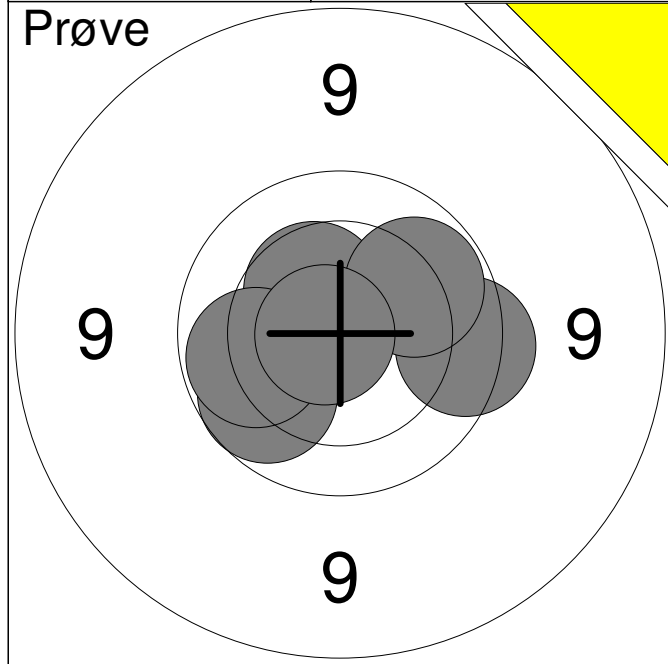
1:	8.3	↑
2:	10.4	↘
3:	10.1	↑
4:	*10.7	↗
5:	10.1	↗
6:	9.0	↑
7:	9.9	→
8:	10.0	↗
9:	9.3	←
10:	10.1	↗
Serie		95.0
Total		0.0



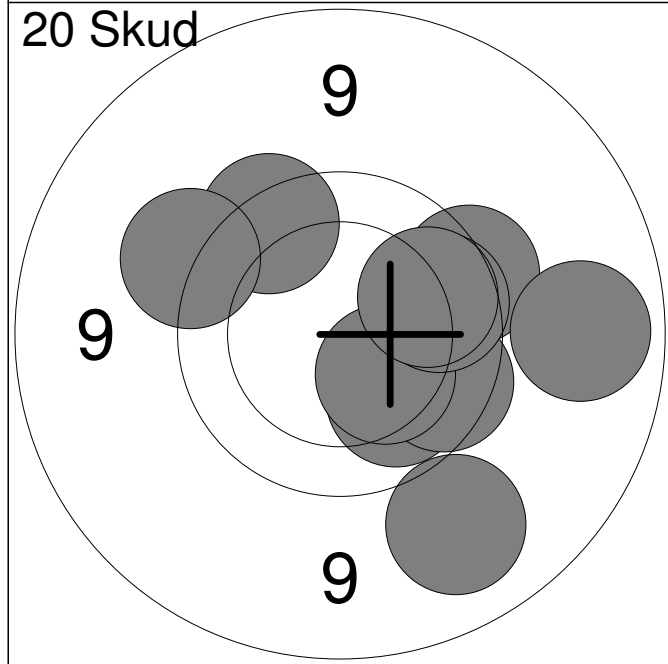
1:	9.7	→
2:	10.0	←
3:	10.3	↓
4:	10.4	↗
5:	9.6	↗
6:	9.7	↗
7:	9.7	↙
8:	10.0	↗
9:	9.0	↑
10:	*10.6	↓
Serie		95.0
Total		95.0



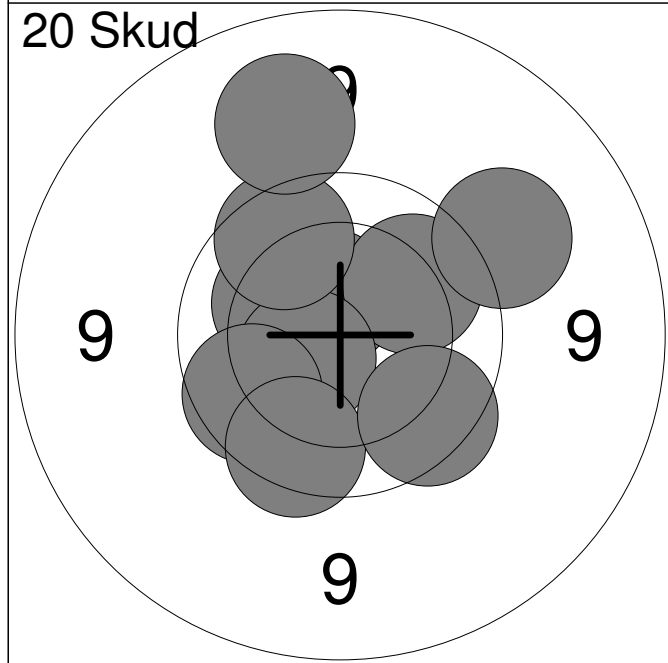
11:	9.5	↗
12:	10.1	↗
13:	*10.6	↑
14:	9.2	↘
15:	9.8	↖
16:	10.5	↑
17:	9.3	→
18:	10.2	↗
19:	9.9	↑
20:	9.5	→
Serie		94.0
Total		189.0



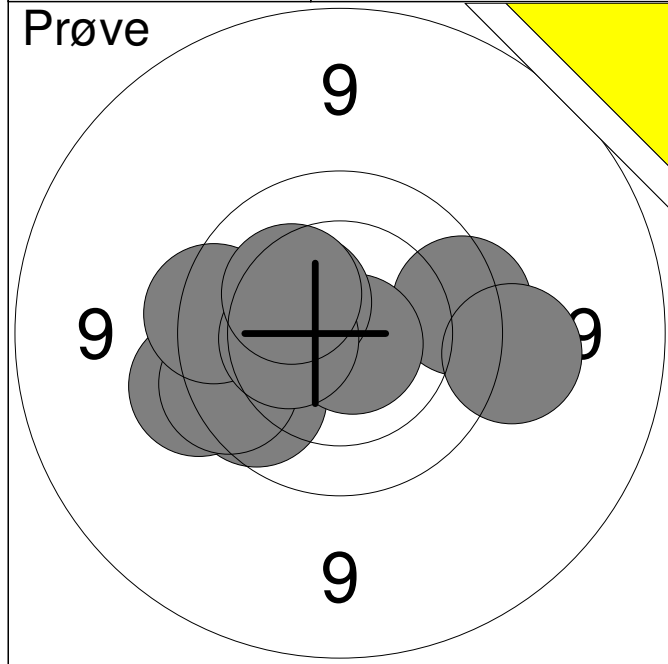
1:	9.9	↙
2:	10.4	↗
3:	9.7	→
4:	10.0	↗
5:	10.0	↙
6:	*10.8	↙
Serie		58.0
Total		0.0



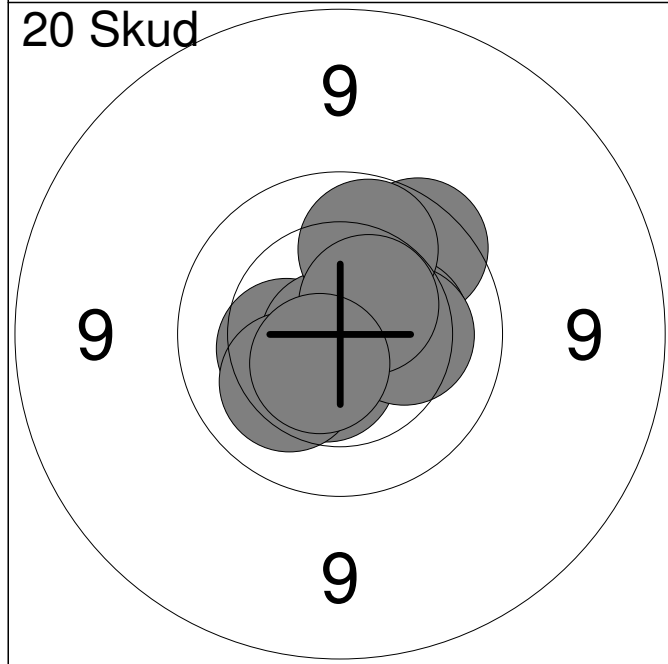
1:	10.0	↘
2:	9.8	↘
3:	9.1	↘
4:	10.3	↘
5:	9.6	↗
6:	9.7	↗
7:	9.0	→
8:	9.5	↗
9:	9.9	→
10:	9.9	→
Serie		92.0
Total		92.0



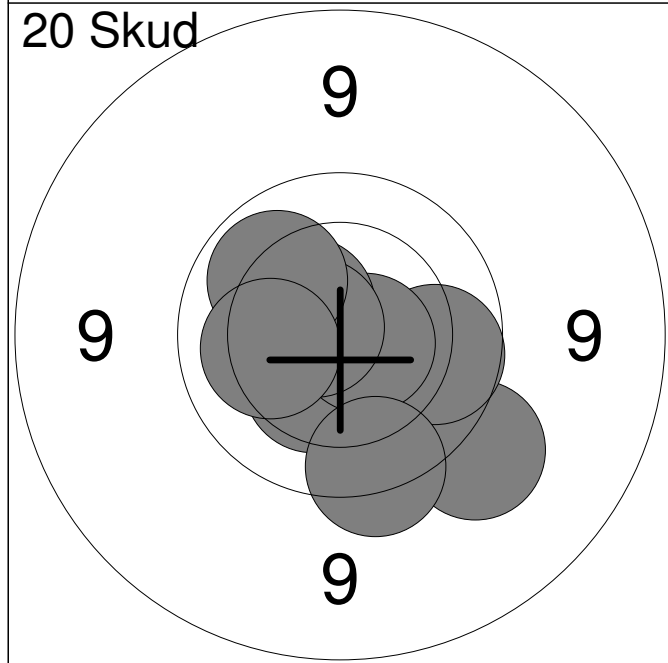
11:	*10.5	↗
12:	10.2	↗
13:	10.0	↗
14:	*10.5	↙
15:	9.4	↗
16:	9.8	↗
17:	9.9	↙
18:	9.2	↗
19:	9.8	↘
20:	9.8	↘
Serie		94.0
Total		186.0



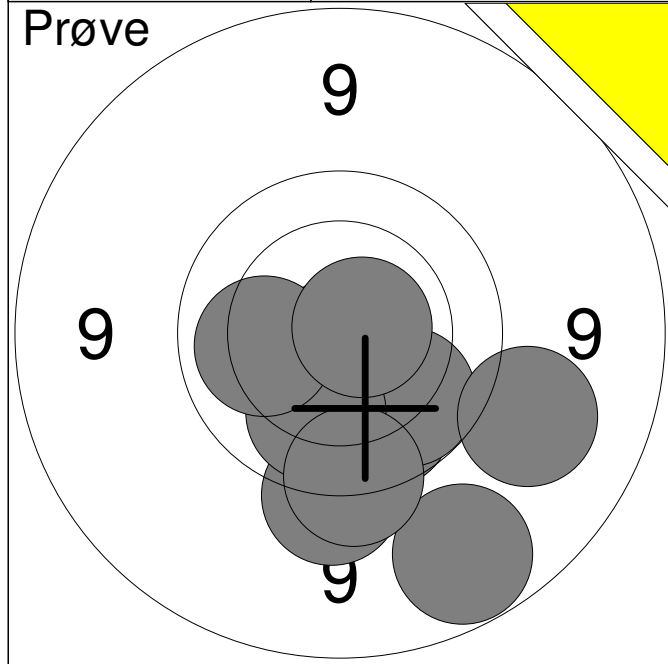
1:	9.8	→
2:	9.9	↙
3:	9.6	←
4:	9.8	↙
5:	*10.8	↘
6:	10.4	↗
7:	9.5	→
8:	9.7	←
9:	10.4	←
10:	10.3	↗
Serie		94.0
Total		0.0



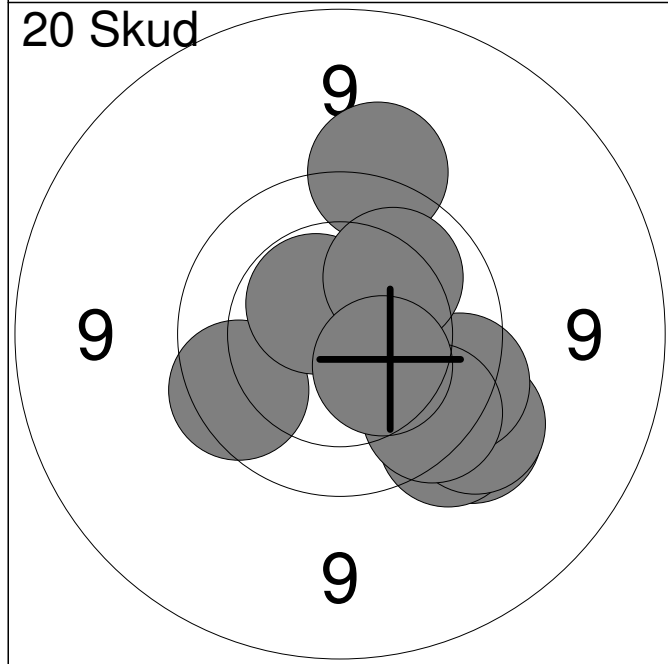
1:	10.3	←
2:	*10.5	↓
3:	9.8	↗
4:	*10.8	↙
5:	10.2	↙
6:	10.3	→
7:	10.3	→
8:	10.0	↑
9:	*10.5	↗
10:	*10.6	↙
Serie		99.0
Total		99.0



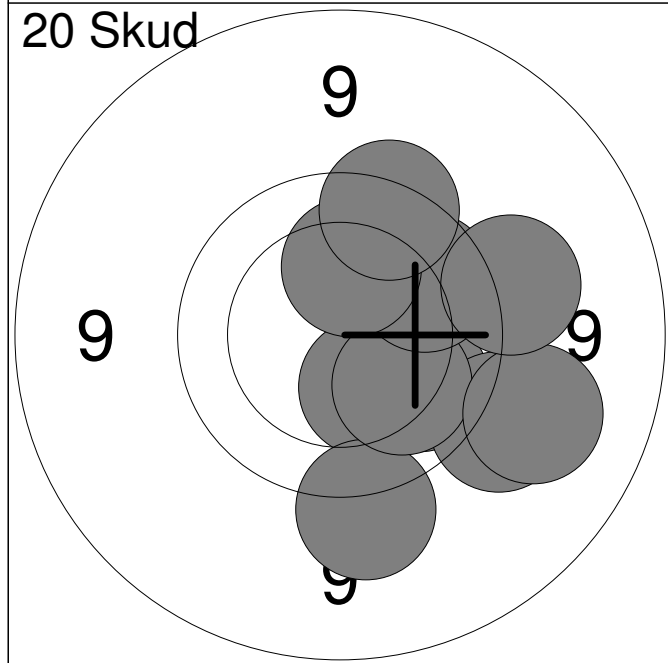
11:	10.4	↘
12:	10.4	↙
13:	9.4	↘
14:	9.9	→
15:	*10.7	↘
16:	10.5	↗
17:	*10.7	←
18:	10.0	↗
19:	9.7	↘
20:	10.2	←
Serie		97.0
Total		196.0



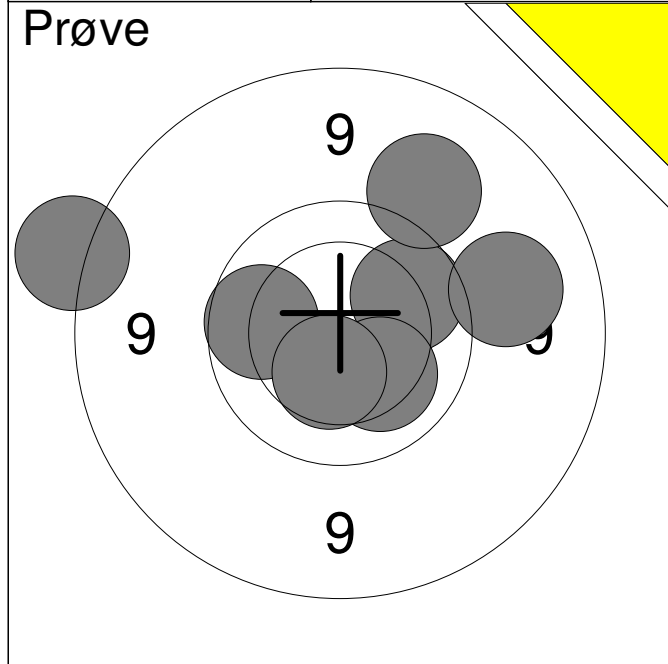
1:	*10.8	↓
2:	9.0	↓
3:	9.5	↓
4:	9.9	↓
5:	10.0	↓
6:	9.3	→
7:	10.1	↓
8:	10.1	←
9:	9.6	↓
10:	*10.7	→
Serie		95.0
Total		0.0



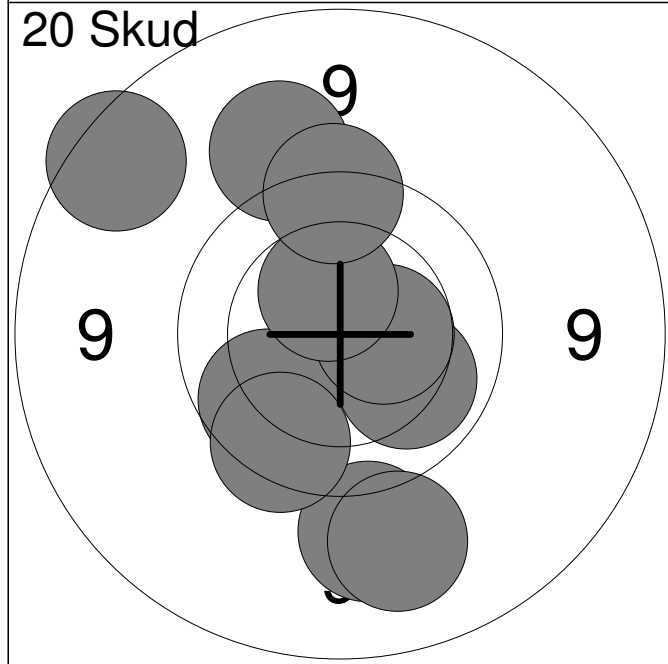
1:	9.5	↓
2:	9.6	↓
3:	9.5	↓
4:	9.5	↑
5:	9.7	→
6:	9.8	←
7:	*10.5	↗
8:	10.1	↗
9:	9.8	↓
10:	10.4	↓
Serie		93.0
Total		93.0



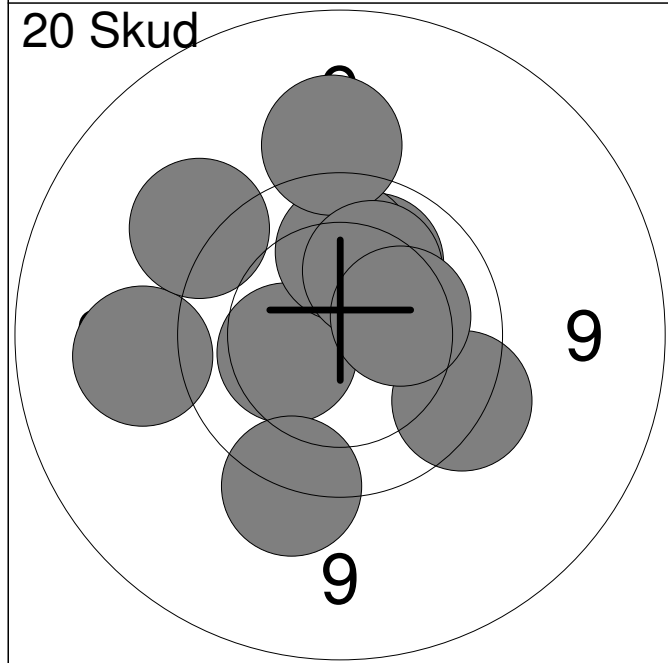
11:	10.3	↓
12:	10.0	↓
13:	9.4	↓
14:	9.4	↓
15:	10.1	↓
16:	9.2	→
17:	9.9	↗
18:	10.2	↑
19:	9.4	→
20:	9.7	↑
Serie		94.0
Total		187.0



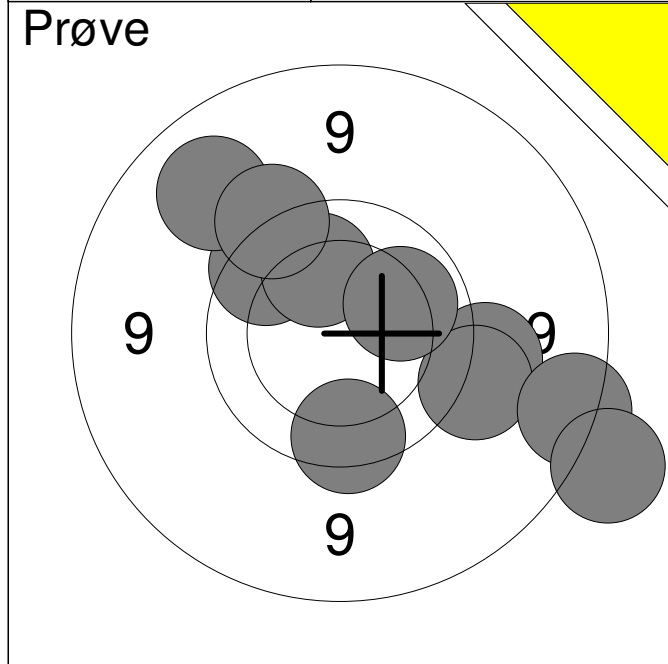
1:	9.9	↗
2:	9.9	←
3:	8.6	↖
4:	9.3	↗
5:	10.2	↘
6:	9.2	→
7:	10.4	↘
Serie		64.0
Total		0.0



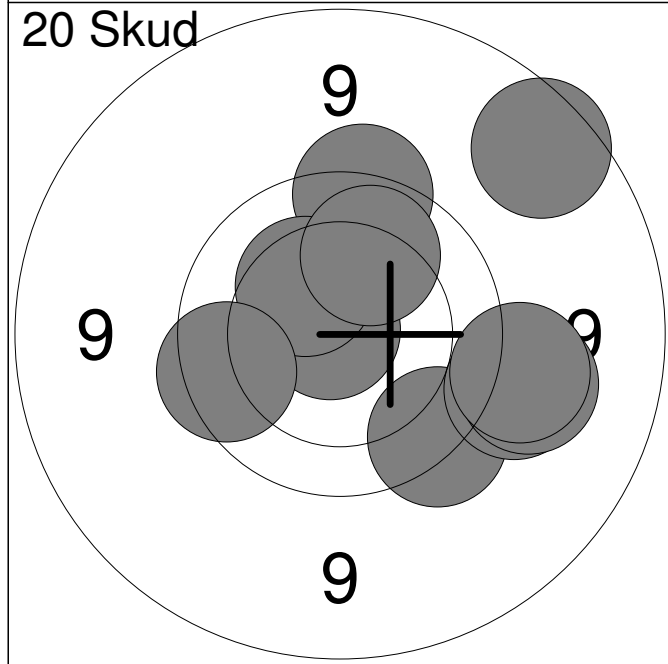
1:	10.1	↘
2:	8.8	↗
3:	9.9	↖
4:	9.3	↗
5:	10.5	→
6:	9.3	↘
7:	10.5	↗
8:	9.2	↘
9:	9.7	↗
10:	9.8	↘
Serie		92.0
Total		92.0



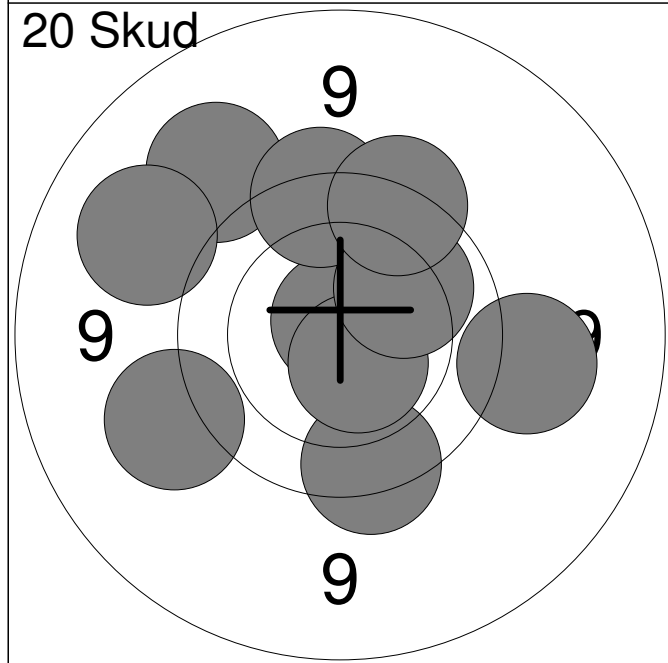
11:	10.3	←
12:	9.3	←
13:	10.1	↗
14:	10.1	↗
15:	9.5	↘
16:	9.7	↘
17:	9.3	↗
18:	9.4	↗
19:	10.2	↗
20:	10.3	→
Serie		95.0
Total		187.0



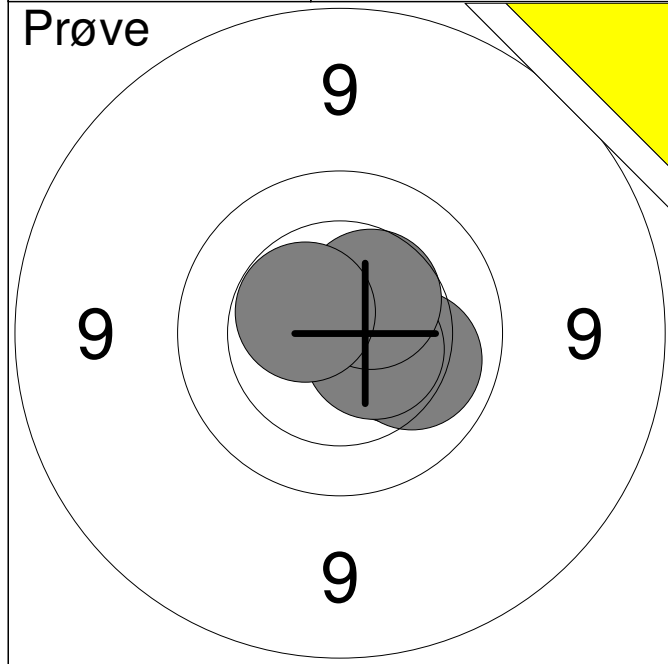
1:	9.4	→
2:	9.4	→
3:	9.8	↗
4:	9.8	↓
5:	10.1	↗
6:	9.1	↗
7:	8.8	↓
8:	9.5	↗
9:	10.1	↗
10:	8.5	↓
Serie		90.0
Total		0.0



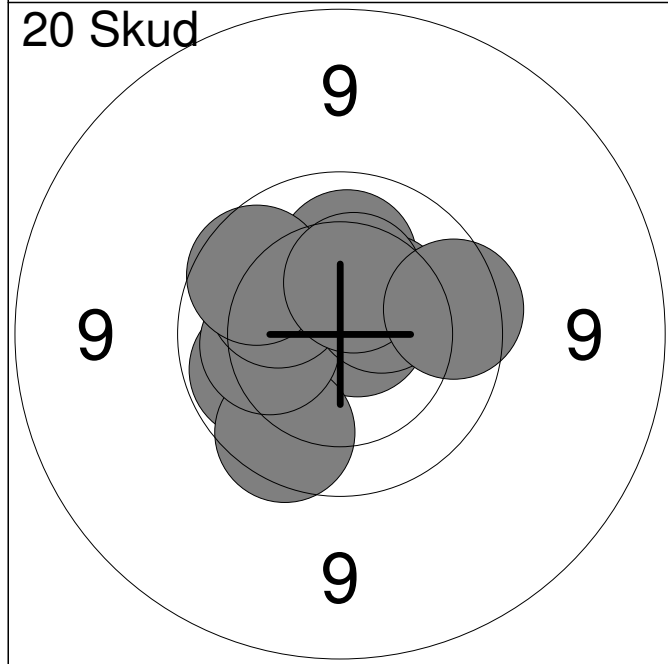
1:	8.9	↗
2:	9.6	↓
3:	9.6	↑
4:	9.4	→
5:	*10.8	↗
6:	10.3	↗
7:	9.8	←
8:	9.3	→
9:	10.0	↑
10:	9.4	→
Serie		92.0
Total		92.0



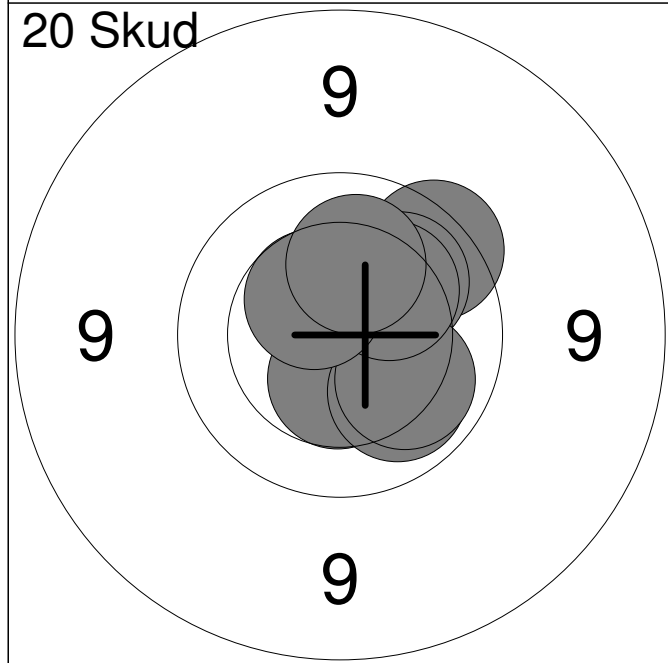
11:	*10.8	↑
12:	9.4	→
13:	9.7	↓
14:	9.4	←
15:	9.3	↗
16:	*10.6	↓
17:	9.7	↑
18:	9.2	↗
19:	10.1	↗
20:	9.6	↑
Serie		93.0
Total		185.0



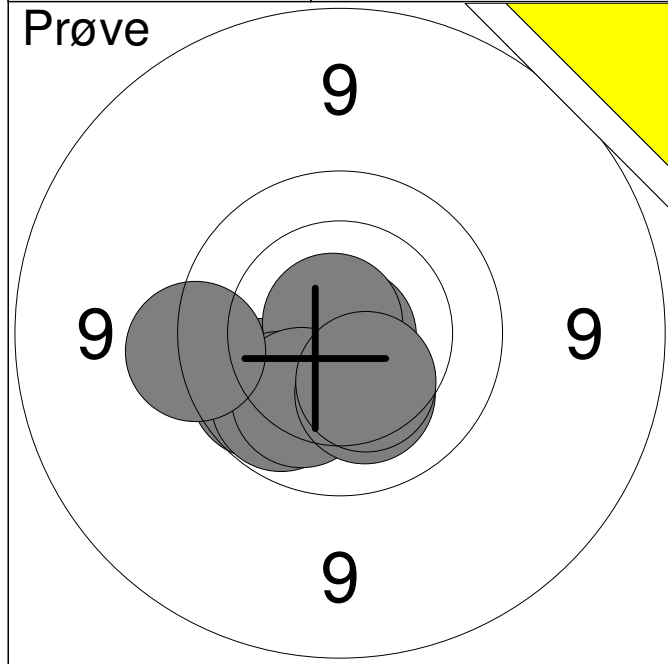
1:	10.3	→
2:	10.1	→
3:	*10.5	→
4:	10.4	↗
5:	*10.5	↖
Serie		50.0
Total		0.0



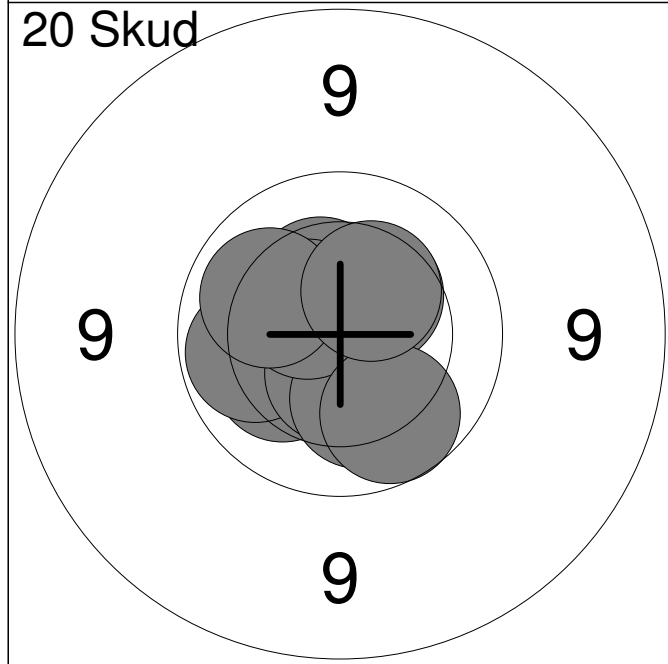
1:	10.0	←
2:	10.1	↑
3:	*10.7	→
4:	9.8	↘
5:	10.2	←
6:	10.2	↖
7:	10.4	↗
8:	9.9	↖
9:	10.4	↑
10:	9.8	→
Serie		97.0
Total		97.0



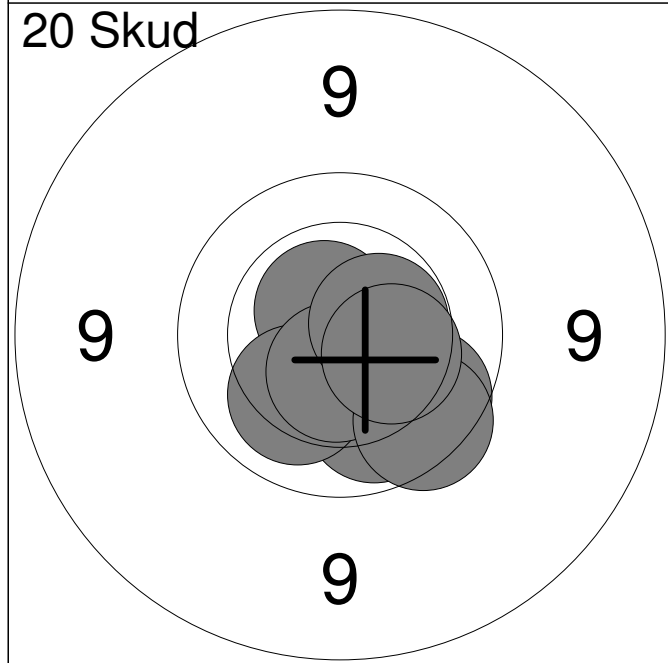
11:	10.3	↗
12:	10.5	↓
13:	10.2	↗
14:	10.1	↘
15:	9.7	↗
16:	10.1	↗
17:	10.1	↘
18:	10.2	↗
19:	10.5	↖
20:	10.2	↑
Serie		99.0
Total		196.0



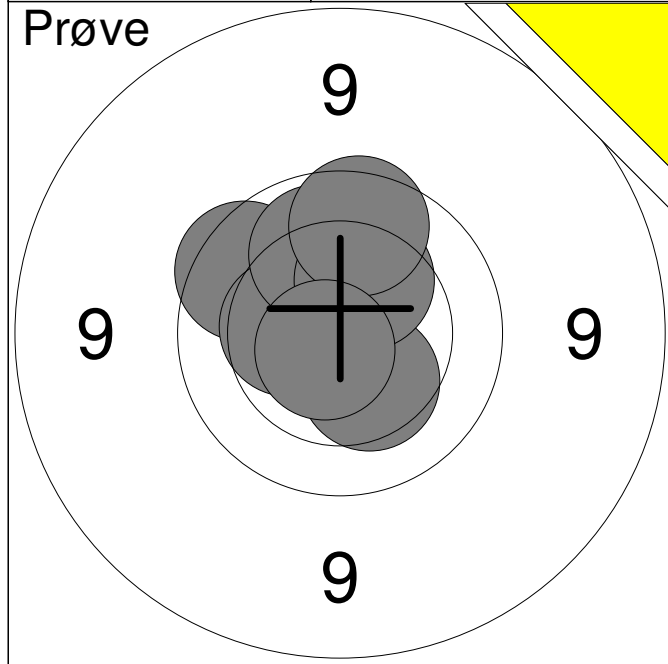
1:	*10.9	↘
2:	9.9	↙
3:	*10.8	↗
4:	10.0	↙
5:	10.1	↙
6:	10.2	↙
7:	9.6	↖
8:	10.4	↙
Serie		78.0
Total		0.0



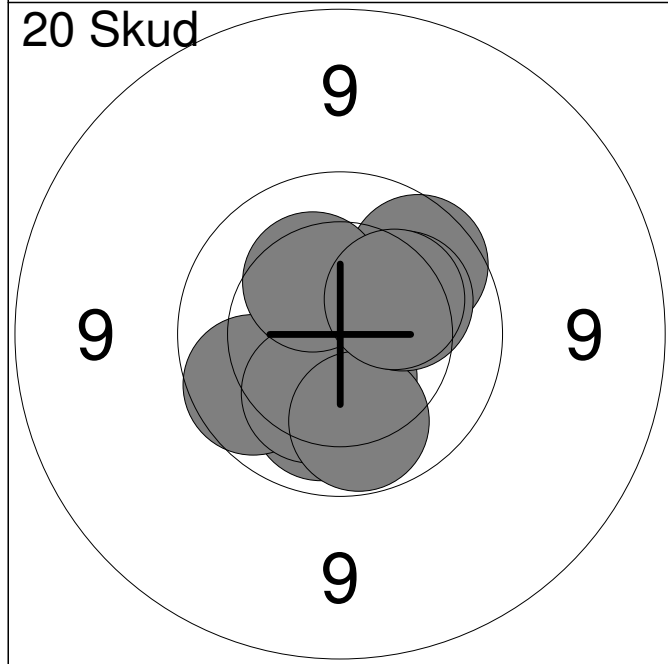
1:	10.2	↙
2:	10.0	↖
3:	10.4	↗
4:	*10.5	↙
5:	10.2	↙
6:	10.4	↗
7:	*10.5	↗
8:	9.9	↙
9:	10.1	↗
10:	10.4	↗
Serie		99.0
Total		99.0



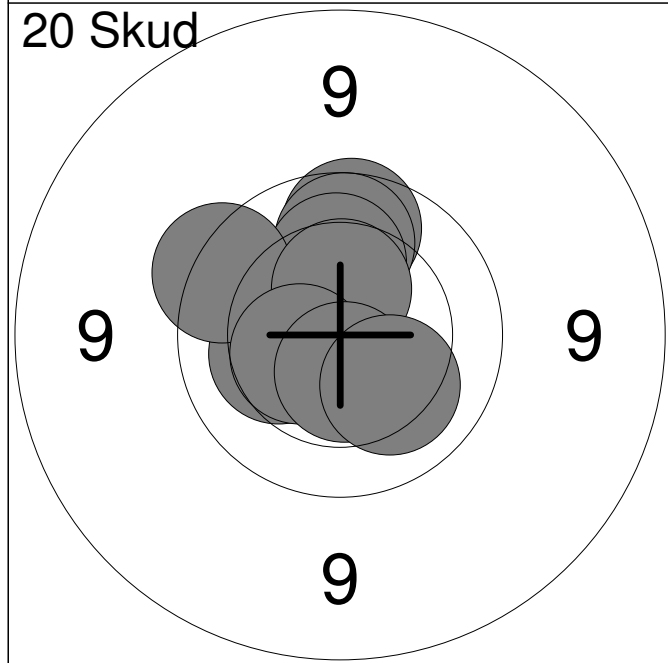
11:	*10.6	↗
12:	10.0	↙
13:	*10.6	↗
14:	10.2	↙
15:	*10.6	↙
16:	*10.6	↙
17:	*10.5	↗
18:	9.9	↙
19:	9.8	↙
20:	10.4	↘
Serie		98.0
Total		197.0



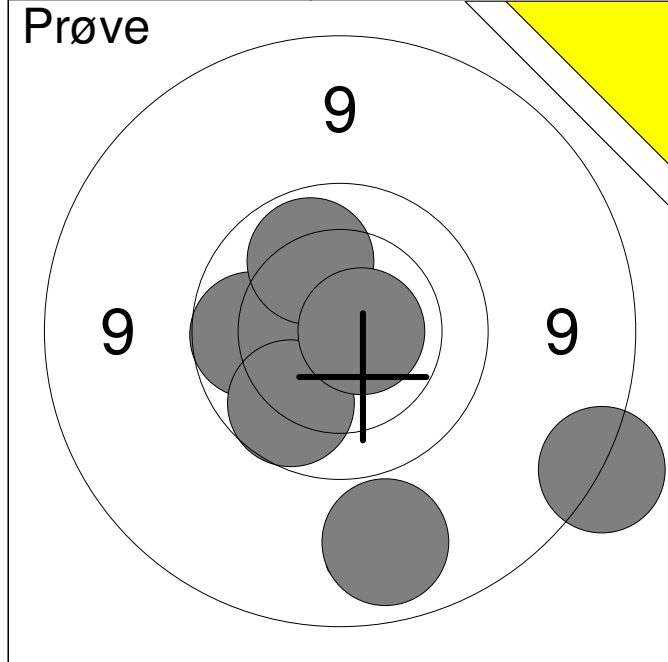
1:	9.8	↗
2:	10.3	↘
3:	10.4	←
4:	10.1	↗
5:	10.3	↗
6:	9.8	↑
7:	*10.7	↘
Serie		68.0
Total		0.0



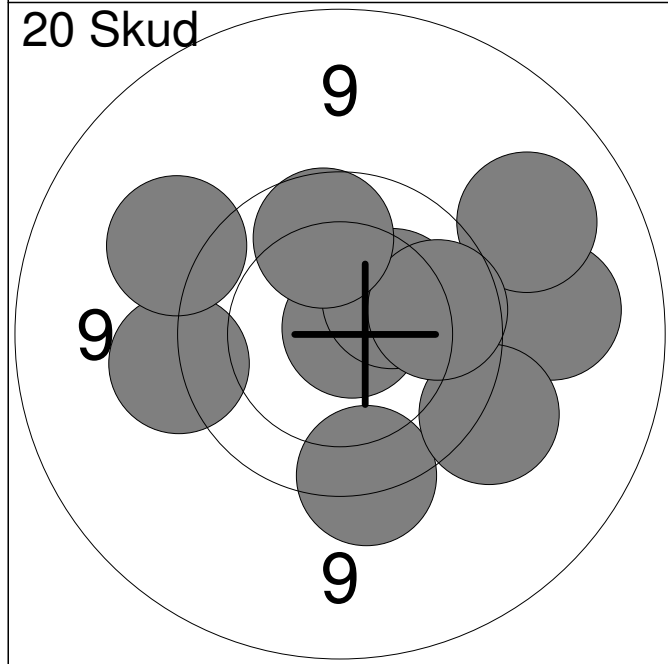
1:	10.1	↘
2:	10.5	↘
3:	9.9	↙
4:	*10.7	↑
5:	10.2	↘
6:	10.0	↘
7:	9.9	↗
8:	10.2	↗
9:	10.3	↑
10:	10.3	↗
Serie		98.0
Total		98.0



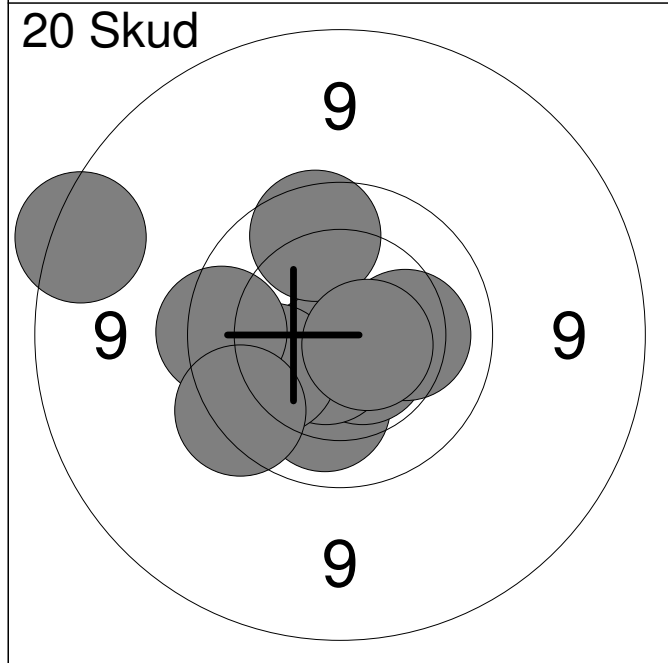
11:	9.9	↑
12:	10.0	↑
13:	10.2	↑
14:	10.3	←
15:	*10.7	↘
16:	9.7	↖
17:	10.4	↑
18:	10.5	←
19:	*10.5	↘
20:	10.2	↘
Serie		98.0
Total		196.0



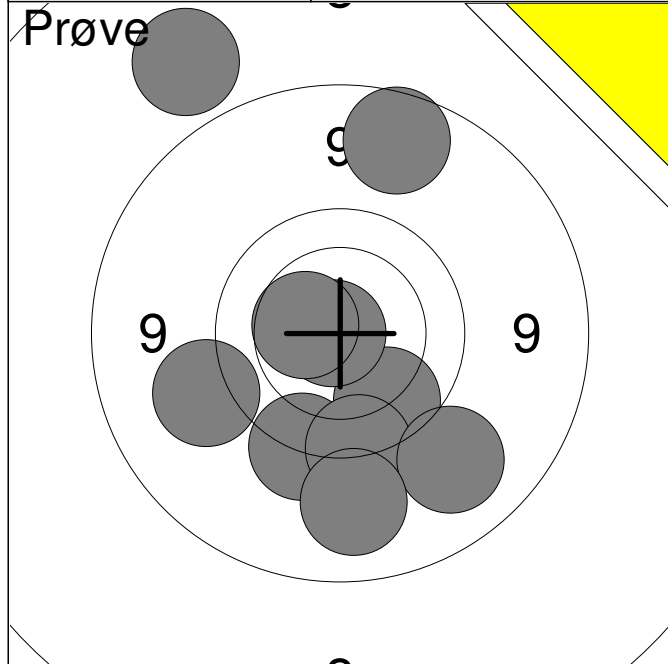
1:	9.1	↓
2:	9.9	←
3:	8.7	→
4:	9.9	↙
5:	10.0	↑
6:	*10.7	→
Serie		55.0
Total		0.0



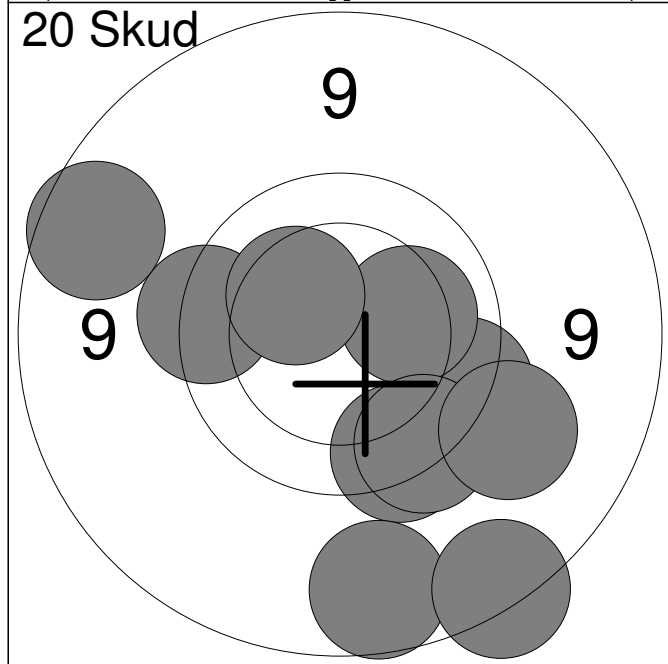
1:	9.6	↓
2:	*10.8	↗
3:	9.2	→
4:	9.2	↗
5:	9.5	←
6:	9.5	↘
7:	10.3	↗
8:	9.9	→
9:	9.9	↑
10:	9.4	↙
Serie		92.0
Total		92.0



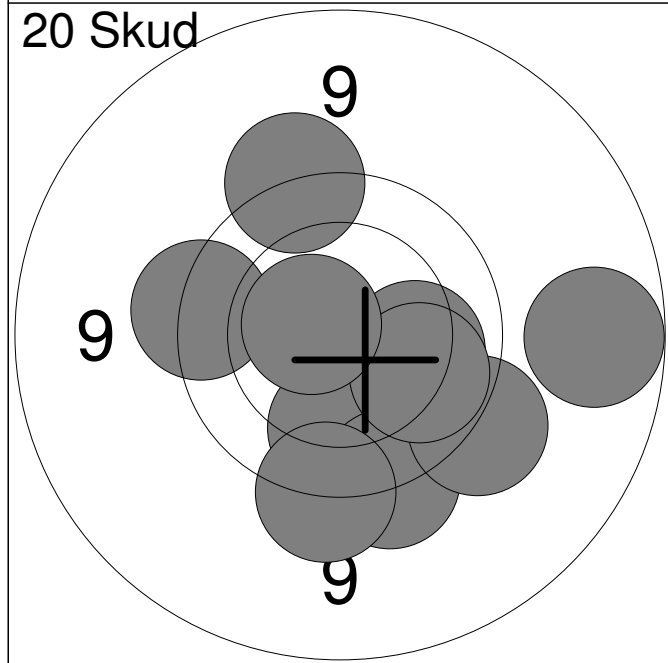
11:	10.1	↓
12:	*10.6	↓
13:	*10.6	↙
14:	10.1	←
15:	9.9	↑
16:	10.2	→
17:	9.7	←
18:	*10.6	→
19:	8.8	↙
20:	9.7	↙
Serie		95.0
Total		187.0



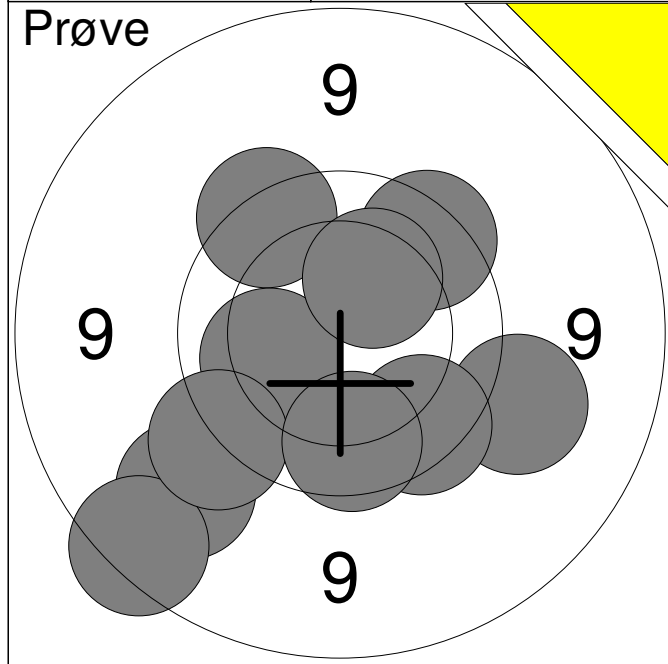
1:	8.3	↗
2:	9.9	↘
3:	*10.8	←
4:	8.9	↗
5:	9.6	↘
6:	9.6	↘
7:	10.4	←
8:	9.3	←
9:	9.2	↘
10:	9.2	↓
Serie		90.0
Total		0.0



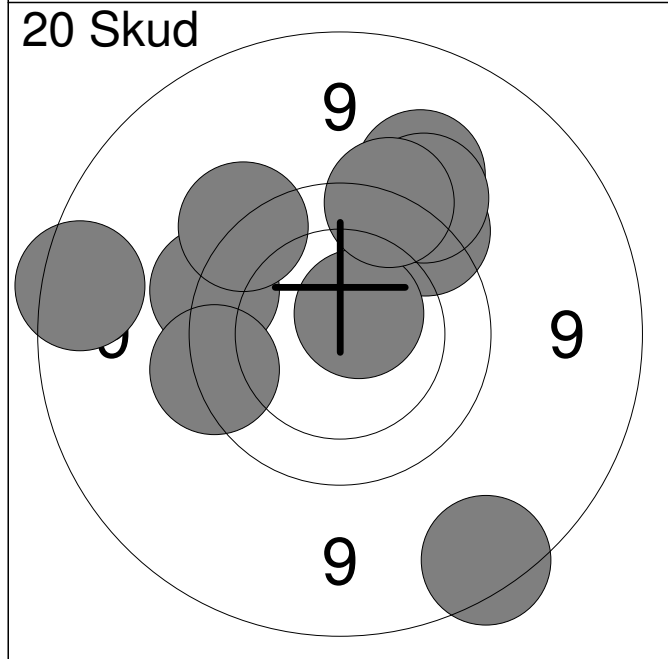
1:	9.7	↘
2:	9.7	←
3:	10.2	↘
4:	10.3	↗
5:	9.7	↘
6:	8.9	↗
7:	8.9	↘
8:	9.7	↘
9:	8.8	↘
10:	9.3	↘
Serie		89.0
Total		89.0



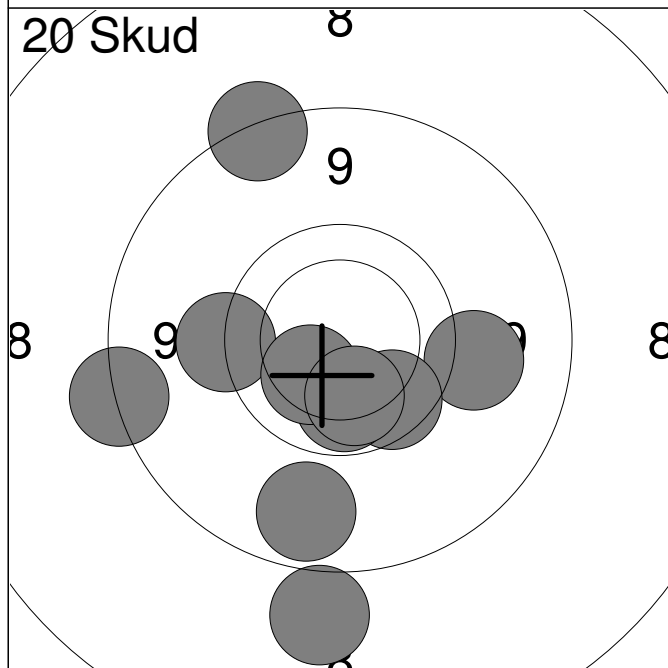
11:	9.9	↓
12:	9.6	↘
13:	9.5	↘
14:	9.0	↘
15:	9.7	←
16:	10.1	↘
17:	9.5	↗
18:	9.5	↘
19:	10.0	↘
20:	*10.6	←
Serie		93.0
Total		182.0



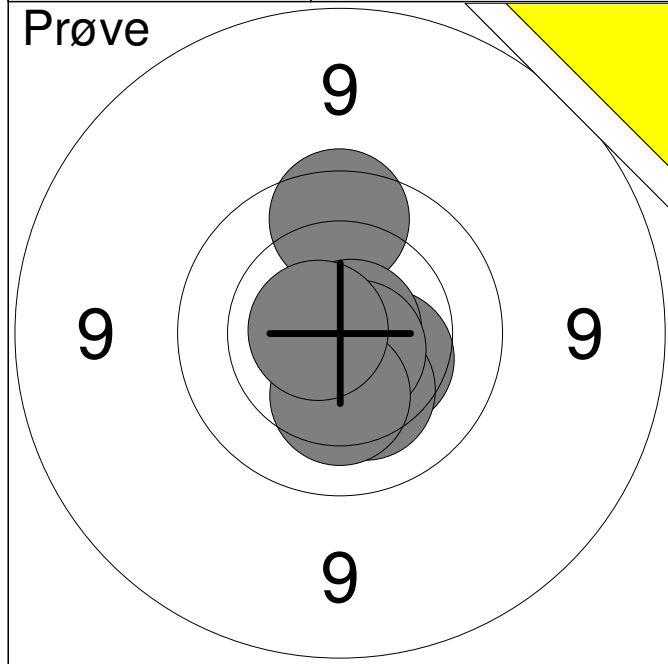
1:	9.3	→
2:	9.7	↗
3:	10.1	←
4:	9.8	↘
5:	9.2	↙
6:	8.8	↙
7:	9.7	↗
8:	9.5	↙
9:	9.9	↓
10:	10.3	↗
Serie		91.0
Total		0.0



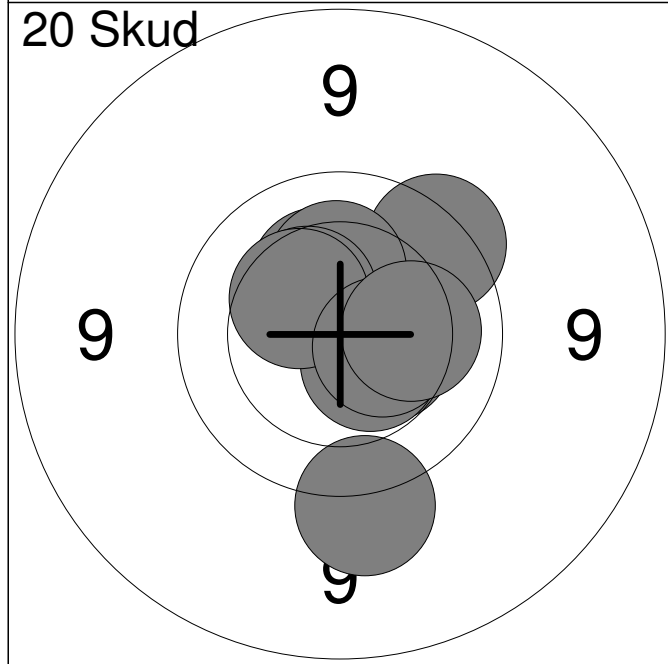
1:	9.6	←
2:	9.7	←
3:	8.8	↘
4:	9.6	↗
5:	8.8	←
6:	9.3	↗
7:	*10.6	↗
8:	9.6	↗
9:	9.5	↗
10:	9.6	↗
Serie		89.0
Total		89.0



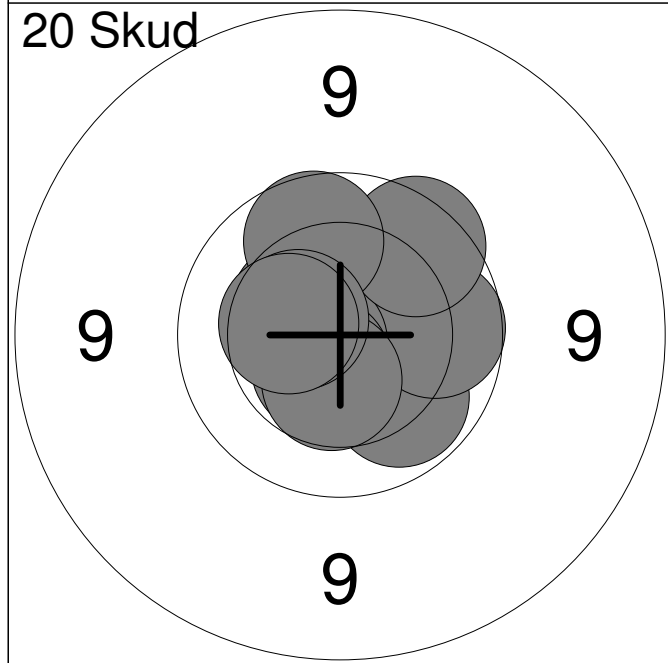
11:	9.0	↓
12:	8.7	↗
13:	9.4	→
14:	8.4	↓
15:	9.5	←
16:	9.8	↘
17:	10.0	↓
18:	8.7	←
19:	10.3	↙
20:	10.1	↓
Serie		90.0
Total		179.0



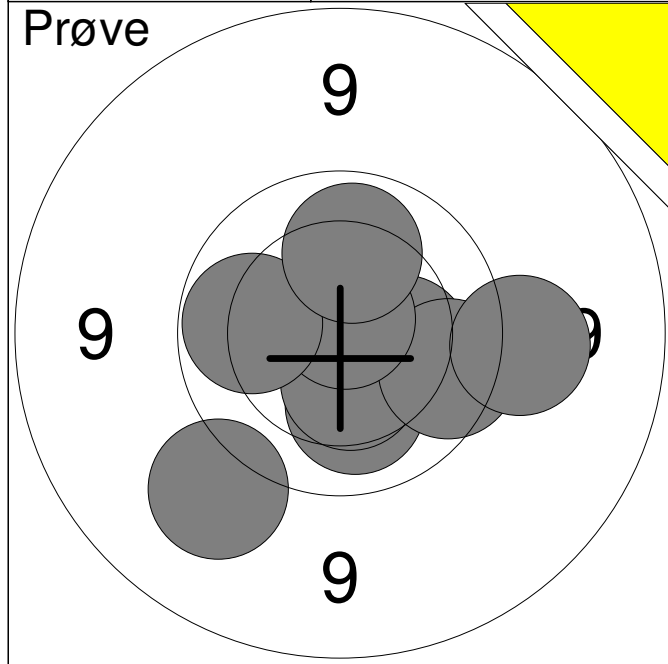
1:	9.8	↑
2:	10.4	↘
3:	*10.8	→
4:	10.3	↓
5:	*10.7	↘
6:	10.3	↓
7:	*10.7	←
Serie		69.0
Total		0.0



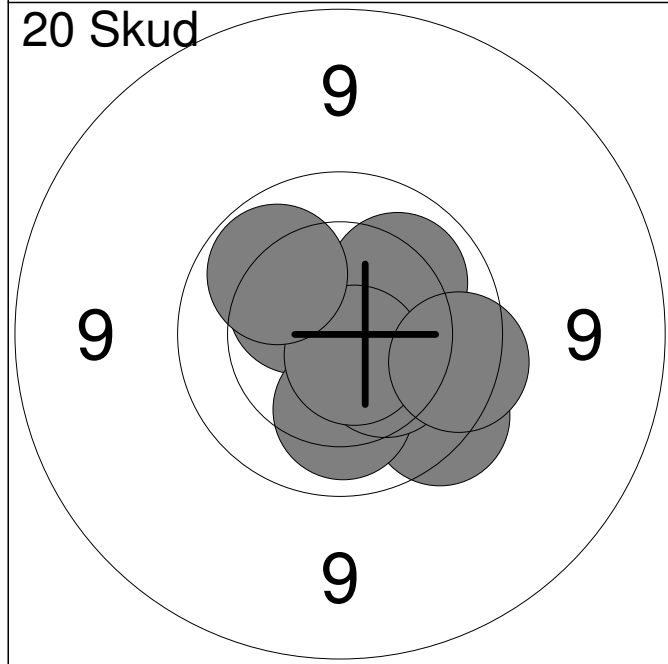
1:	9.7	↗
2:	10.4	↘
3:	9.5	↓
4:	10.3	↗
5:	*10.5	↘
6:	10.3	↑
7:	10.4	↗
8:	10.4	↗
9:	10.5	↘
10:	10.2	→
Serie		98.0
Total		98.0



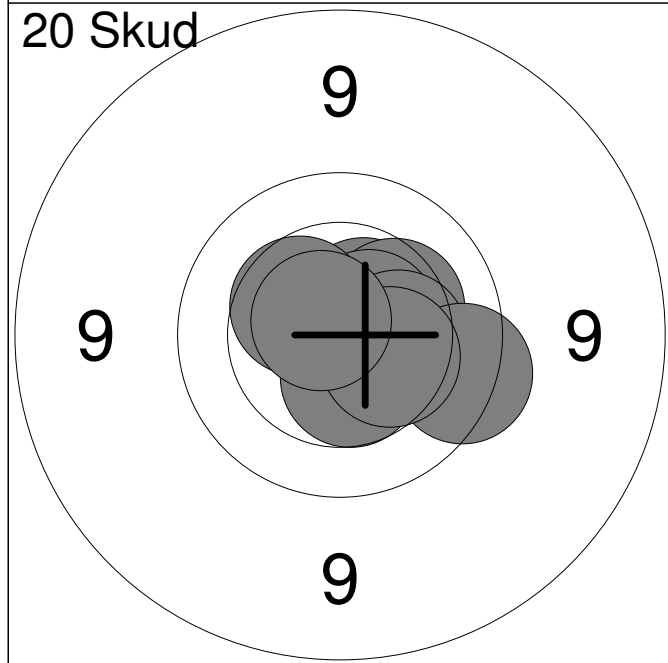
11:	10.4	↗
12:	10.0	↓
13:	9.9	→
14:	*10.7	←
15:	9.8	↗
16:	*10.6	↘
17:	9.9	↑
18:	10.5	↓
19:	10.5	←
20:	10.4	←
Serie		97.0
Total		195.0



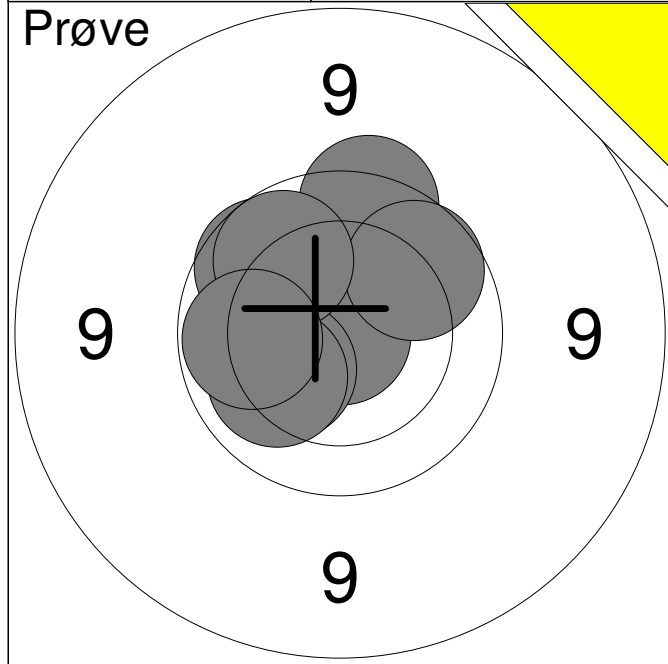
1:	9.3	↙
2:	10.3	→
3:	10.2	↓
4:	10.4	↓
5:	9.8	→
6:	9.4	→
7:	*10.8	↑
8:	10.0	←
9:	10.1	↑
Serie		87.0
Total		0.0



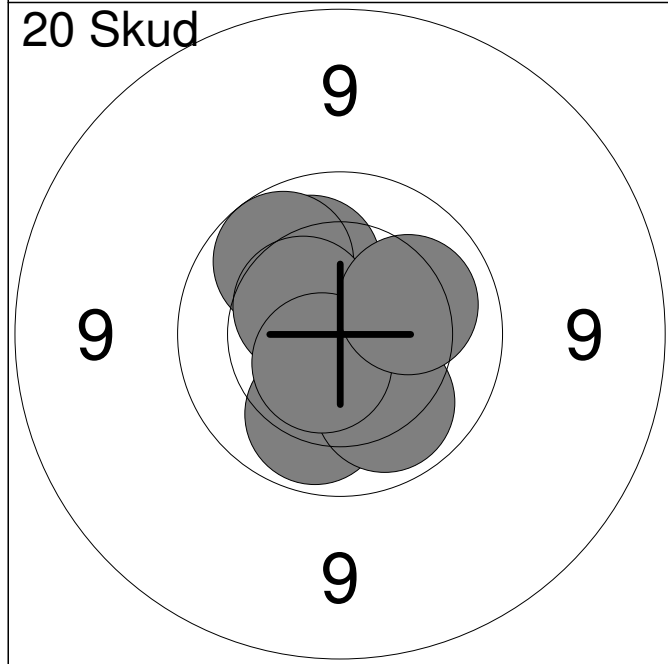
1:	10.4	↗
2:	*10.5	↓
3:	*10.6	↗
4:	9.7	↓
5:	10.1	↓
6:	10.3	↓
7:	10.1	↗
8:	*10.7	↓
9:	9.8	→
10:	10.0	↗
Serie		98.0
Total		98.0



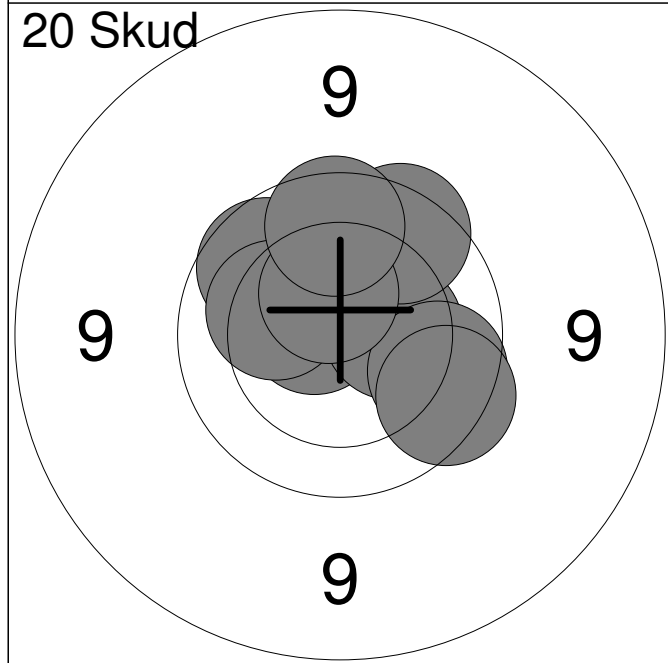
11:	*10.6	↗
12:	*10.8	→
13:	10.3	↗
14:	*10.6	↗
15:	10.3	→
16:	9.7	→
17:	10.4	↗
18:	10.5	↓
19:	10.4	↓
20:	*10.7	↗
Serie		99.0
Total		197.0



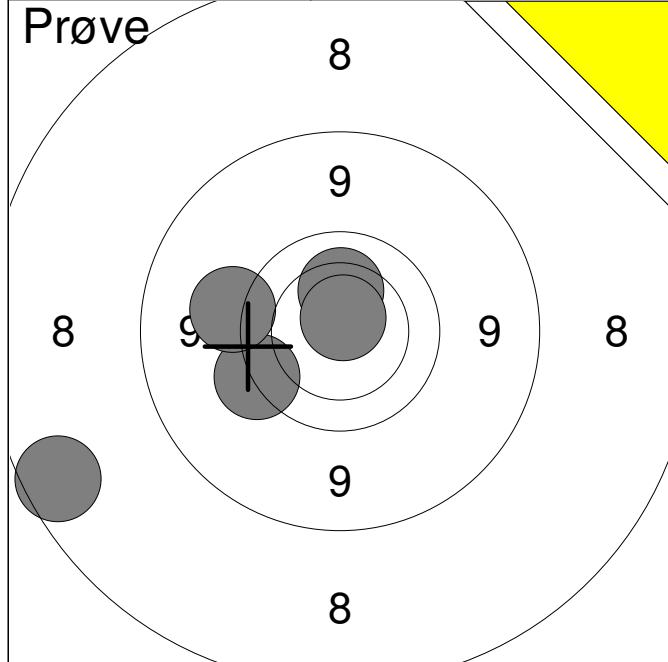
1:	10.0	↗
2:	10.4	↗
3:	*10.9	↘
4:	9.7	↗
5:	9.9	↗
6:	10.2	↖
7:	10.1	↖
8:	9.9	↗
9:	10.0	↗
10:	10.0	↖
Serie		97.0
Total		0.0



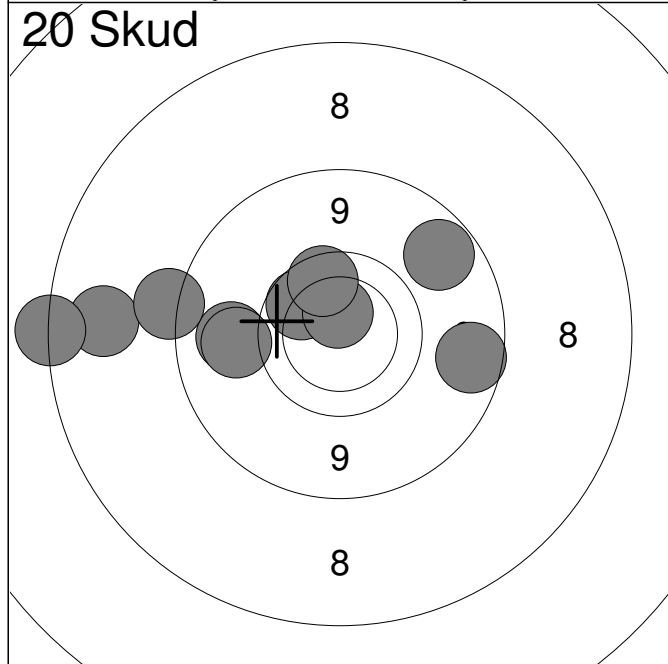
1:	*10.7	↖
2:	*10.8	↖
3:	10.1	↗
4:	10.0	↗
5:	10.2	↘
6:	10.4	↗
7:	10.0	↘
8:	10.1	↘
9:	*10.6	↖
10:	10.2	↗
Serie		100.0
Total		100.0



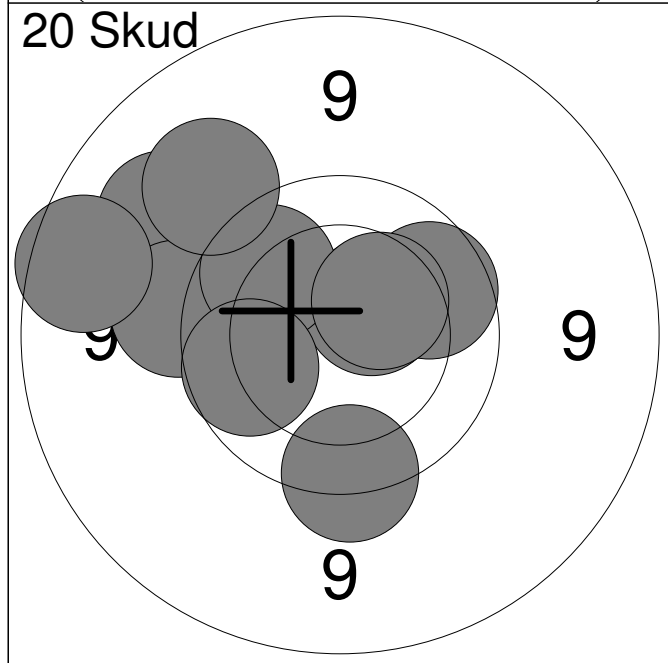
11:	*10.6	↖
12:	10.4	→
13:	9.9	↘
14:	10.2	↗
15:	9.9	↗
16:	9.8	↗
17:	10.2	↗
18:	9.8	↘
19:	10.5	↗
20:	9.8	↗
Serie		95.0
Total		195.0



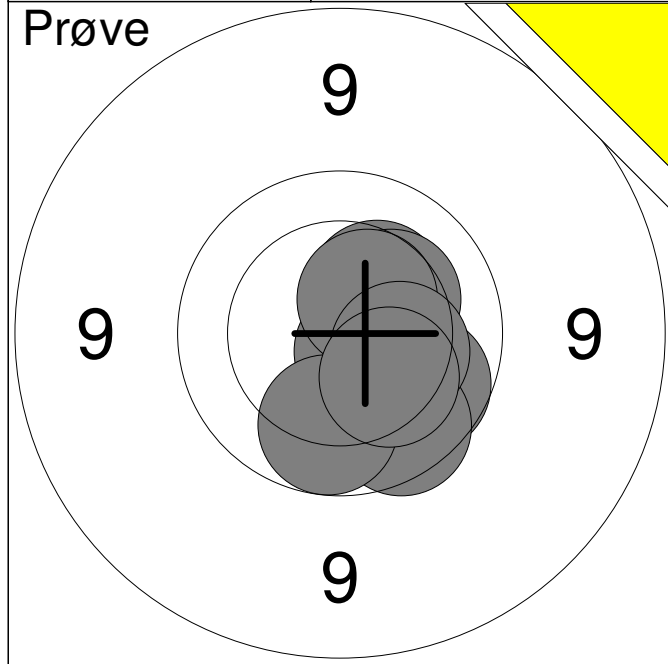
1:	10.2	↑
2:	9.6	↙
3:	9.4	↙
4:	7.9	↙
5:	*10.7	↑
Serie		45.0
Total		0.0



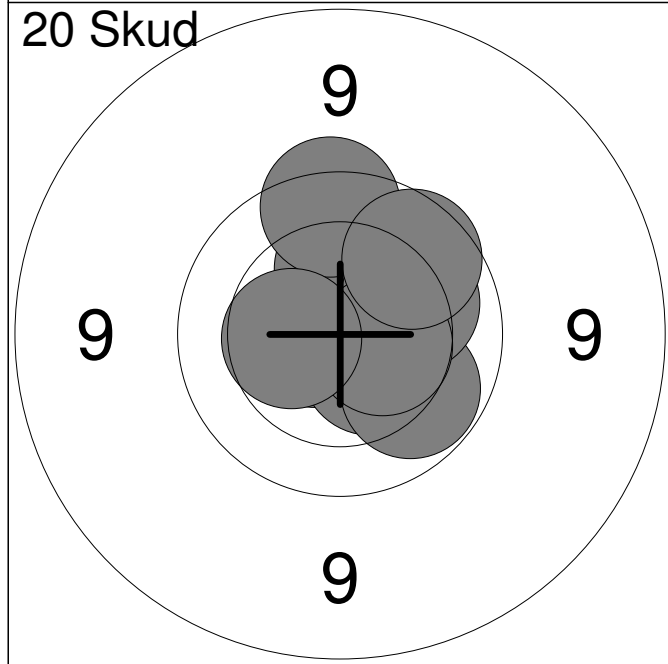
1:	8.9	→
2:	9.2	←
3:	9.9	↗
4:	*10.5	↑
5:	8.1	←
6:	7.7	←
7:	9.8	↑
8:	9.3	←
9:	9.0	↗
10:	8.6	←
Serie		86.0
Total		86.0



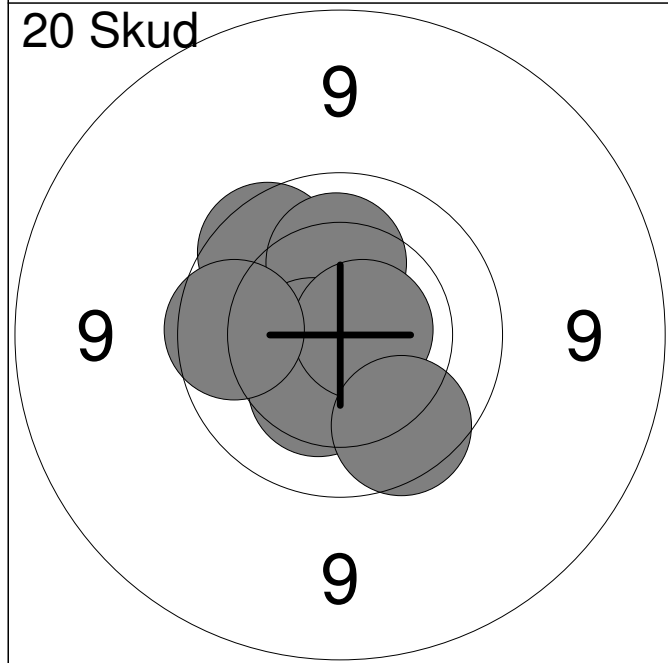
11:	9.2	↖
12:	9.9	↗
13:	10.5	↗
14:	9.5	←
15:	9.9	↗
16:	10.4	↗
17:	9.6	↓
18:	9.9	←
19:	8.9	↖
20:	9.3	↗
Serie		91.0
Total		177.0



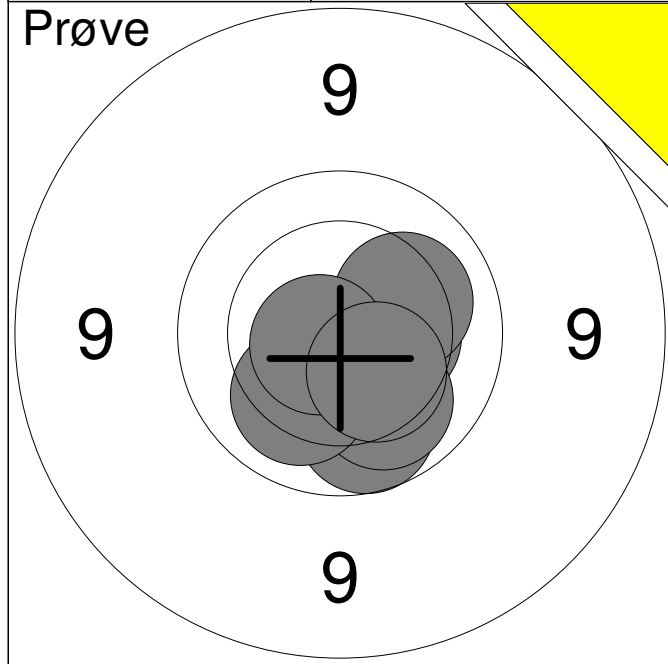
1:	10.3	↗
2:	9.9	→
3:	10.3	↗
4:	*10.6	↘
5:	9.8	↘
6:	10.5	↗
7:	10.3	→
8:	10.0	↘
9:	10.2	↘
Serie		88.0
Total		0.0



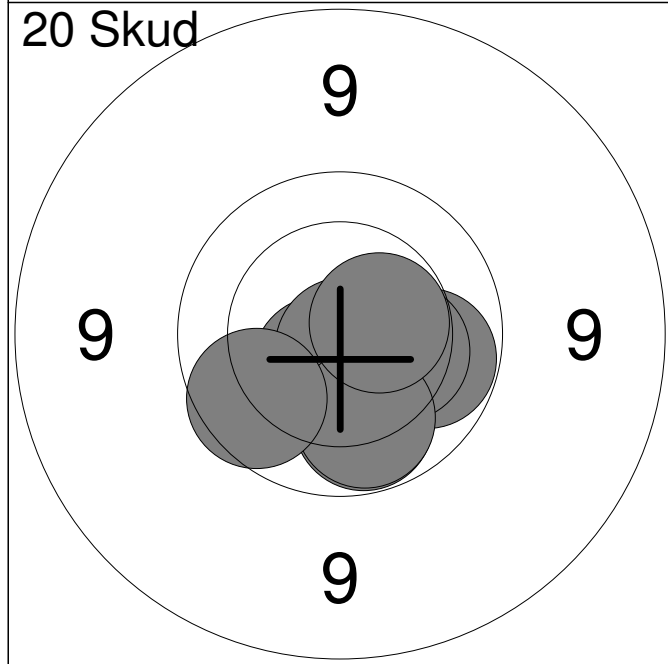
1:	10.2	↑
2:	*10.7	←
3:	10.5	↘
4:	10.0	↘
5:	*10.8	↗
6:	10.1	↗
7:	10.5	→
8:	9.7	↑
9:	10.4	←
10:	9.9	↗
Serie		98.0
Total		98.0



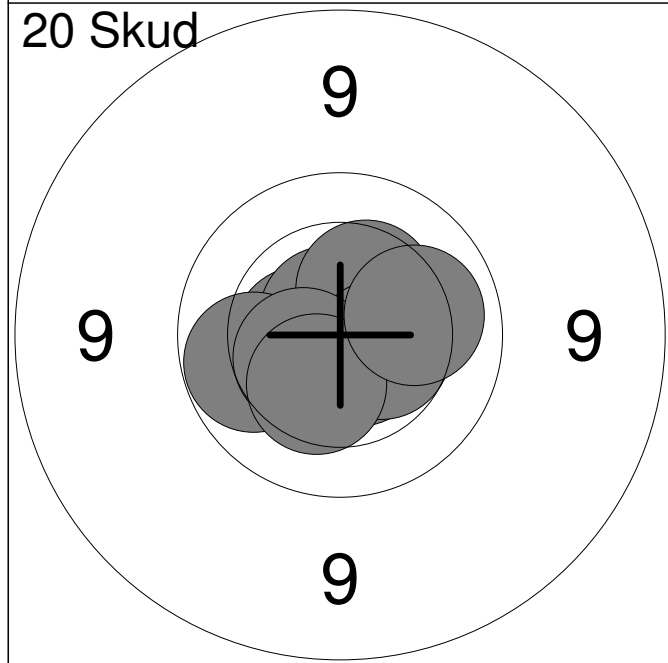
11:	9.8	↗
12:	*10.5	↑
13:	*10.7	↖
14:	*10.9	←
15:	10.2	↑
16:	*10.6	↖
17:	10.3	↘
18:	*10.7	→
19:	9.8	↘
20:	9.9	←
Serie		97.0
Total		195.0



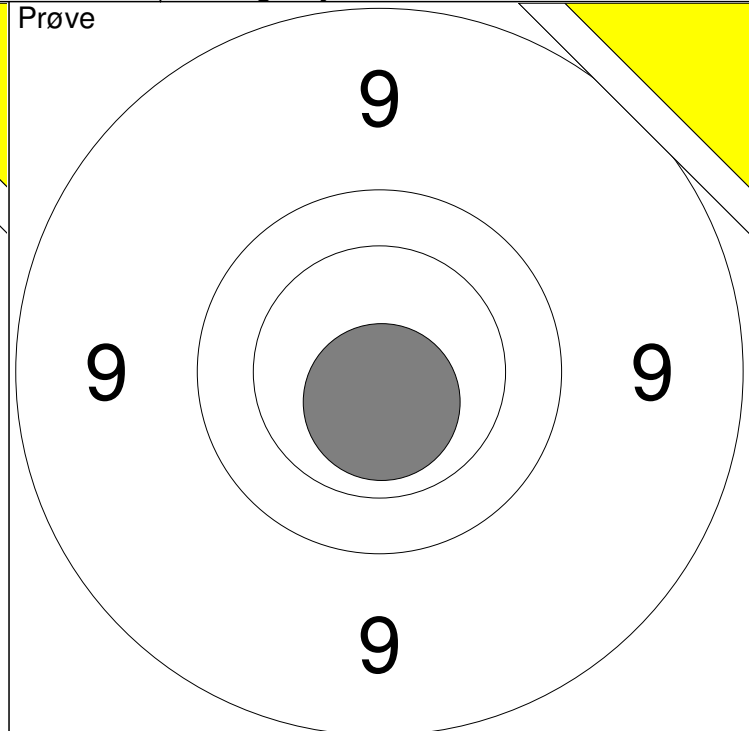
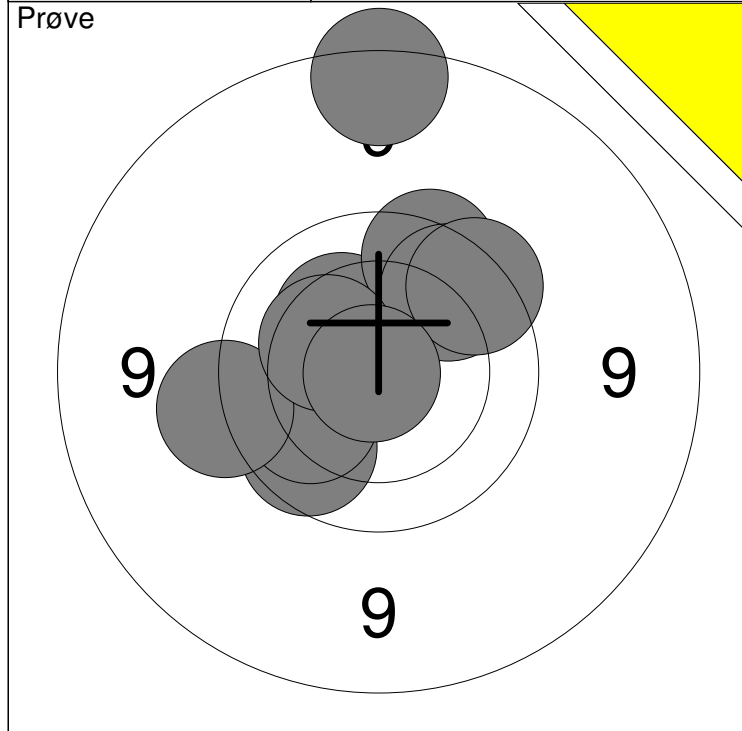
1:	*10.8	↘
2:	9.9	↘
3:	10.4	→
4:	10.1	↘
5:	10.2	↗
6:	10.2	↘
7:	*10.7	↙
8:	10.4	↘
Serie		79.0
Total		0.0



1:	10.1	↘
2:	*10.7	↘
3:	*10.6	↘
4:	10.0	→
5:	10.0	↘
6:	*10.8	↘
7:	10.3	→
8:	10.0	↘
9:	*10.5	→
10:	9.9	↙
Serie		99.0
Total		99.0

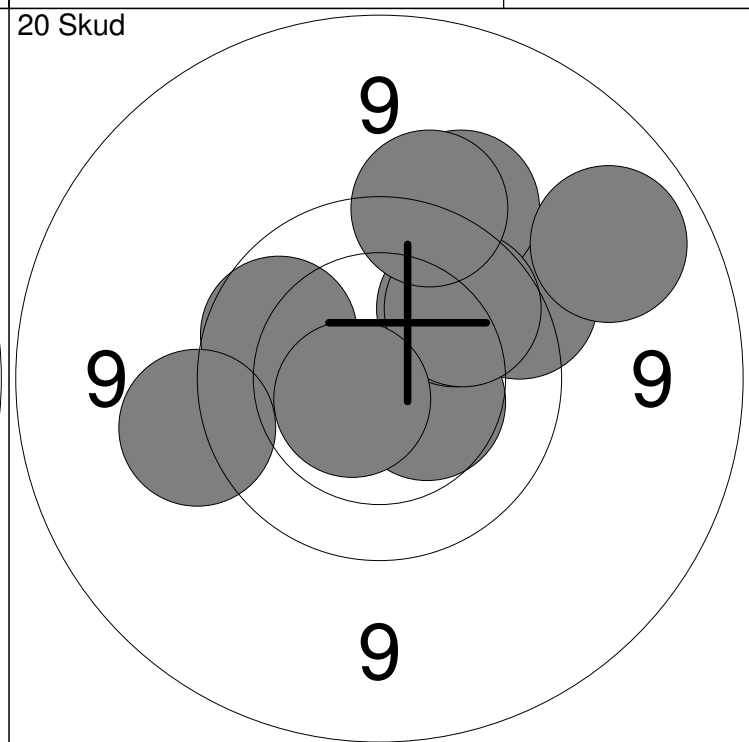
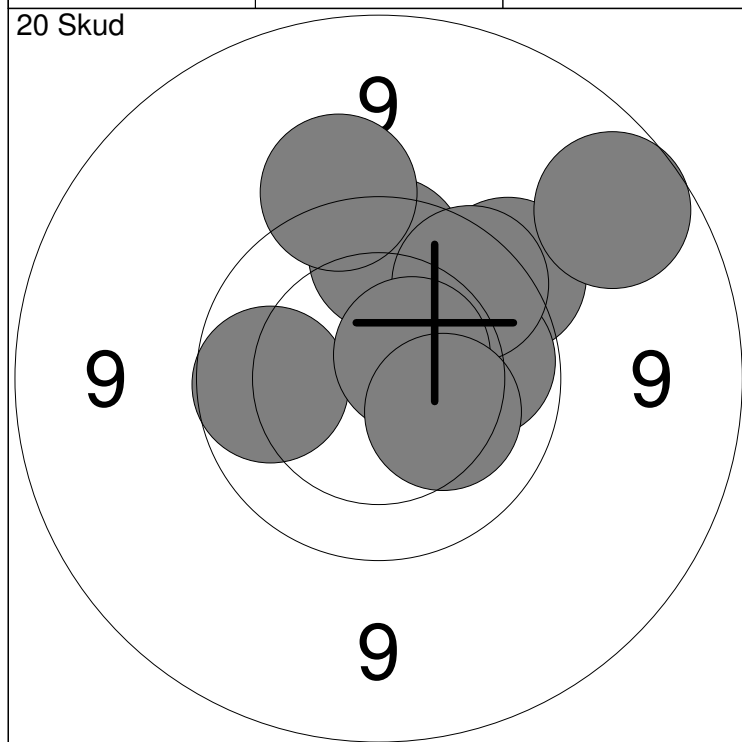


11:	*10.6	←
12:	*10.7	↘
13:	*10.7	↗
14:	*10.7	→
15:	10.4	↗
16:	10.5	→
17:	10.0	↙
18:	10.5	↙
19:	10.4	↘
20:	10.1	→
Serie		100.0
Total		199.0



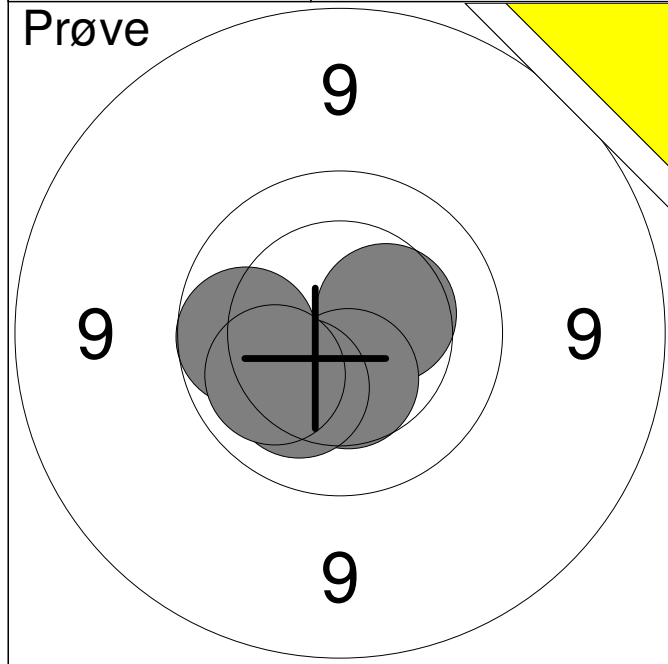
1: 8.8 ↑	6: 9.5 ←	Serie 93.0
2: 9.9 ↘	7: 9.9 ↗	
3: 10.1 ←	8: 9.7 ↗	Total 0.0
4: 10.3 ↖	9: 10.3 ↖	
5: 9.7 ↗	10: *10.9 ↙	

11: *10.7 ↓	Serie 10.0
	Total 0.0

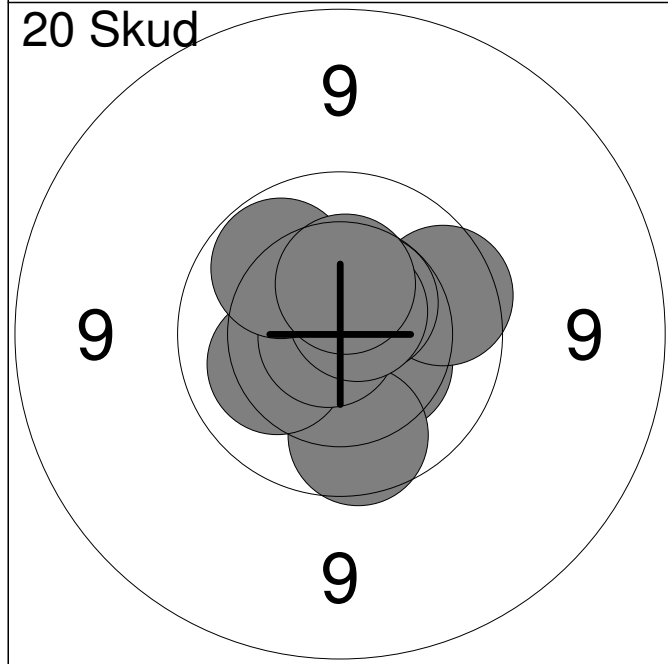


1: 10.3 ↗	6: 10.0 →	Serie 93.0
2: 9.6 ↗	7: 9.8 ↗	
3: 8.9 ↗	8: *10.6 ↗	Total 93.0
4: 9.8 ↑	9: 10.3 →	
5: 9.9 ←	10: 9.5 ↑	

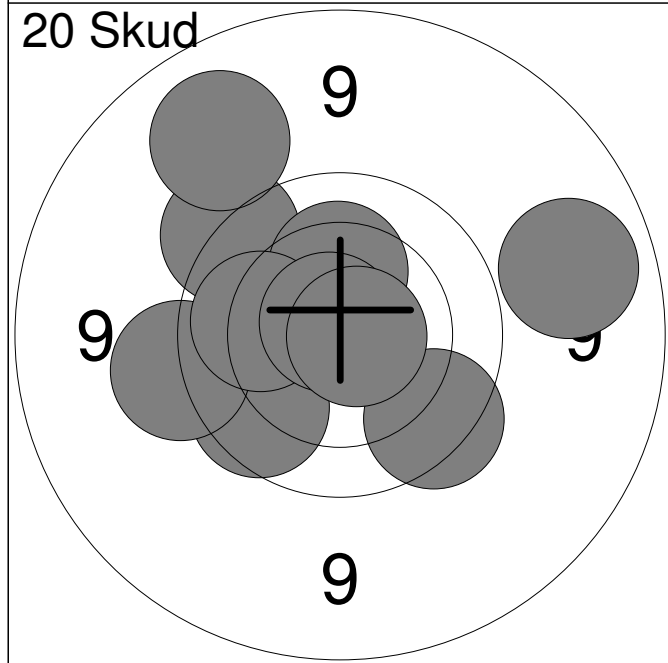
11: 10.4 →	16: 9.9 ←	Serie 93.0
12: 9.6 ↗	17: 9.9 ↗	
13: 9.5 ↑	18: 9.5 ←	Total 186.0
14: 10.0 ↗	19: *10.6 ↙	
15: 9.1 ↗	20: 9.5 ↑	



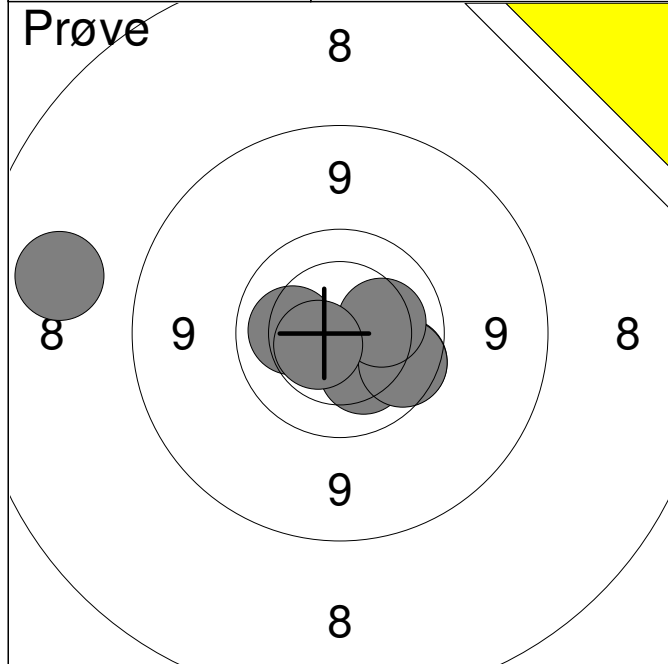
1:	10.4	→
2:	10.5	↓
3:	10.2	↙
4:	9.9	←
5:	10.1	↙
Serie		49.0
Total		0.0



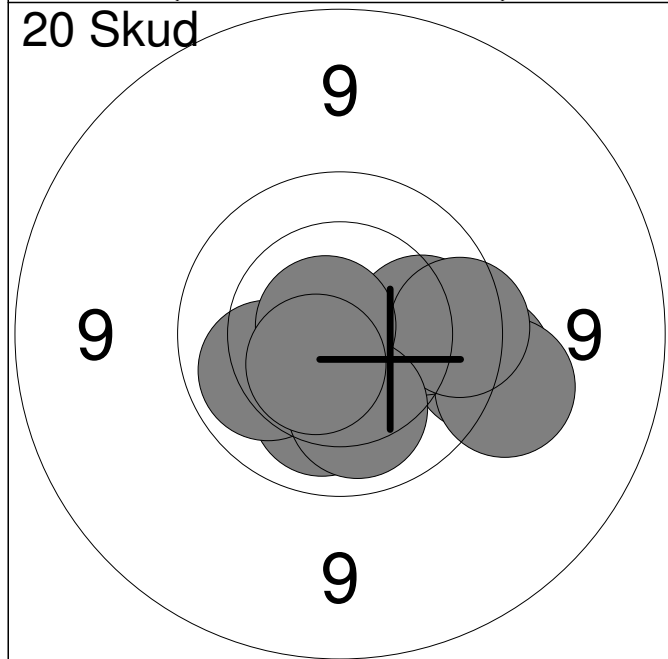
1:	10.4	↘
2:	9.9	↓
3:	9.8	→
4:	10.2	↙
5:	10.5	↑
6:	*10.8	←
7:	*10.5	↗
8:	*10.6	↗
9:	10.0	↖
10:	10.4	↑
Serie		98.0
Total		98.0



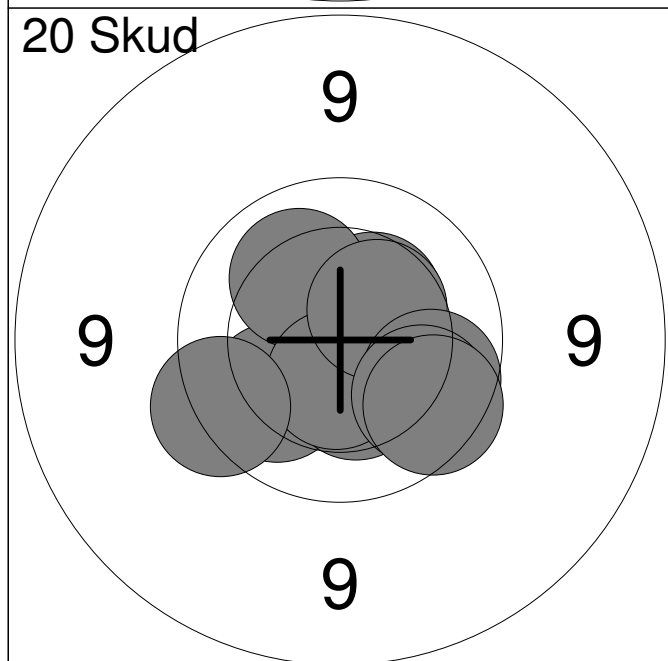
11:	9.6	↗
12:	9.1	↗
13:	9.9	↙
14:	9.7	↘
15:	9.5	←
16:	10.3	↑
17:	9.1	→
18:	10.1	←
19:	*10.8	↗
20:	*10.8	→
Serie		94.0
Total		192.0



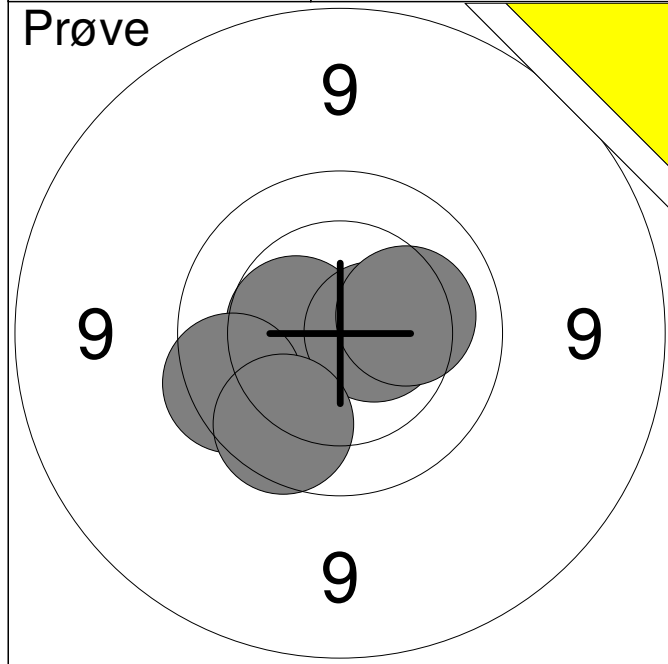
1:	8.2	←
2:	9.9	→
3:	10.5	→
4:	10.2	↓
5:	9.9	→
6:	10.1	←
7:	10.2	→
8:	*10.5	←
Serie		76.0
Total		0.0



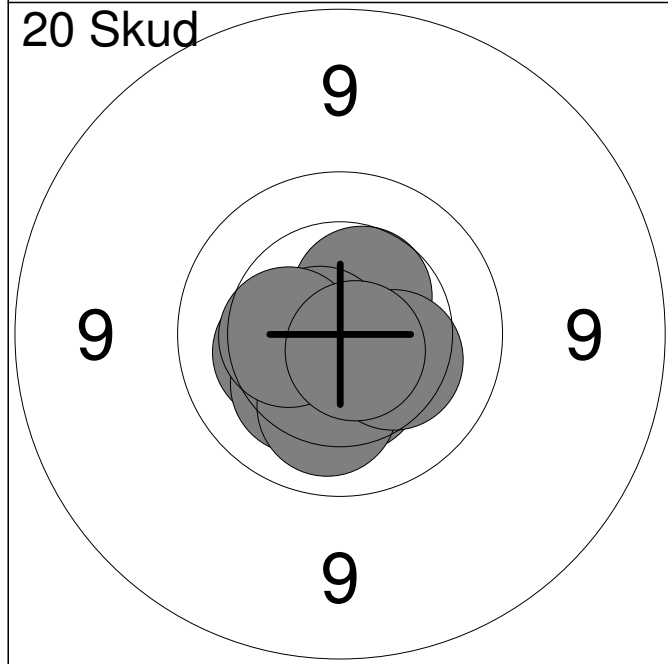
1:	9.9	→
2:	9.6	→
3:	9.5	→
4:	10.1	↓
5:	10.1	→
6:	9.8	→
7:	10.1	←
8:	10.1	↓
9:	*10.8	↗
10:	*10.5	↙
Serie		96.0
Total		96.0



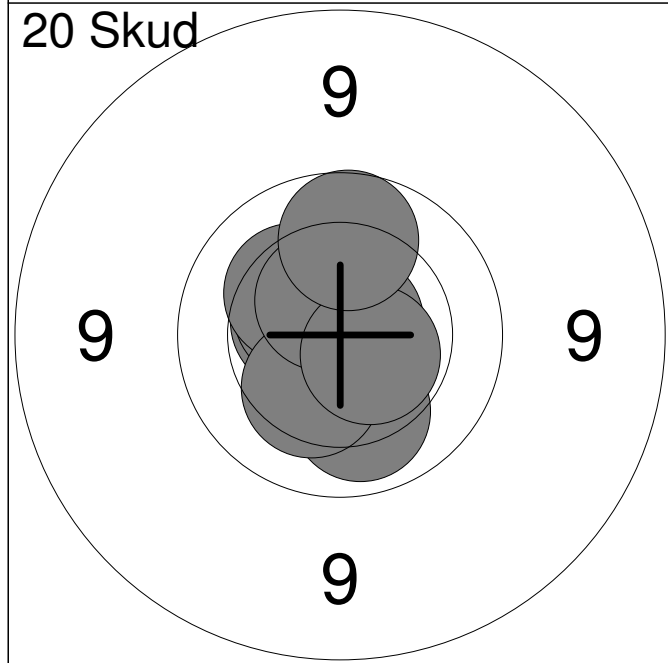
11:	10.1	↙
12:	10.4	↗
13:	10.4	↓
14:	10.2	↗
15:	*10.5	↓
16:	10.4	↗
17:	9.9	→
18:	9.9	↓
19:	9.7	←
20:	9.8	↘
Serie		96.0
Total		192.0



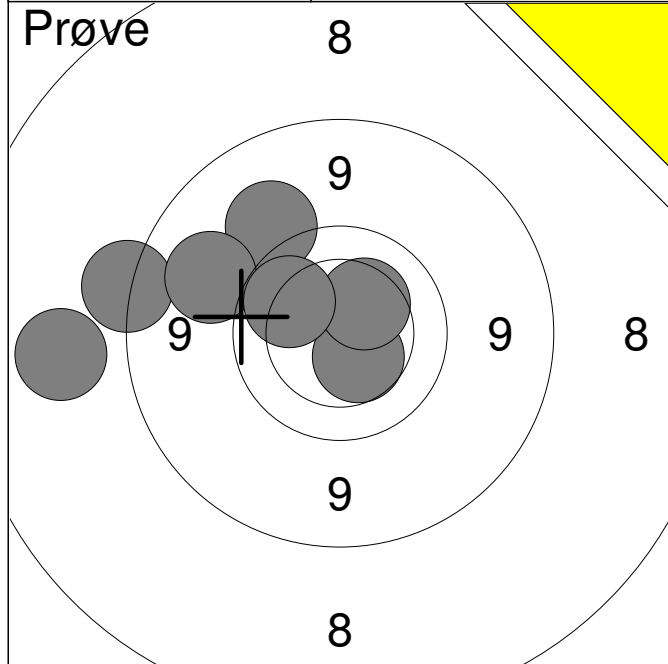
1:	10.5	←
2:	*10.6	→
3:	9.8	←
4:	9.9	↙
5:	10.2	→
Serie		48.0
Total		0.0



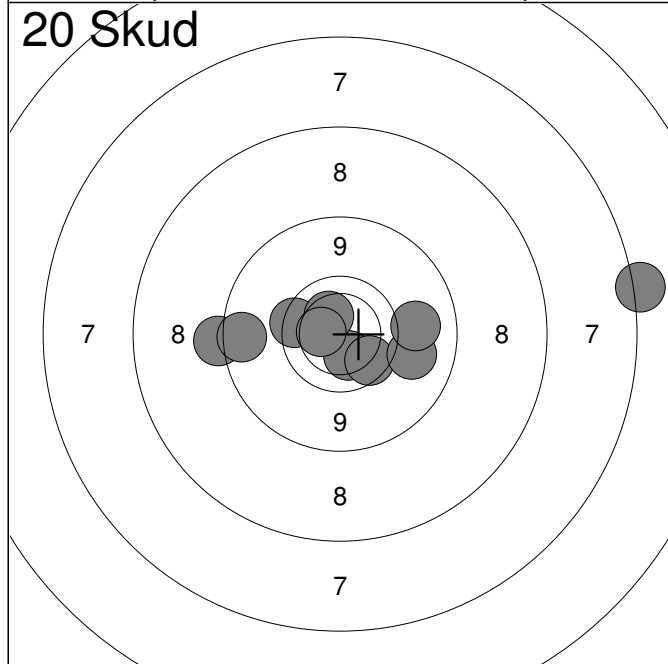
1:	10.5	↗
2:	10.4	↓
3:	10.3	←
4:	*10.7	←
5:	10.3	↙
6:	10.4	↓
7:	10.2	↓
8:	10.4	←
9:	10.3	↘
10:	*10.7	↘
Serie		100.0
Total		100.0



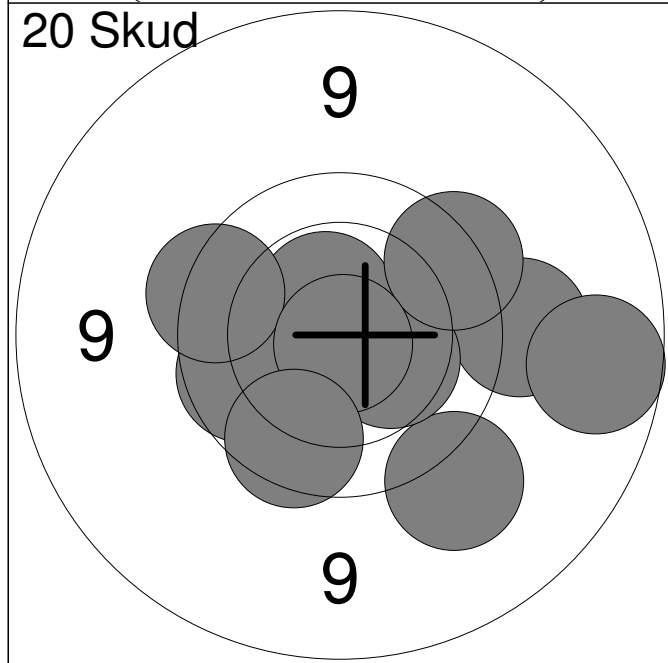
11:	*10.5	←
12:	*10.8	→
13:	10.5	↗
14:	10.3	↗
15:	10.1	↓
16:	*10.7	↗
17:	10.3	↙
18:	*10.5	↗
19:	*10.6	↘
20:	9.9	↑
Serie		99.0
Total		199.0



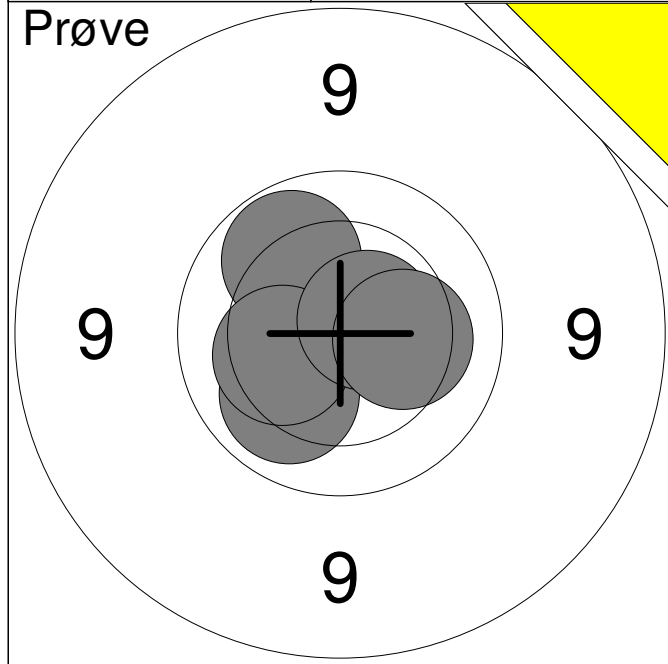
1:	10.5	↘
2:	8.3	←
3:	10.3	↗
4:	9.3	↗
5:	8.6	←
6:	9.2	↗
7:	10.0	↗
Serie		64.0
Total		0.0



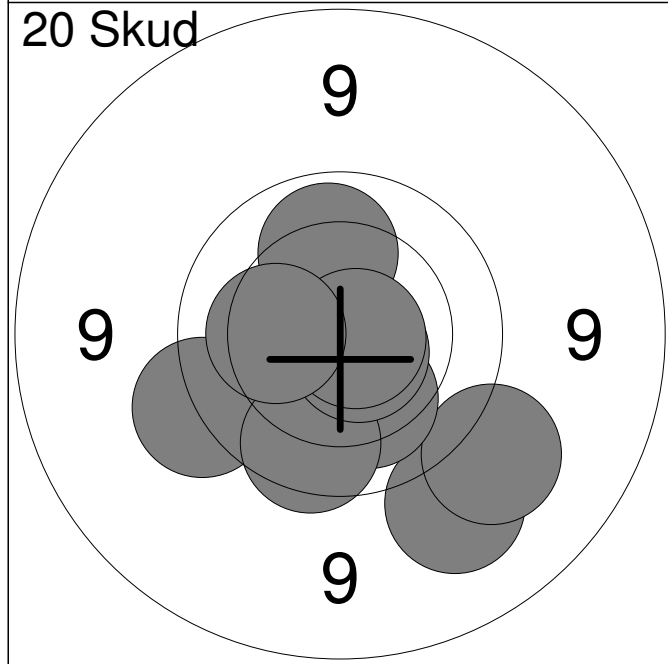
1:	9.7	←
2:	6.6	→
3:	8.6	←
4:	10.3	↘
5:	10.3	↗
6:	9.8	↘
7:	9.2	→
8:	9.2	→
9:	10.4	←
10:	8.9	←
Serie		88.0
Total		88.0



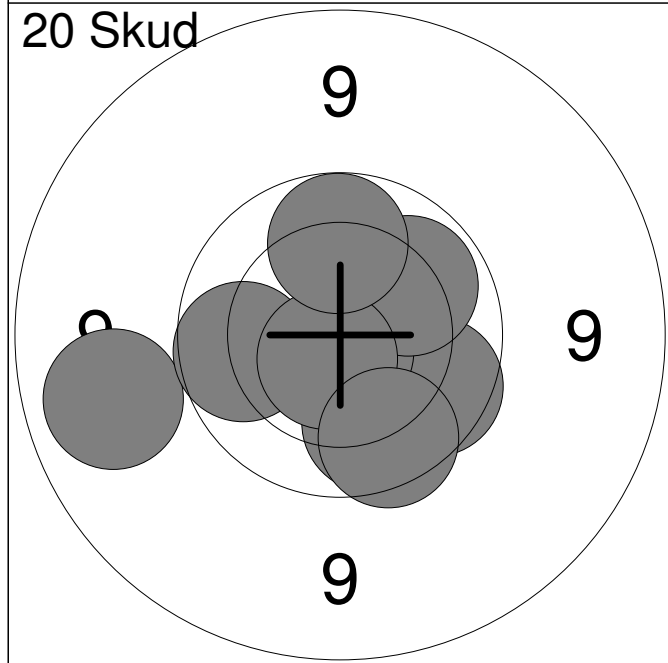
11:	9.4	↘
12:	9.4	→
13:	8.9	→
14:	10.3	↘
15:	*10.6	↗
16:	9.9	←
17:	9.7	↖
18:	9.7	↗
19:	*10.8	↘
20:	9.8	↘
Serie		92.0
Total		180.0



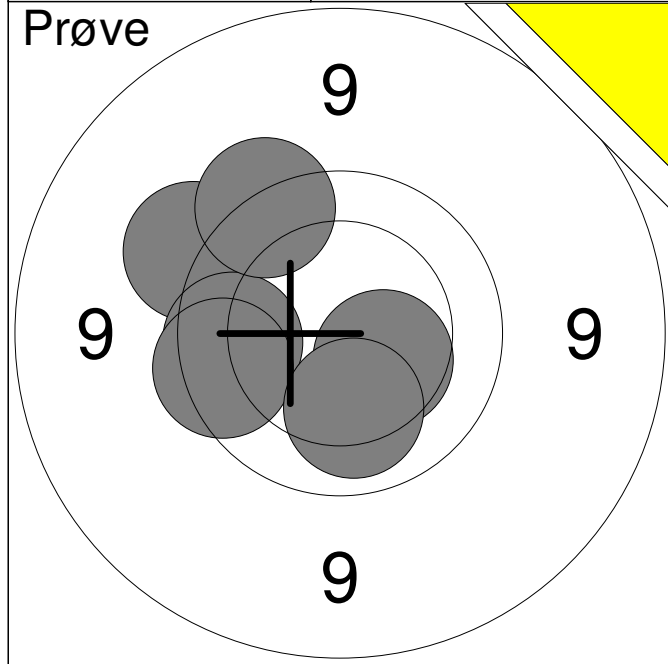
1:	10.0	↗
2:	10.1	↘
3:	10.3	←
4:	*10.6	↗
5:	10.3	→
Serie		50.0
Total		0.0



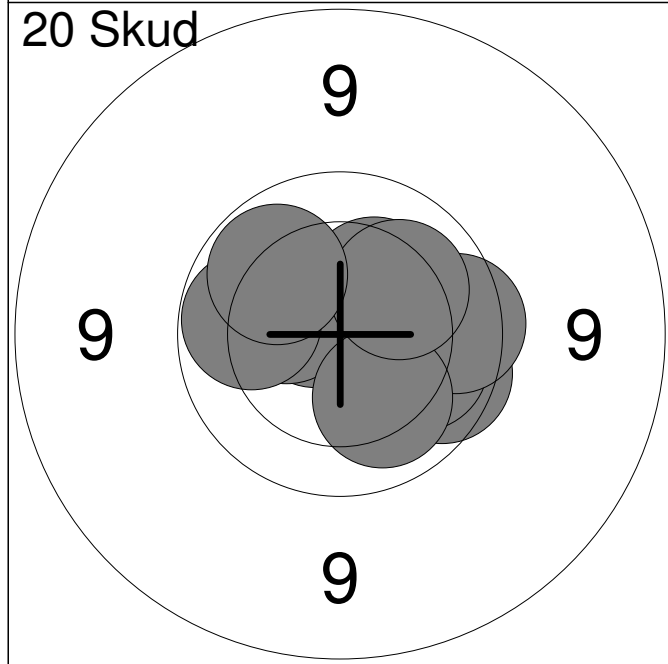
1:	9.3	↘
2:	9.3	↘
3:	9.6	←
4:	10.2	↘
5:	*10.6	←
6:	10.1	↑
7:	9.8	↘
8:	*10.7	↘
9:	*10.8	→
10:	10.3	←
Serie		96.0
Total		96.0



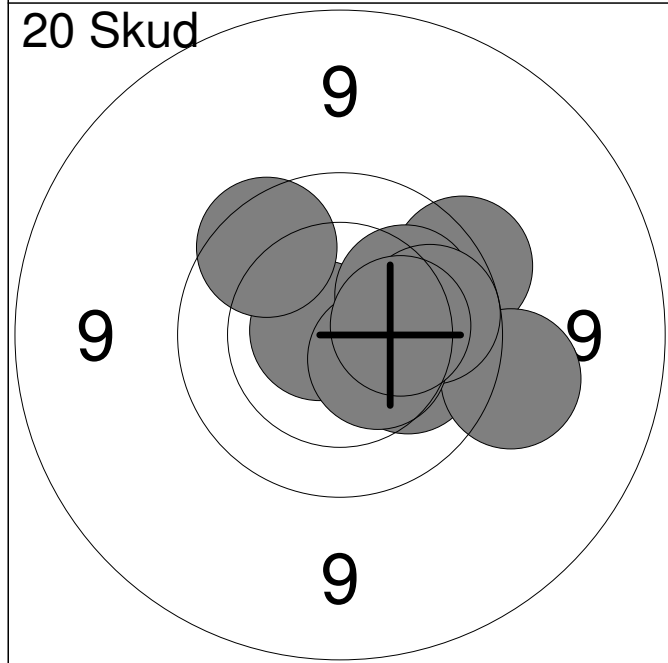
11:	9.1	←
12:	9.9	←
13:	9.9	↘
14:	9.9	↘
15:	10.4	↗
16:	*10.8	↘
17:	10.0	↗
18:	*10.7	↘
19:	10.0	↑
20:	9.8	↘
Serie		95.0
Total		191.0



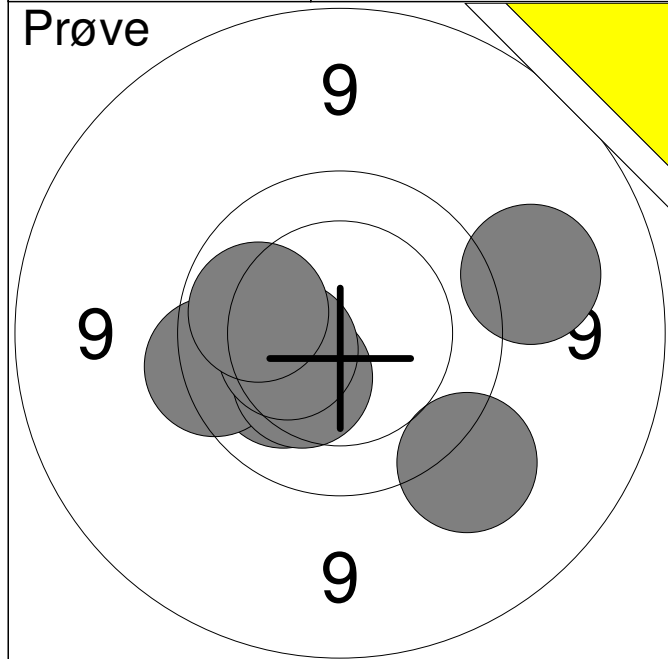
1:	9.5	↗
2:	9.9	↖
3:	9.6	↗
4:	9.8	↖
5:	10.4	↘
6:	10.1	↘
Serie		56.0
Total		0.0



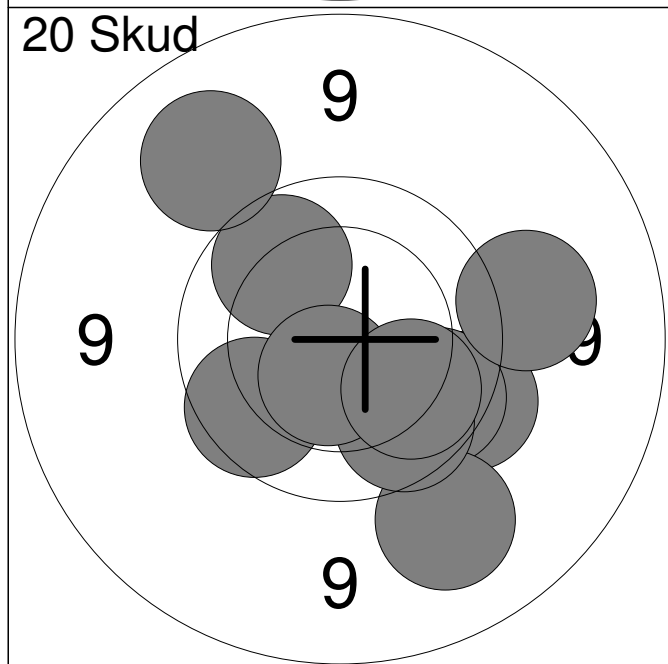
1:	9.8	↘
2:	10.3	↗
3:	*10.6	↗
4:	10.3	↖
5:	10.1	↘
6:	9.8	→
7:	10.0	↖
8:	10.1	↘
9:	10.2	↗
10:	10.0	↗
Serie		98.0
Total		98.0



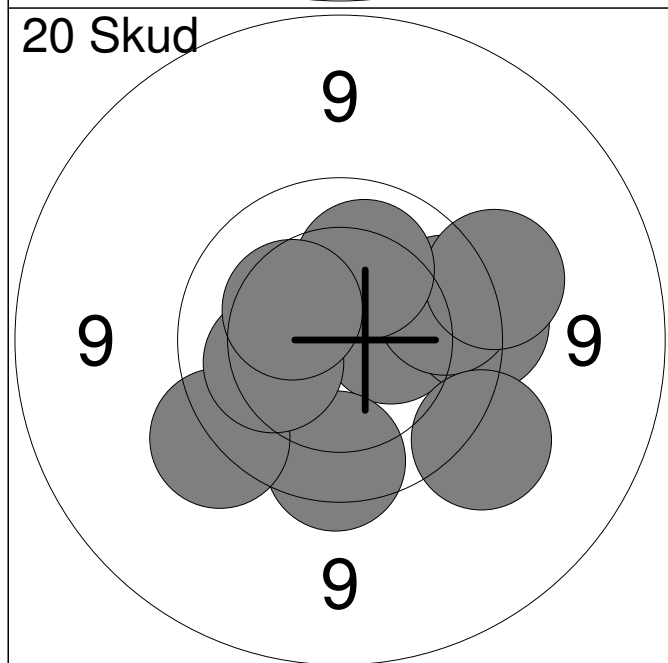
11:	10.3	→
12:	9.7	↗
13:	10.2	↘
14:	*10.7	↖
15:	10.1	↗
16:	9.4	↘
17:	9.8	↗
18:	9.9	→
19:	10.5	↘
20:	10.3	→
Serie		96.0
Total		194.0



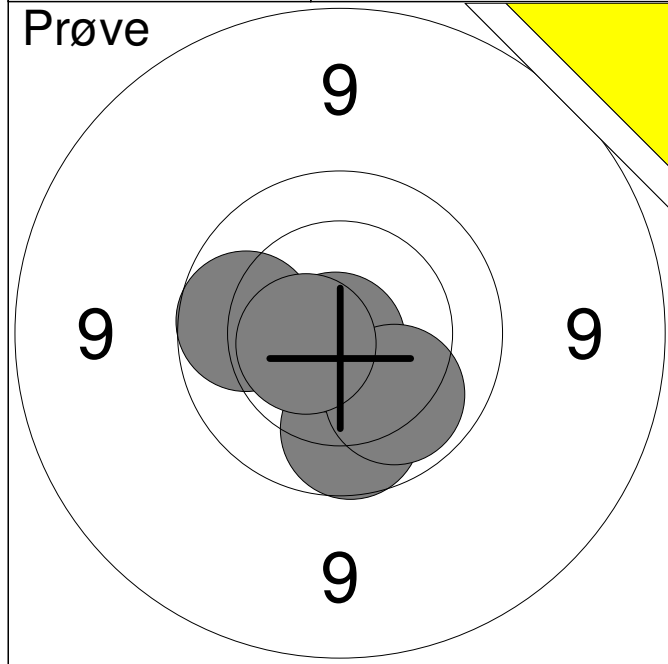
1:	10.2	↙
2:	9.3	→
3:	9.4	↘
4:	9.7	↙
5:	10.3	↙
6:	10.4	↙
7:	10.0	↙
Serie		67.0
Total		0.0



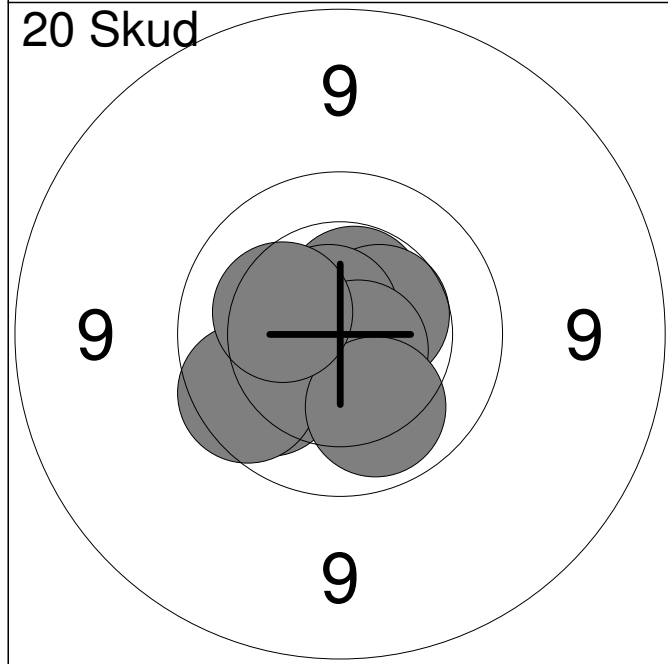
1:	9.8	↙
2:	9.6	↘
3:	9.8	↘
4:	9.2	↘
5:	9.9	↘
6:	9.9	↗
7:	*10.5	↙
8:	10.0	↘
9:	9.2	↗
10:	9.4	→
Serie		92.0
Total		92.0



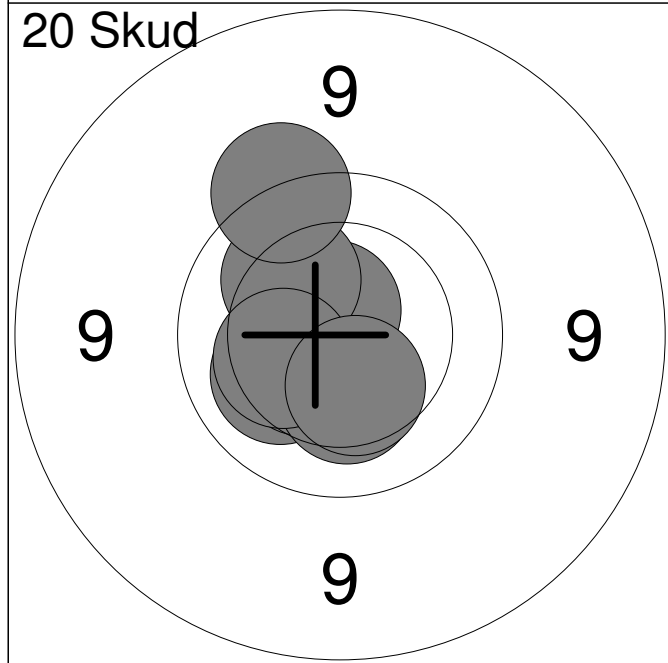
11:	10.4	→
12:	9.8	↓
13:	9.6	↙
14:	10.2	↙
15:	9.7	→
16:	9.8	→
17:	9.5	→
18:	10.1	↗
19:	9.5	↘
20:	10.3	↖
Serie		94.0
Total		186.0



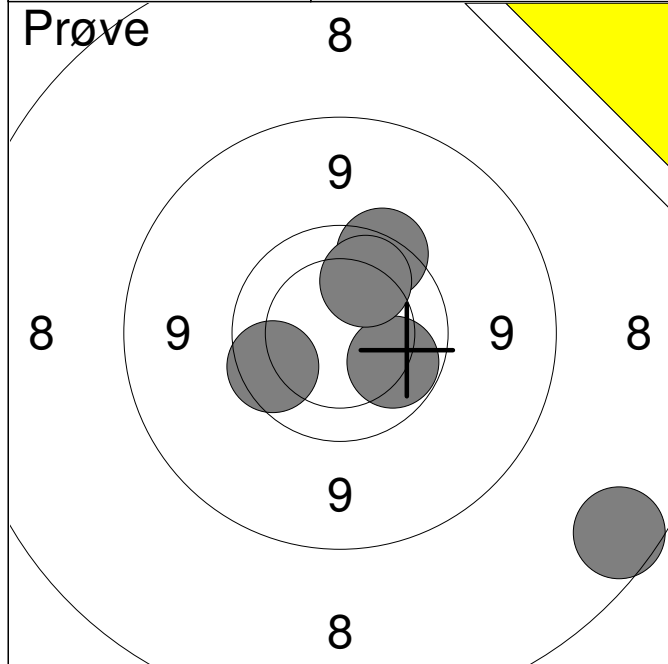
1:	9.9	←
2:	9.9	↓
3:	*10.8	↙
4:	10.1	↘
5:	*10.6	←
Serie		48.0
Total		0.0



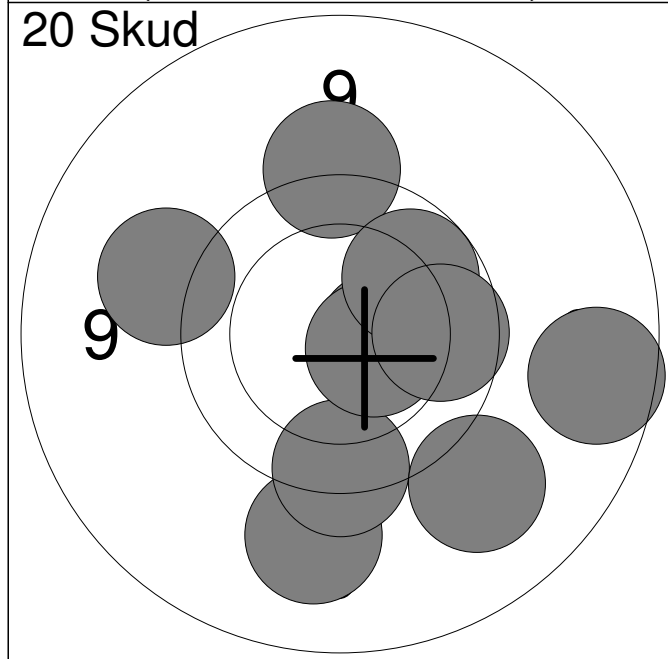
1:	10.4	←
2:	*10.5	↑
3:	10.5	→
4:	*10.8	←
5:	*10.7	↑
6:	10.0	↙
7:	*10.7	↘
8:	9.8	↙
9:	10.1	↓
10:	10.3	↖
Serie		99.0
Total		99.0



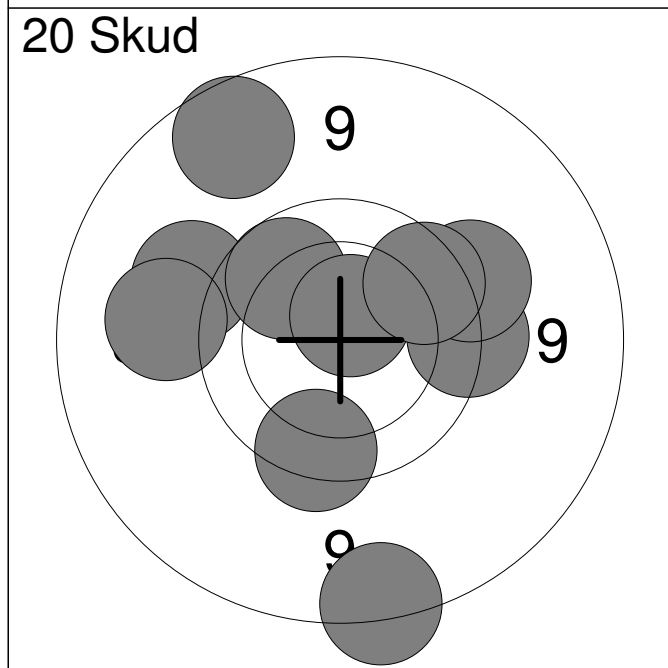
11:	*10.7	↖
12:	10.5	↙
13:	10.2	↙
14:	10.4	↙
15:	*10.7	↑
16:	10.1	↗
17:	10.3	↓
18:	9.6	↑
19:	10.3	↙
20:	10.4	↓
Serie		99.0
Total		198.0



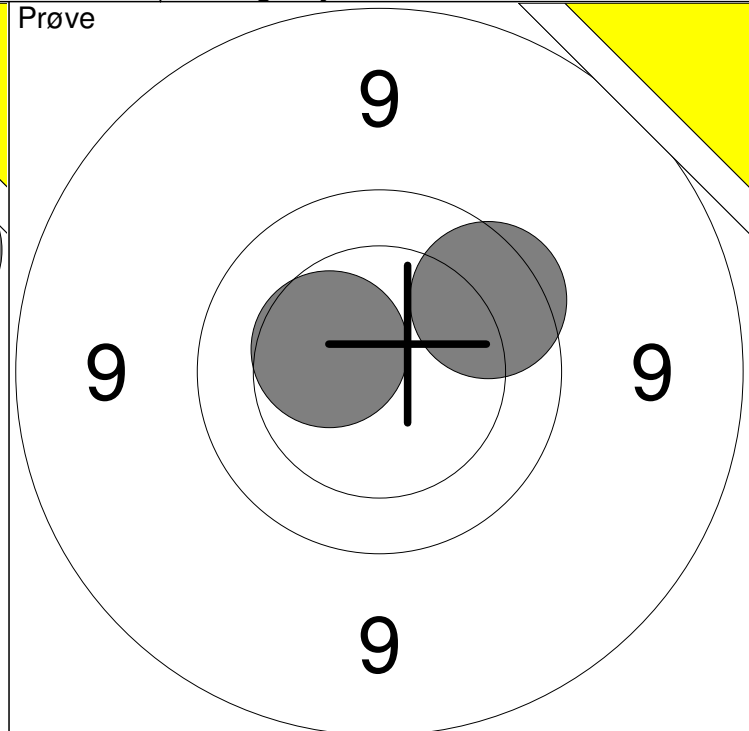
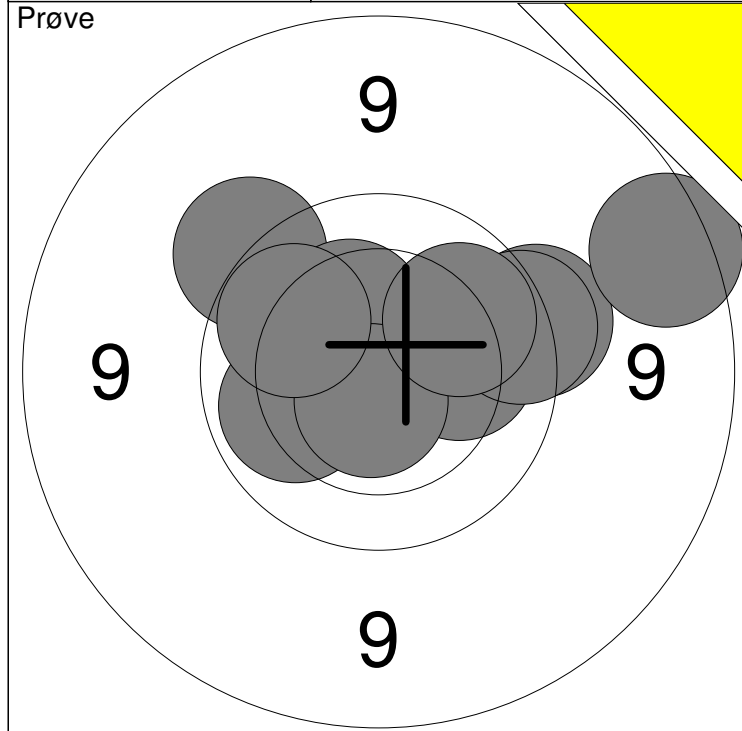
1:	9.8	←
2:	9.7	↗
3:	7.9	↘
4:	10.0	↘
5:	10.0	↗
Serie		45.0
Total		0.0



1:	9.2	↓
2:	9.7	↓
3:	10.5	→
4:	8.9	→
5:	9.2	↘
6:	*10.5	↘
7:	9.5	↑
8:	10.0	↗
9:	9.9	→
10:	9.4	←
Serie		92.0
Total		92.0

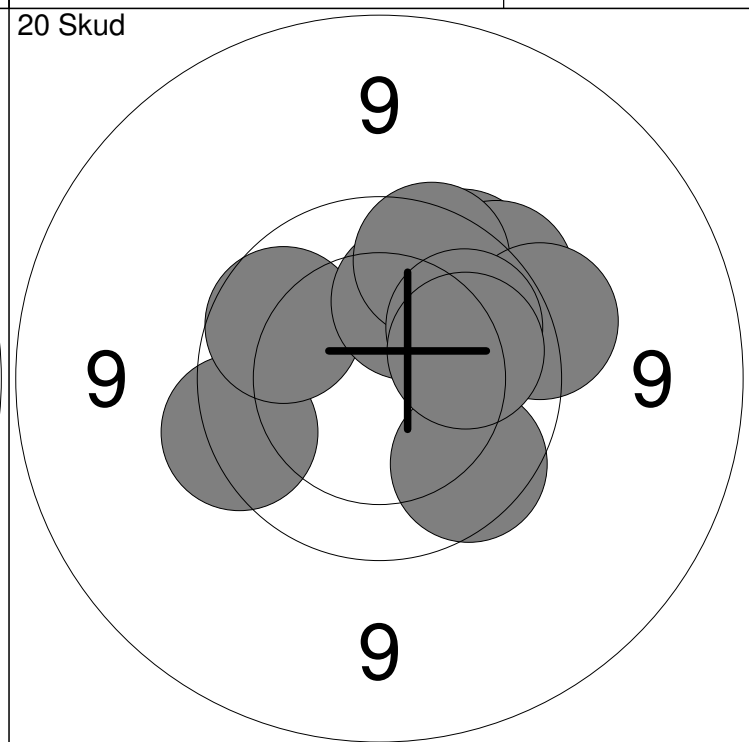
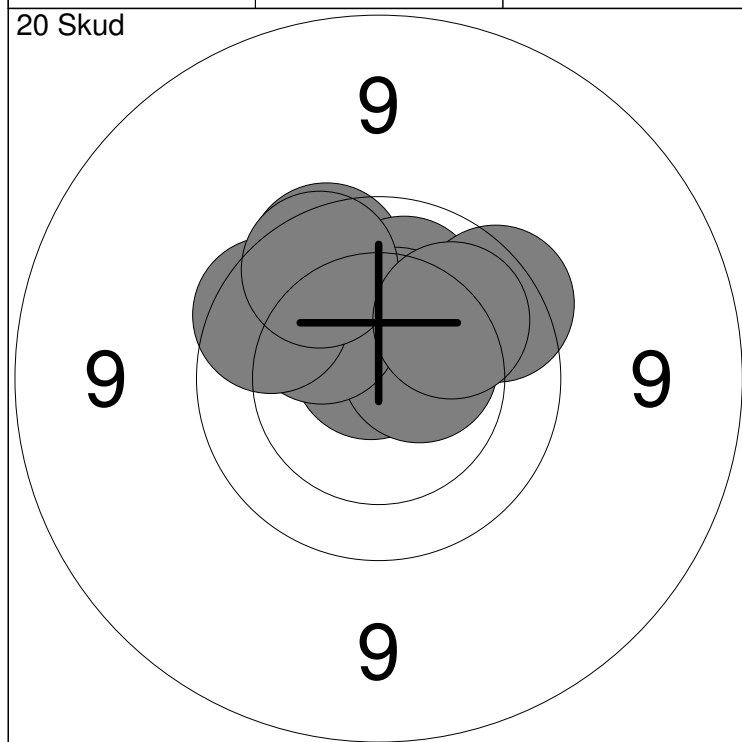


11:	9.4	←
12:	8.9	↗
13:	9.9	↗
14:	9.6	→
15:	9.5	↗
16:	8.7	↓
17:	*10.6	↗
18:	9.8	↗
19:	9.7	↓
20:	9.3	←
Serie		89.0
Total		181.0



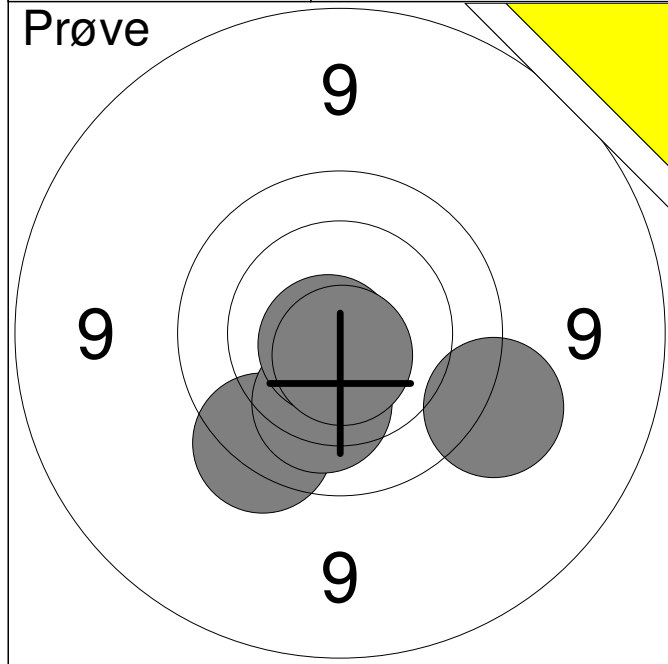
1: 9.6 →	6: *10.7 ↓	Serie	95.0
2: 10.1 ←	7: 9.7 →		
3: 9.5 ↖	8: 10.0 ↗	Total	0.0
4: 10.3 ↗	9: 8.8 →		
5: 10.1 →	10: 10.0 ↖		

11: 9.8 ↗	Serie	19.0
12: 10.4 ↖		
Total		0.0

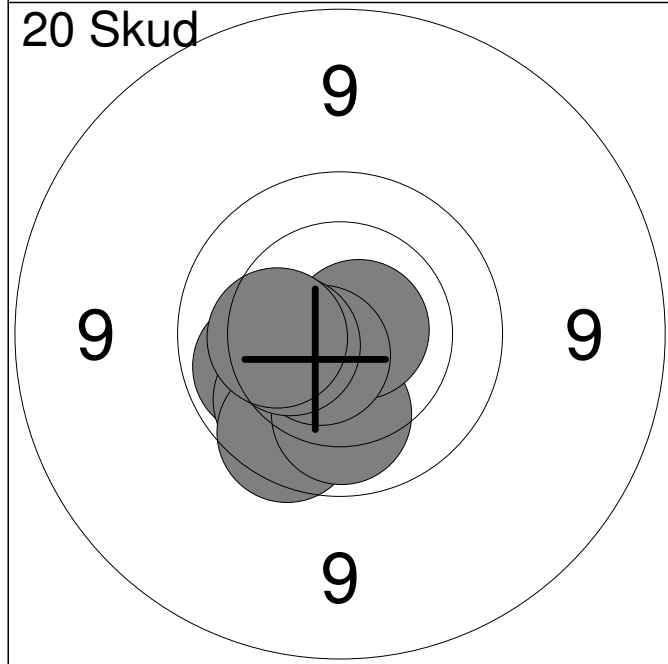


1: *10.8 ↖	6: 10.2 ↖	Serie	96.0
2: 9.8 ↖	7: 9.8 ↖		
3: 10.1 ↗	8: 9.8 →	Total	96.0
4: 10.4 ↗	9: 9.8 ↖		
5: *10.5 →	10: 10.0 ↗		

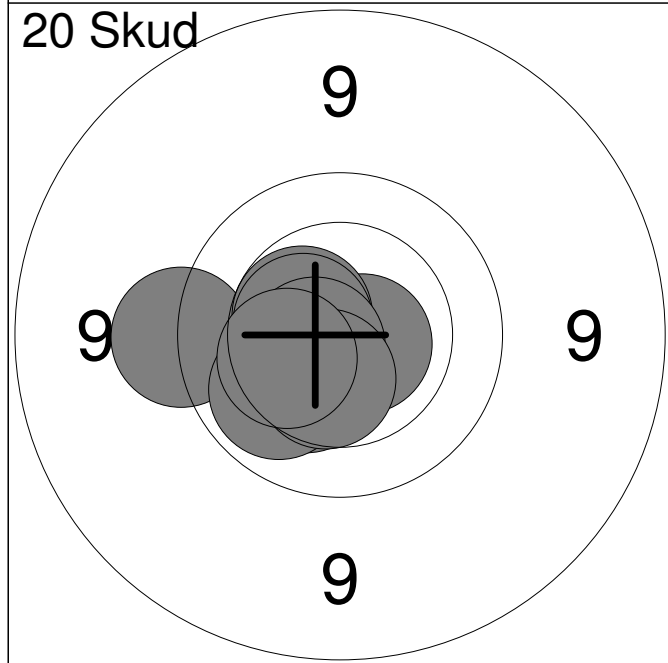
11: 9.7 ←	16: 9.7 ↗	Serie	93.0
12: 9.8 ↗	17: 9.8 ↗		
13: 9.9 ↖	18: 9.6 →	Total	189.0
14: 10.2 ↗	19: 10.0 ↗		
15: 9.8 ↘	20: 10.1 →		



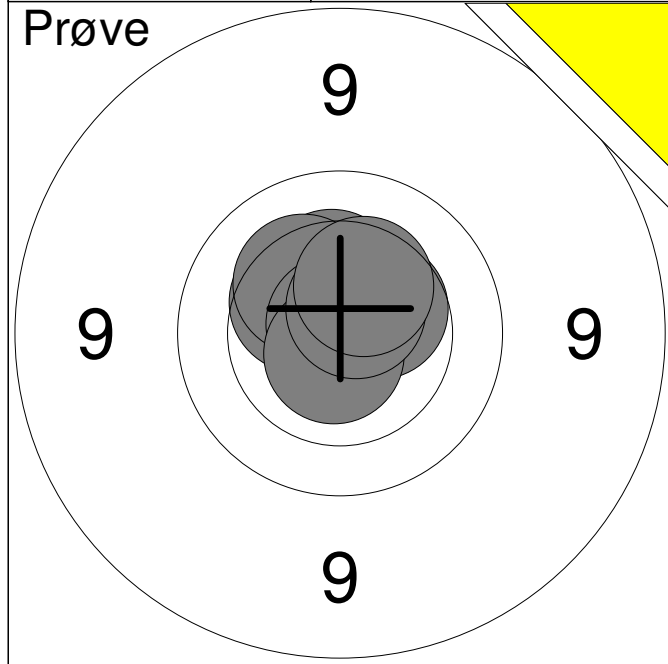
1:	9.5	→
2:	9.7	↙
3:	10.2	↘
4:	*10.8	↙
5:	*10.7	↘
Serie		48.0
Total		0.0



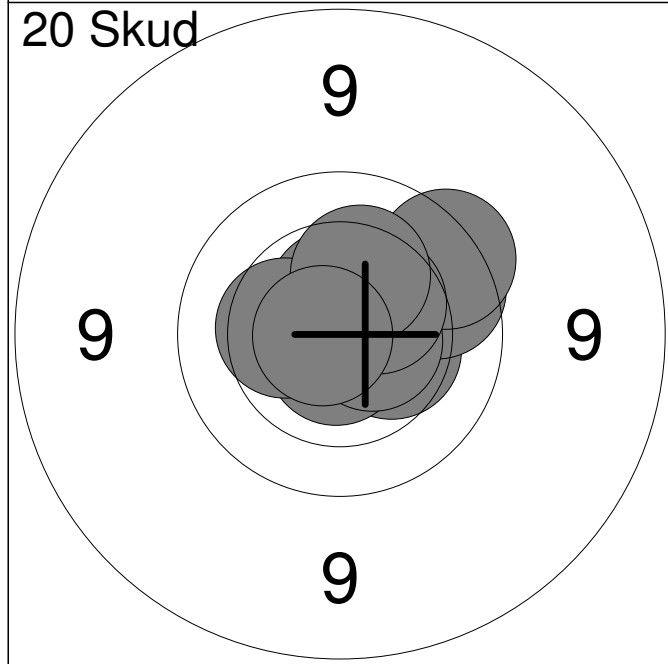
1:	*10.6	↙
2:	*10.6	↙
3:	10.0	←
4:	10.0	↙
5:	9.8	↘
6:	10.1	↘
7:	*10.7	→
8:	*10.6	↙
9:	10.4	←
10:	10.3	←
Serie		99.0
Total		99.0



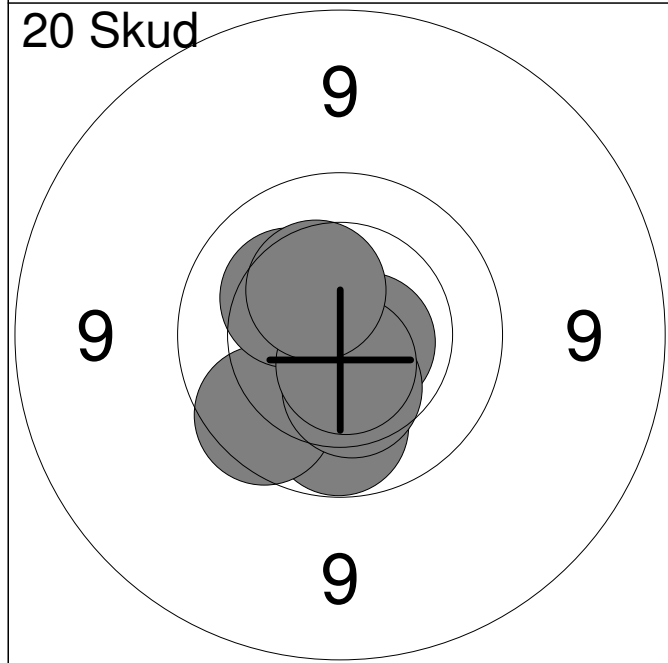
11:	9.5	←
12:	*10.5	↙
13:	*10.7	→
14:	*10.5	↗
15:	10.3	↘
16:	10.1	↙
17:	*10.5	←
18:	*10.6	←
19:	10.5	↘
20:	10.3	←
Serie		99.0
Total		198.0



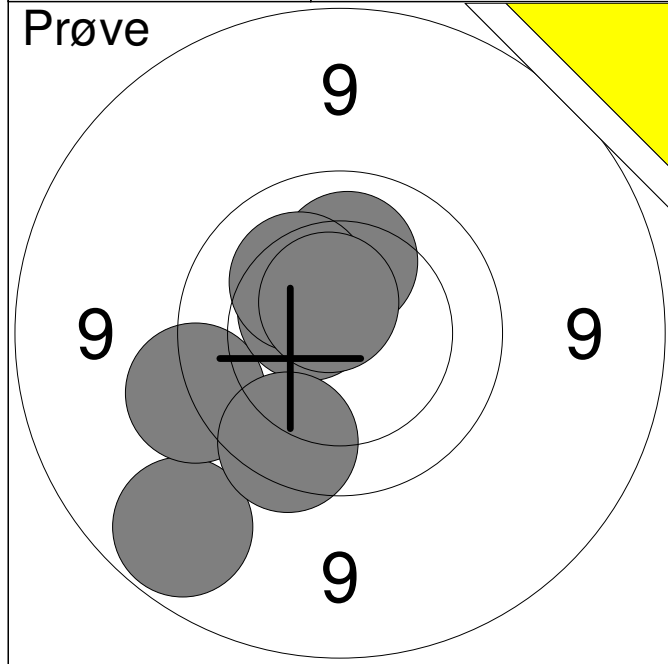
1:	10.4	↗
2:	10.4	↑
3:	10.3	↗
4:	10.5	↗
5:	*10.8	↑
6:	*10.7	↓
7:	*10.6	↗
8:	10.4	↗
Serie		80.0
Total		0.0



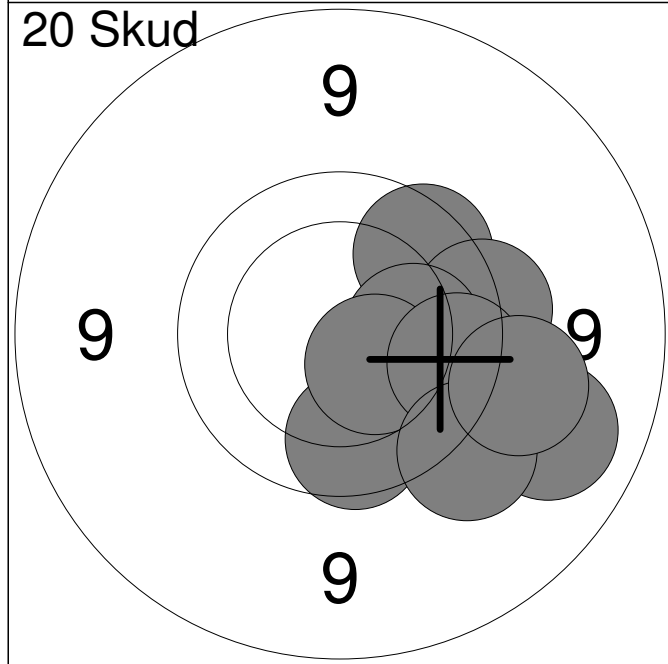
1:	10.4	→
2:	*10.7	↓
3:	9.9	↗
4:	*10.6	↑
5:	9.7	↗
6:	*10.6	→
7:	10.4	↗
8:	10.4	←
9:	10.3	↑
10:	*10.8	←
Serie		98.0
Total		98.0



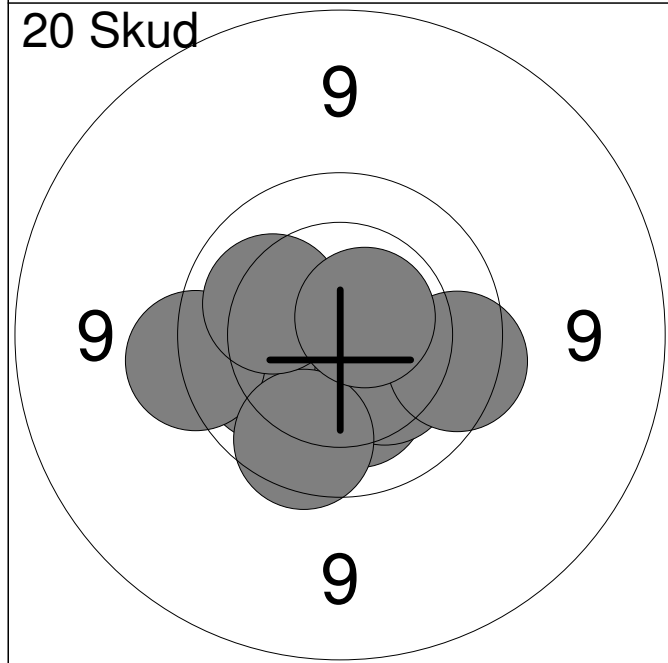
11:	*10.5	↓
12:	10.0	↓
13:	*10.7	↙
14:	*10.6	↙
15:	9.8	↙
16:	*10.7	→
17:	10.3	↗
18:	10.4	↓
19:	*10.6	↓
20:	10.4	↗
Serie		99.0
Total		197.0



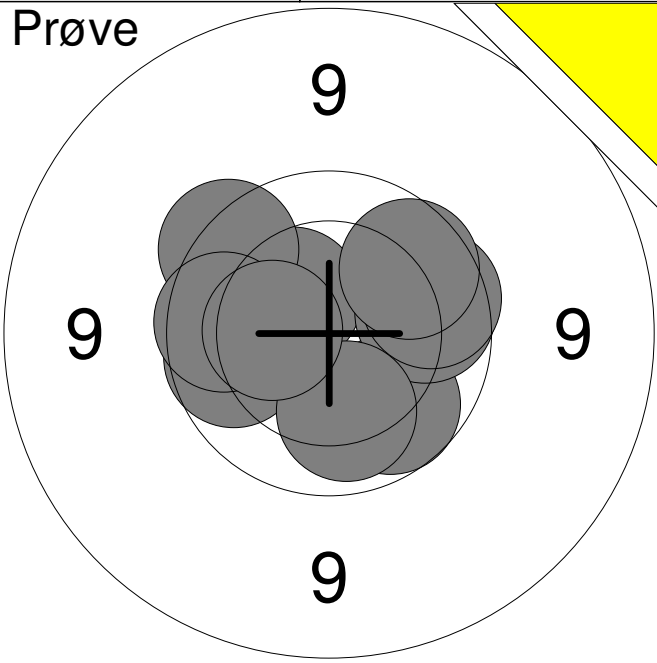
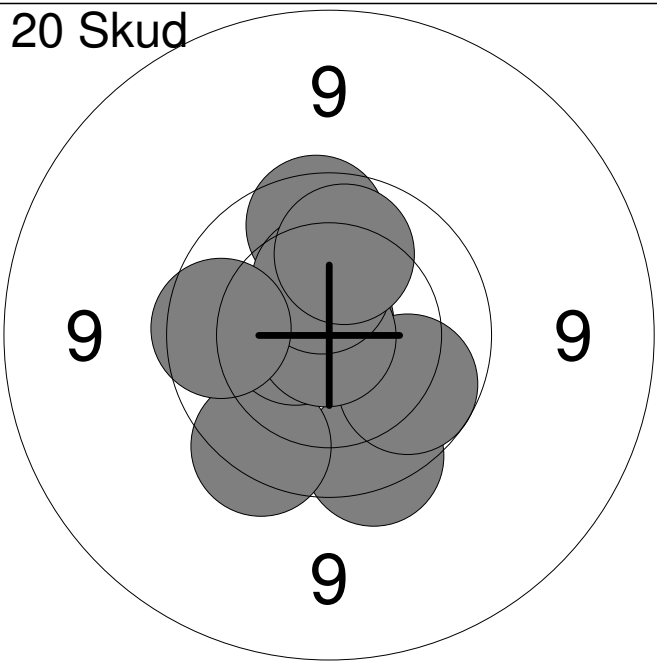
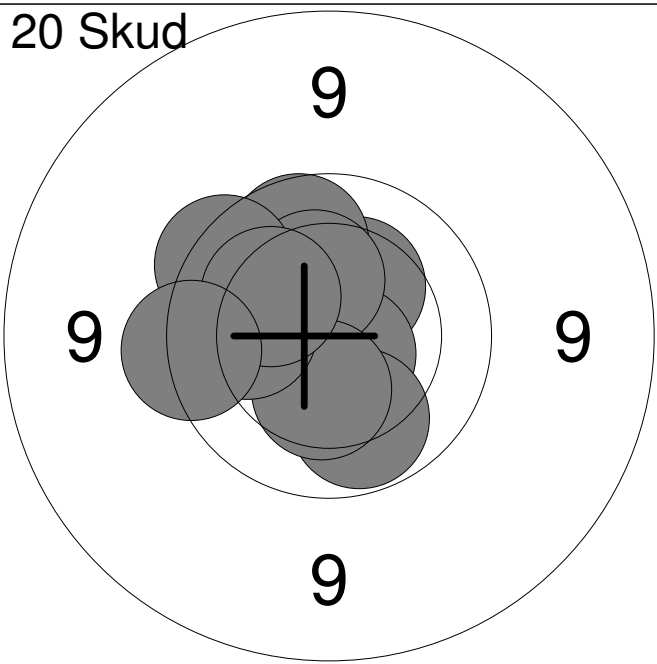
1:	9.0	↙
2:	10.2	↑
3:	9.6	↙
4:	*10.5	↗
5:	9.8	↙
6:	10.2	↗
7:	*10.6	↗
Serie		67.0
Total		0.0

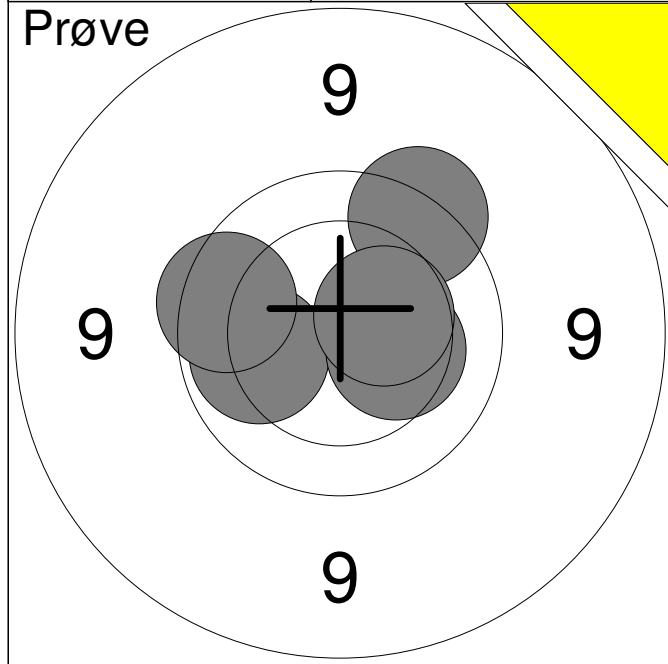


1:	9.8	↗
2:	9.6	→
3:	9.1	↘
4:	10.4	↘
5:	10.2	→
6:	9.9	↘
7:	10.5	↘
8:	9.8	→
9:	9.5	↘
10:	9.4	→
Serie		93.0
Total		93.0

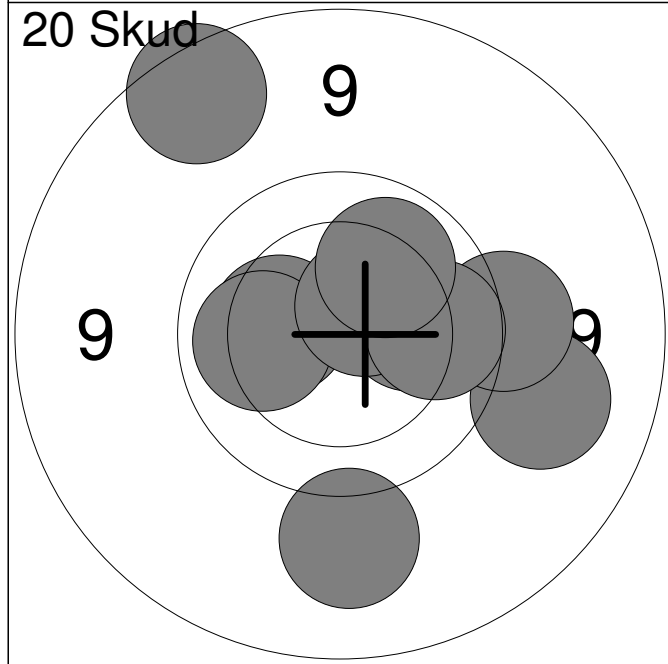


11:	10.1	↙
12:	10.3	↘
13:	*10.8	↗
14:	10.1	↘
15:	10.3	↘
16:	9.8	→
17:	9.6	↙
18:	9.8	↘
19:	10.2	↗
20:	*10.6	↗
Serie		97.0
Total		190.0

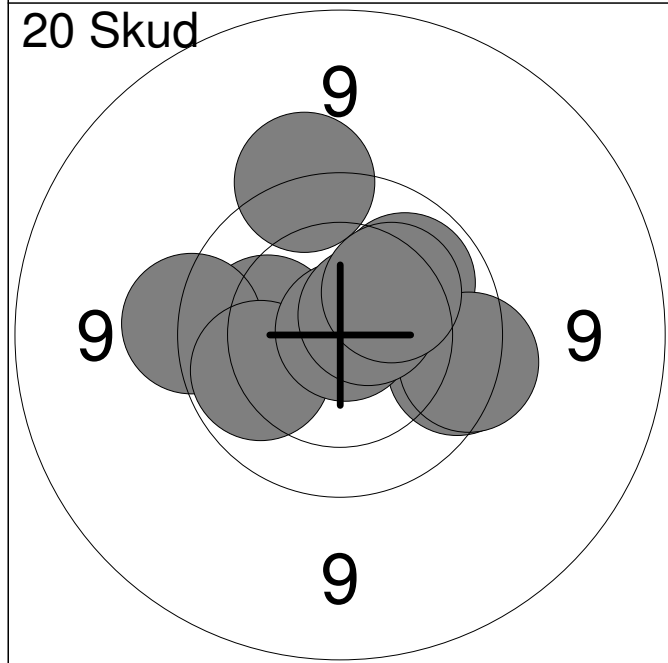
Hold	Skive	Jens Nielsen		
27	1	Vodskov Skytteforening	MÅ2	
15m				
26.02.2013	NM Senior 2013	Aalborg Skyttekreds		
Prøve 	1:	10.4	↗	
	2:	9.9	↘	
	3:	9.7	↗	
	4:	9.9	→	
	5:	9.9	←	
	6:	10.1	↘	
	7:	9.9	↗	
	8:	9.9	↗	
	9:	9.9	←	
	10:	10.3	←	
	Serie			93.0
Total			0.0	
20 Skud 	1:	9.7	↘	
	2:	9.7	↘	
	3:	*10.8	↗	
	4:	9.9	↘	
	5:	*10.6	←	
	6:	9.8	↑	
	7:	*10.9	←	
	8:	10.4	↑	
	9:	9.9	←	
	10:	10.1	↑	
	Serie			95.0
Total			95.0	
20 Skud 	11:	10.3	↗	
	12:	*10.7	↘	
	13:	10.0	↘	
	14:	9.9	↗	
	15:	10.3	↗	
	16:	10.4	↘	
	17:	10.1	←	
	18:	9.7	↗	
	19:	10.2	↗	
	20:	9.7	←	
	Serie			97.0
Total			192.0	



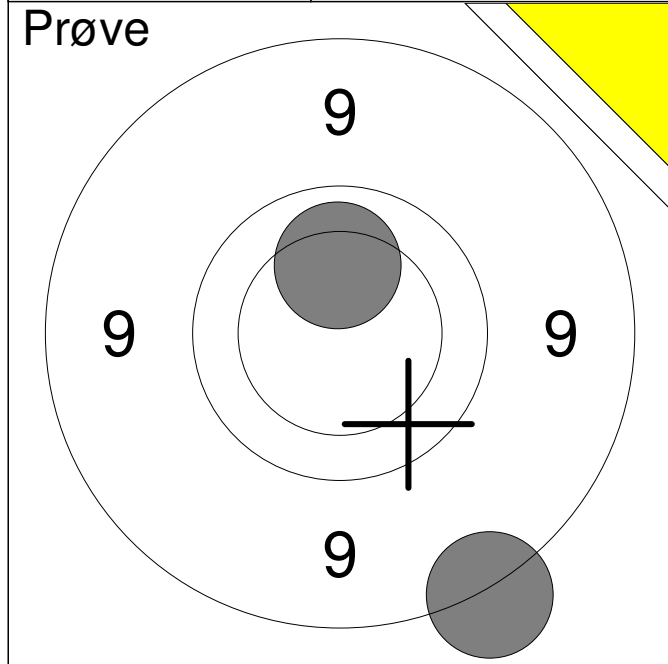
1:	10.1	←
2:	9.8	←
3:	9.7	↗
4:	10.3	→
5:	10.4	↘
Serie		48.0
Total		0.0



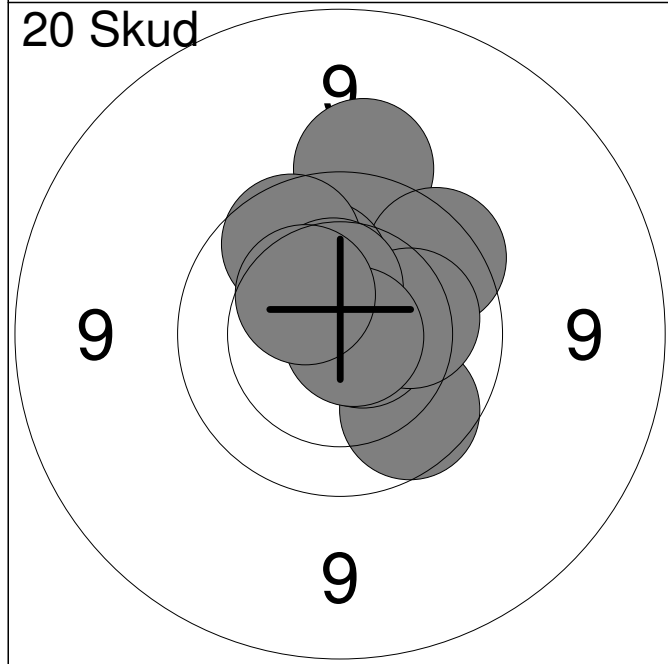
1:	9.3	↓
2:	10.2	→
3:	10.3	←
4:	8.8	↗
5:	10.1	←
6:	*10.5	↗
7:	9.2	→
8:	9.5	→
9:	9.9	→
10:	10.1	↗
Serie		94.0
Total		94.0



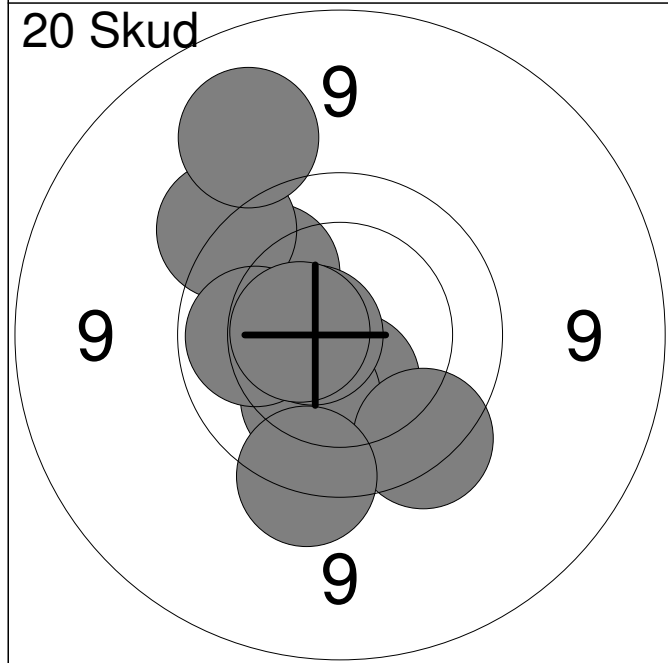
11:	9.8	→
12:	10.0	↗
13:	10.2	←
14:	9.6	←
15:	10.0	←
16:	9.6	↗
17:	*10.9	↗
18:	9.7	→
19:	*10.6	↗
20:	10.2	↗
Serie		96.0
Total		190.0



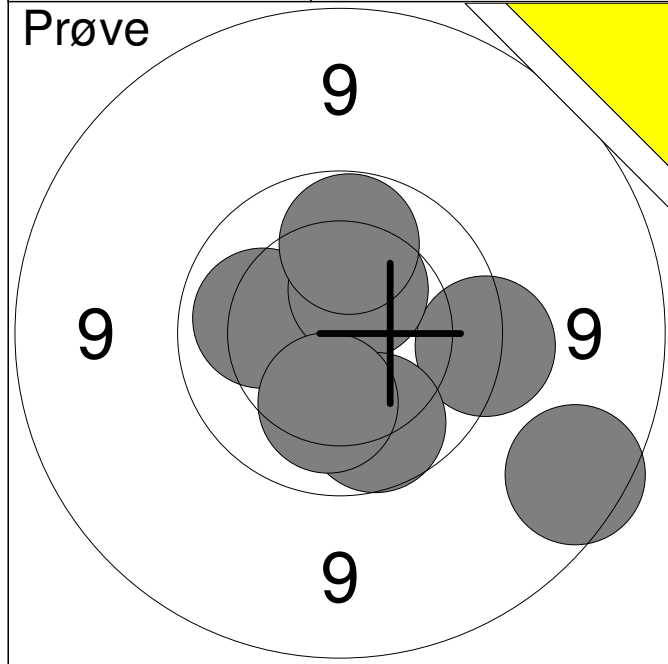
	1:	10.1	↑
	2:	8.6	↓
Serie			18.0
Total			0.0



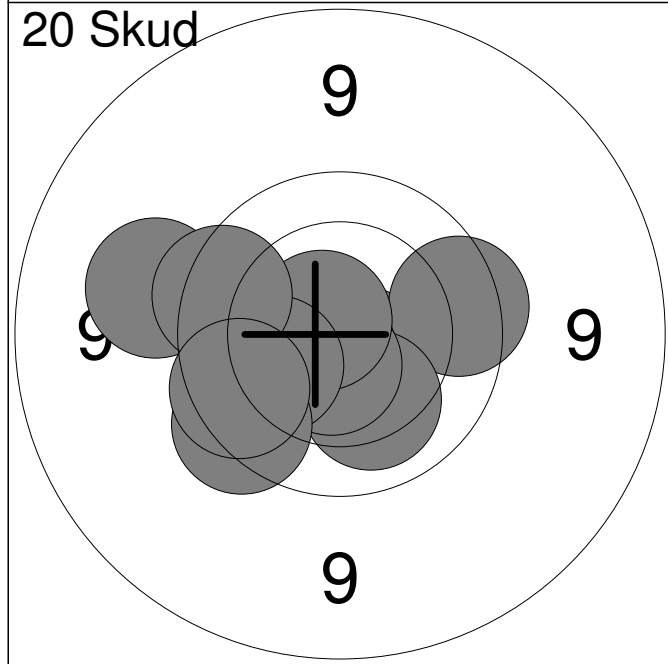
	1:	9.5	↑
	2:	9.8	↗
	3:	9.9	↓
	4:	*10.7	→
	5:	10.2	↑
	6:	9.9	↗
	7:	10.2	→
	8:	10.4	↑
	9:	*10.8	→
	10:	10.4	↗
Serie			96.0
Total			96.0



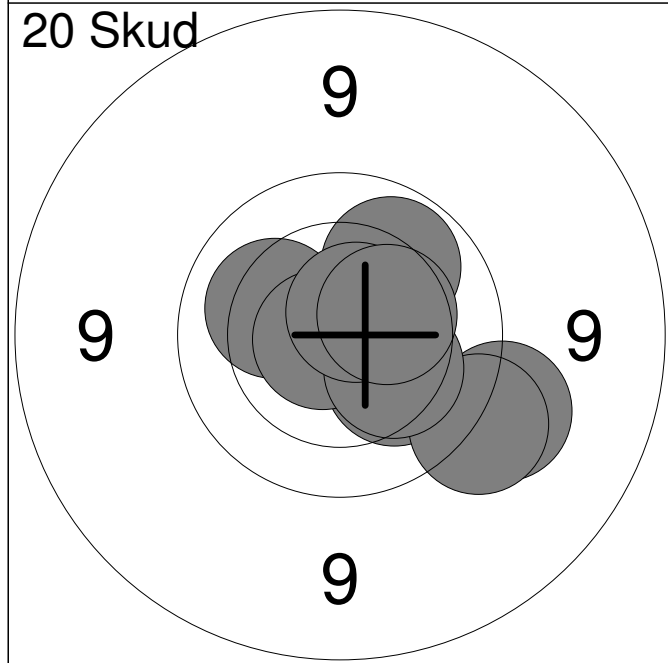
	11:	9.9	↗
	12:	10.4	↓
	13:	10.2	↙
	14:	9.6	↗
	15:	9.7	↓
	16:	9.6	↙
	17:	*10.7	←
	18:	10.0	←
	19:	9.2	↗
	20:	*10.5	←
Serie			95.0
Total			191.0



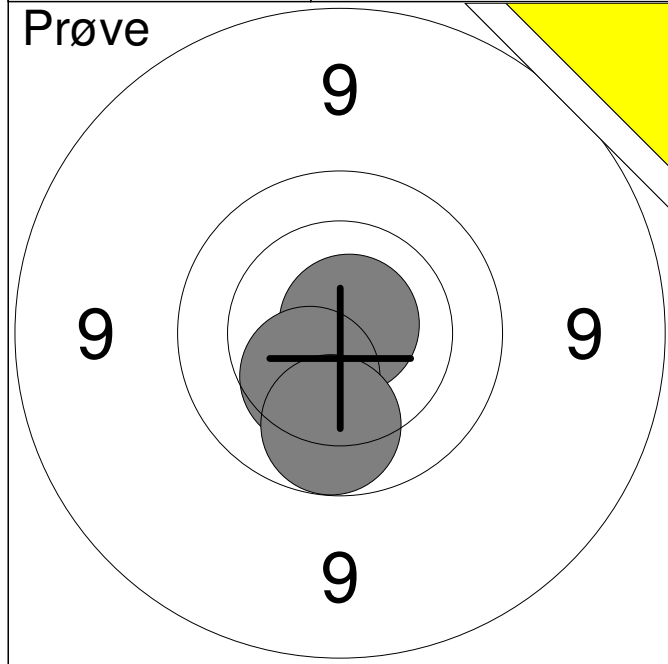
1:	10.1	←
2:	9.6	→
3:	10.4	↑
4:	9.9	↓
5:	8.9	↘
6:	10.2	↓
7:	10.0	↑
Serie		66.0
Total		0.0



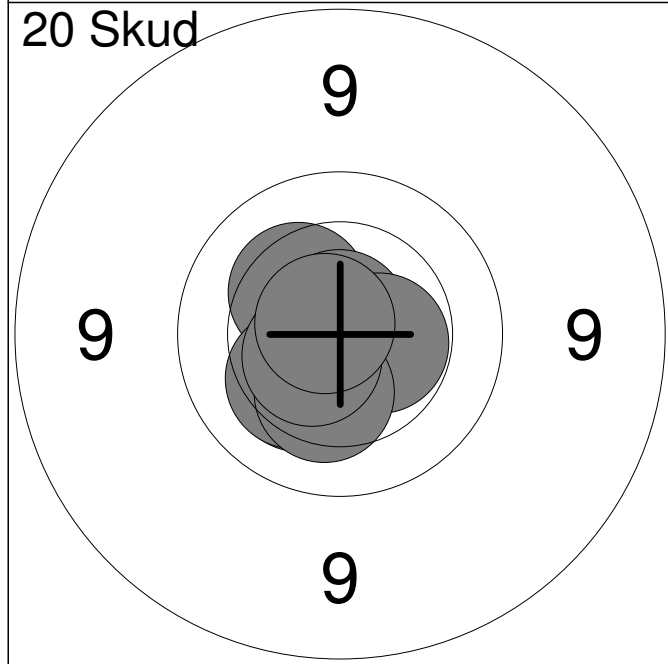
1:	*10.6	↘
2:	9.8	→
3:	10.2	↓
4:	*10.6	↓
5:	*10.7	↗
6:	10.2	←
7:	9.3	←
8:	9.8	←
9:	9.7	↘
10:	9.8	←
Serie		95.0
Total		95.0



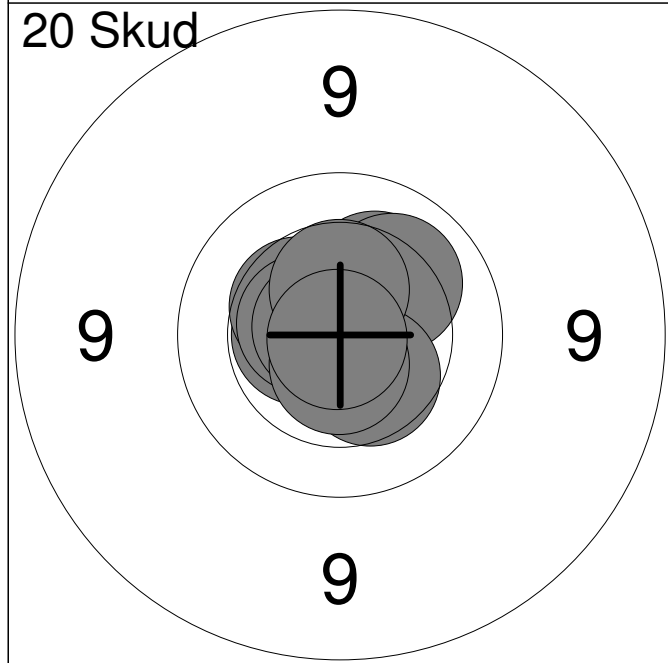
11:	10.2	←
12:	*10.6	→
13:	10.2	↓
14:	*10.8	←
15:	9.4	↘
16:	10.0	↗
17:	9.5	↘
18:	10.3	↘
19:	*10.7	↗
20:	10.4	↗
Serie		98.0
Total		193.0



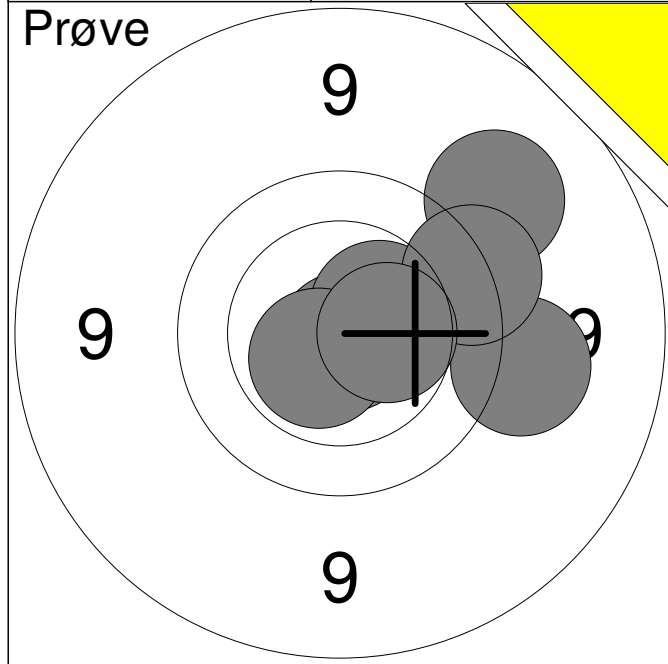
1:	*10.8	↗
2:	10.4	↙
3:	10.0	↓
Serie		30.0
Total		0.0



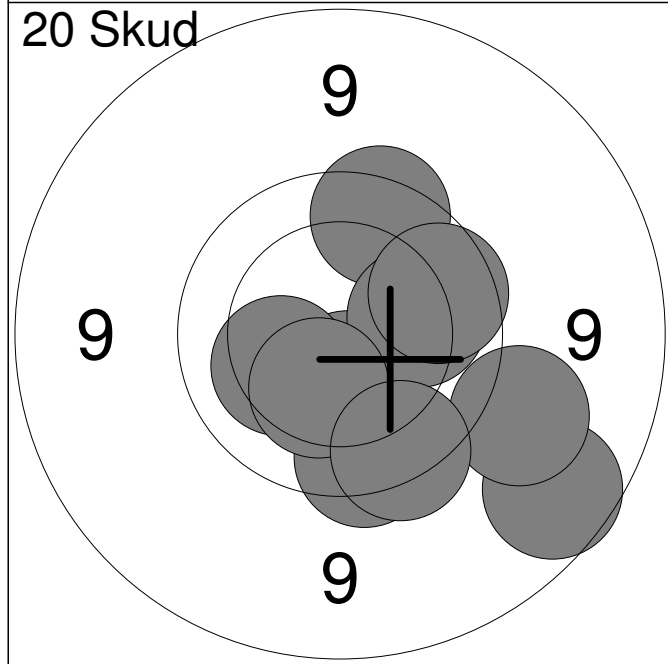
1:	10.3	↖
2:	10.3	↙
3:	*10.8	↑
4:	*10.5	→
5:	*10.6	↙
6:	10.3	↙
7:	10.3	↙
8:	10.3	↓
9:	*10.6	↙
10:	*10.8	↖
Serie		100.0
Total		100.0



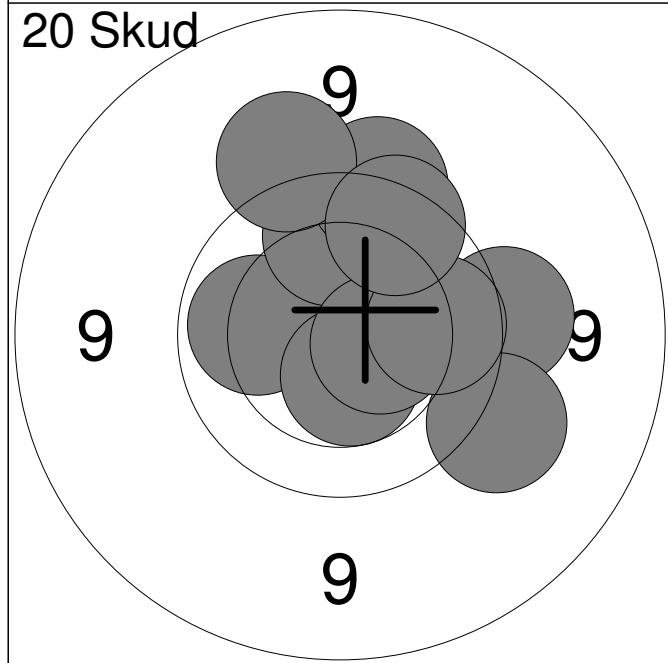
11:	*10.5	←
12:	10.4	↖
13:	10.3	↗
14:	*10.6	↖
15:	10.2	↗
16:	*10.7	↖
17:	10.4	↓
18:	10.5	↑
19:	*10.6	↓
20:	*10.9	↙
Serie		100.0
Total		200.0



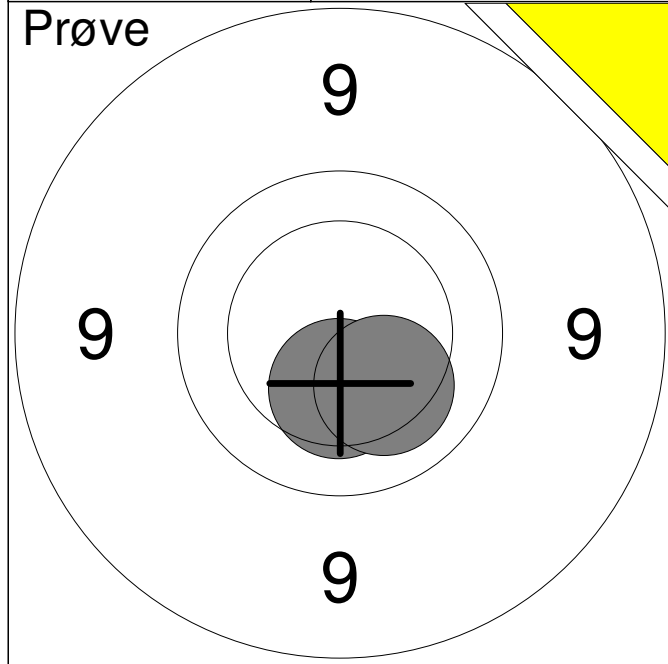
1:	*10.8	↘
2:	10.5	↗
3:	*10.6	↙
4:	9.3	↗
5:	9.4	→
6:	9.6	↗
7:	10.4	→
Serie		67.0
Total		0.0



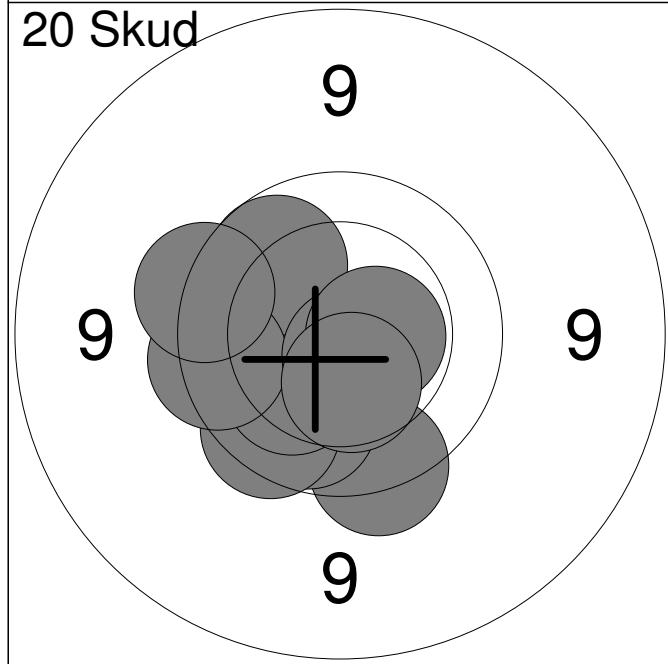
1:	10.4	↘
2:	10.2	↙
3:	9.8	↗
4:	10.1	→
5:	8.9	↘
6:	9.7	↘
7:	9.3	→
8:	9.9	↗
9:	10.3	↘
10:	9.7	↘
Serie		93.0
Total		93.0



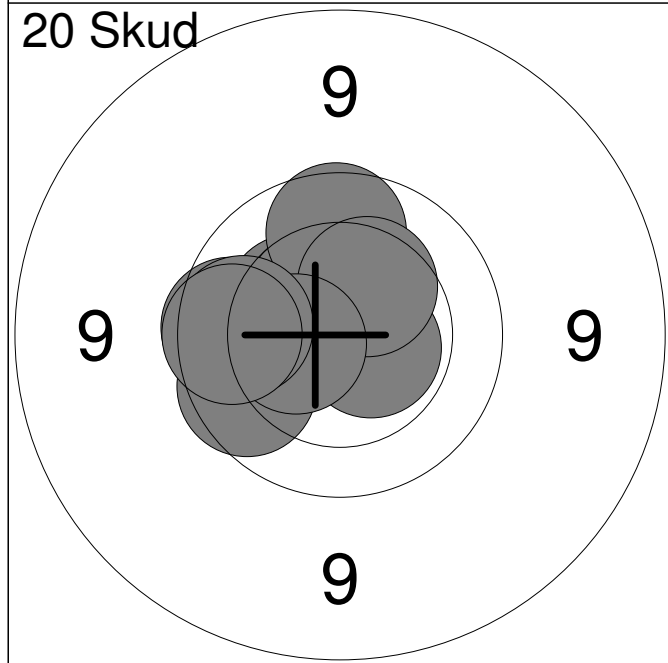
11:	9.5	→
12:	10.1	↙
13:	*10.5	↘
14:	9.9	↗
15:	9.6	↗
16:	9.4	↗
17:	9.4	↘
18:	*10.5	→
19:	9.9	→
20:	9.8	↗
Serie		93.0
Total		186.0



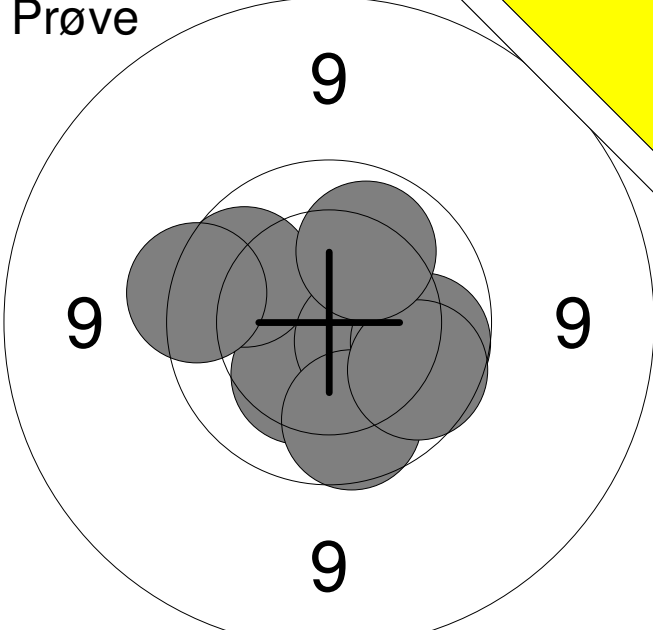
	1:	10.4	↓
	2:	10.2	↘
Serie			20.0
Total			0.0

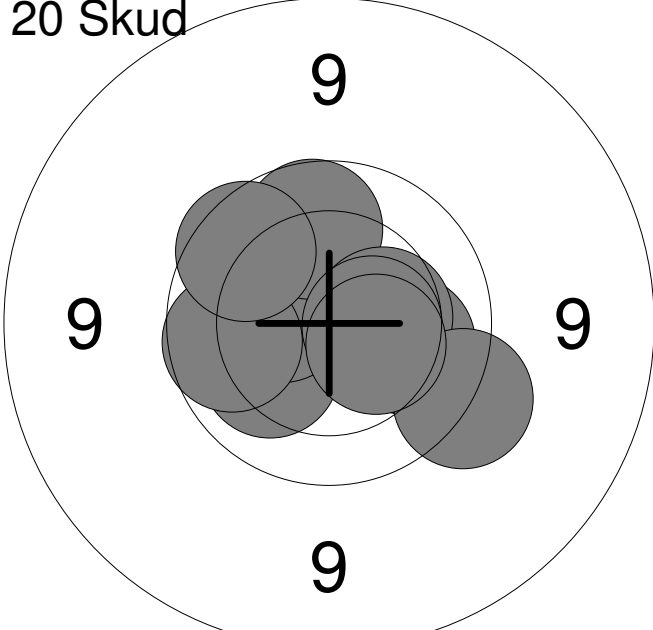


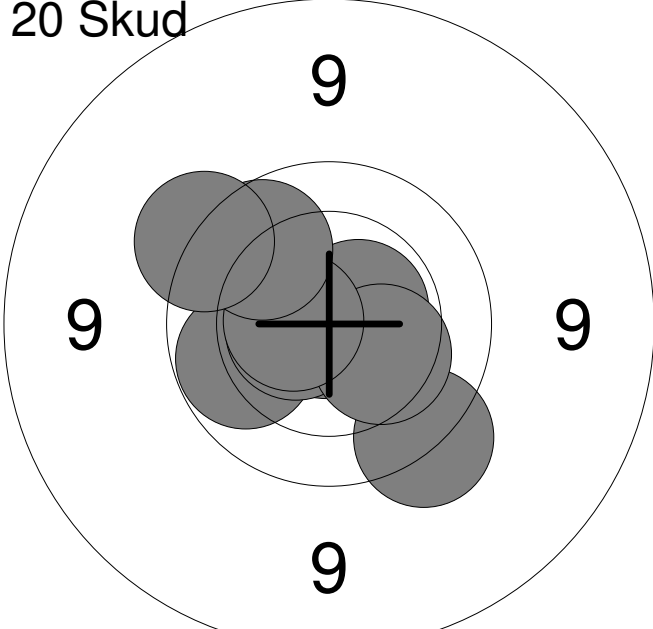
	1:	9.7	↓
	2:	10.0	↘
	3:	9.8	↙
	4:	10.2	↖
	5:	9.9	↗
	6:	9.7	←
	7:	*10.7	↓
	8:	*10.6	→
	9:	9.6	↖
	10:	10.4	↓
Serie			95.0
Total			95.0

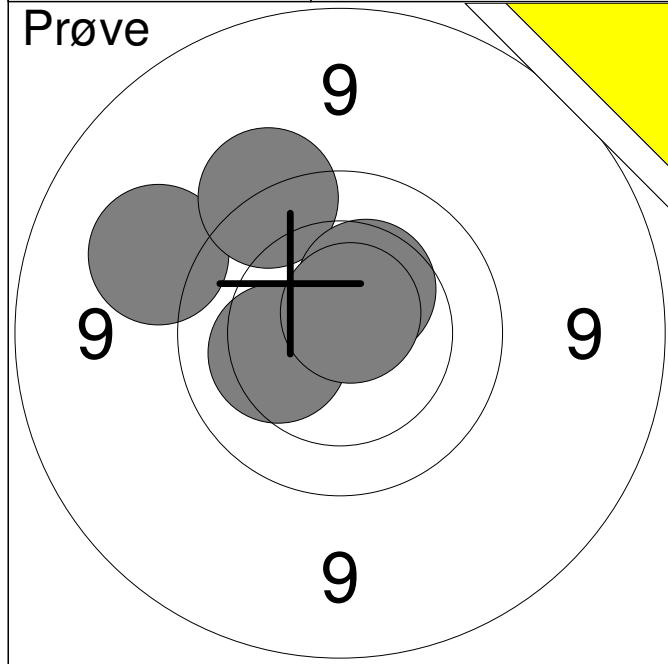


	11:	9.9	↖
	12:	10.4	↗
	13:	*10.6	↘
	14:	9.8	←
	15:	10.5	↗
	16:	9.9	↑
	17:	10.3	↗
	18:	10.5	←
	19:	9.9	←
	20:	9.9	←
Serie			95.0
Total			190.0

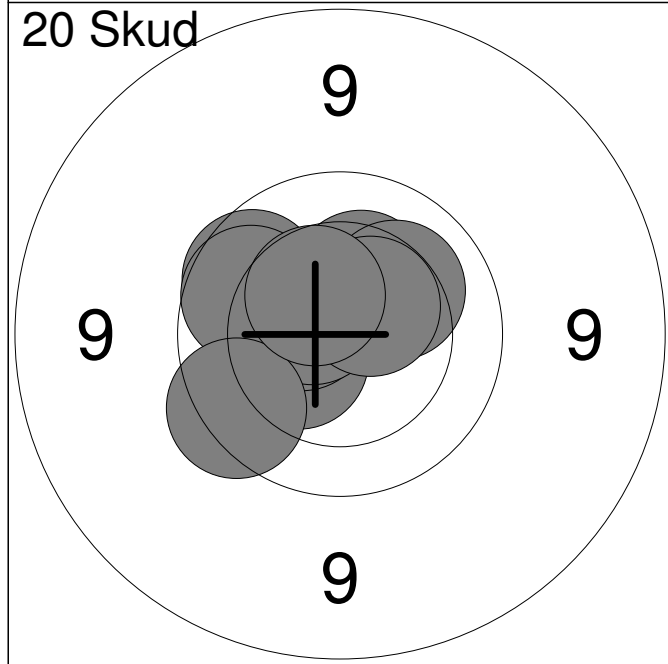
<p>Prøve</p> 	<table style="width:100%; border-collapse: collapse;"> <tr><td style="width:10%;">1:</td><td style="width:70%;">10.3</td><td style="width:20%; text-align: right;">↙</td></tr> <tr><td>2:</td><td>9.9</td><td style="text-align: right;">↗</td></tr> <tr><td>3:</td><td>9.7</td><td style="text-align: right;">←</td></tr> <tr><td>4:</td><td>*10.5</td><td style="text-align: right;">↘</td></tr> <tr><td>5:</td><td>9.9</td><td style="text-align: right;">→</td></tr> <tr><td>6:</td><td>9.9</td><td style="text-align: right;">↘</td></tr> <tr><td>7:</td><td>9.9</td><td style="text-align: right;">↘</td></tr> <tr><td>8:</td><td>10.1</td><td style="text-align: right;">↗</td></tr> <tr><td colspan="2">Serie</td><td style="text-align: right;">75.0</td></tr> <tr><td colspan="2">Total</td><td style="text-align: right;">0.0</td></tr> </table>	1:	10.3	↙	2:	9.9	↗	3:	9.7	←	4:	*10.5	↘	5:	9.9	→	6:	9.9	↘	7:	9.9	↘	8:	10.1	↗	Serie		75.0	Total		0.0
1:	10.3	↙																													
2:	9.9	↗																													
3:	9.7	←																													
4:	*10.5	↘																													
5:	9.9	→																													
6:	9.9	↘																													
7:	9.9	↘																													
8:	10.1	↗																													
Serie		75.0																													
Total		0.0																													

<p>20 Skud</p> 	<table style="width:100%; border-collapse: collapse;"> <tr><td style="width:10%;">1:</td><td style="width:70%;">10.1</td><td style="width:20%; text-align: right;">↙</td></tr> <tr><td>2:</td><td>10.4</td><td style="text-align: right;">←</td></tr> <tr><td>3:</td><td>9.9</td><td style="text-align: right;">←</td></tr> <tr><td>4:</td><td>10.1</td><td style="text-align: right;">→</td></tr> <tr><td>5:</td><td>9.9</td><td style="text-align: right;">↗</td></tr> <tr><td>6:</td><td>10.4</td><td style="text-align: right;">→</td></tr> <tr><td>7:</td><td>9.6</td><td style="text-align: right;">↘</td></tr> <tr><td>8:</td><td>10.5</td><td style="text-align: right;">→</td></tr> <tr><td>9:</td><td>10.4</td><td style="text-align: right;">↘</td></tr> <tr><td>10:</td><td>9.8</td><td style="text-align: right;">↗</td></tr> <tr><td colspan="2">Serie</td><td style="text-align: right;">96.0</td></tr> <tr><td colspan="2">Total</td><td style="text-align: right;">96.0</td></tr> </table>	1:	10.1	↙	2:	10.4	←	3:	9.9	←	4:	10.1	→	5:	9.9	↗	6:	10.4	→	7:	9.6	↘	8:	10.5	→	9:	10.4	↘	10:	9.8	↗	Serie		96.0	Total		96.0
1:	10.1	↙																																			
2:	10.4	←																																			
3:	9.9	←																																			
4:	10.1	→																																			
5:	9.9	↗																																			
6:	10.4	→																																			
7:	9.6	↘																																			
8:	10.5	→																																			
9:	10.4	↘																																			
10:	9.8	↗																																			
Serie		96.0																																			
Total		96.0																																			

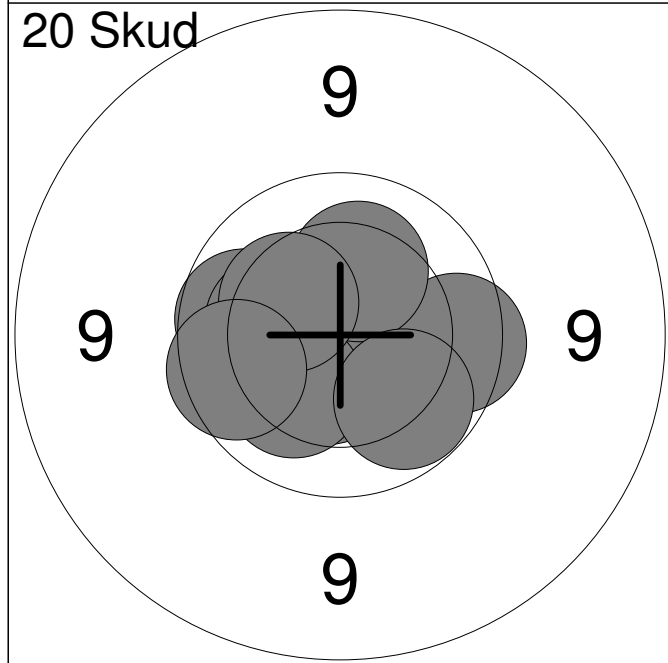
<p>20 Skud</p> 	<table style="width:100%; border-collapse: collapse;"> <tr><td style="width:10%;">11:</td><td style="width:70%;">*10.8</td><td style="width:20%; text-align: right;">→</td></tr> <tr><td>12:</td><td>*10.9</td><td style="text-align: right;">↙</td></tr> <tr><td>13:</td><td>*10.6</td><td style="text-align: right;">↗</td></tr> <tr><td>14:</td><td>10.0</td><td style="text-align: right;">←</td></tr> <tr><td>15:</td><td>9.6</td><td style="text-align: right;">↘</td></tr> <tr><td>16:</td><td>*10.6</td><td style="text-align: right;">←</td></tr> <tr><td>17:</td><td>10.3</td><td style="text-align: right;">↘</td></tr> <tr><td>18:</td><td>*10.6</td><td style="text-align: right;">←</td></tr> <tr><td>19:</td><td>9.9</td><td style="text-align: right;">↗</td></tr> <tr><td>20:</td><td>9.6</td><td style="text-align: right;">↗</td></tr> <tr><td colspan="2">Serie</td><td style="text-align: right;">97.0</td></tr> <tr><td colspan="2">Total</td><td style="text-align: right;">193.0</td></tr> </table>	11:	*10.8	→	12:	*10.9	↙	13:	*10.6	↗	14:	10.0	←	15:	9.6	↘	16:	*10.6	←	17:	10.3	↘	18:	*10.6	←	19:	9.9	↗	20:	9.6	↗	Serie		97.0	Total		193.0
11:	*10.8	→																																			
12:	*10.9	↙																																			
13:	*10.6	↗																																			
14:	10.0	←																																			
15:	9.6	↘																																			
16:	*10.6	←																																			
17:	10.3	↘																																			
18:	*10.6	←																																			
19:	9.9	↗																																			
20:	9.6	↗																																			
Serie		97.0																																			
Total		193.0																																			



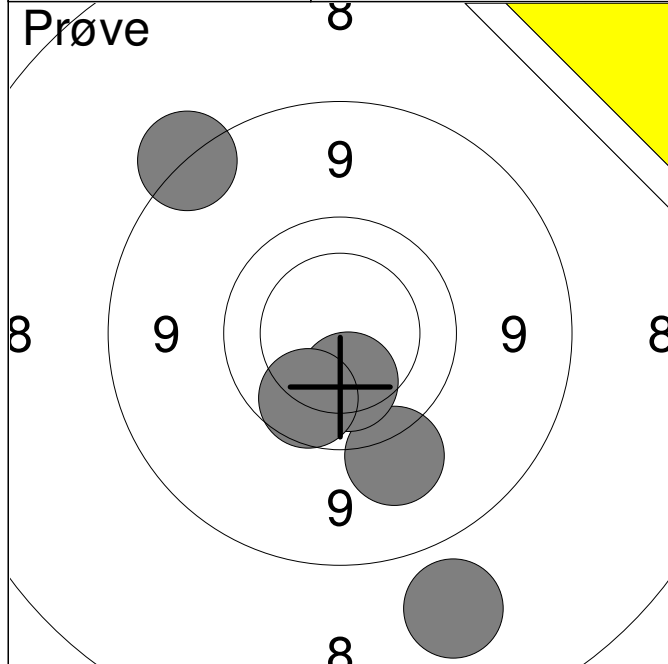
1:	10.2	←
2:	9.3	↖
3:	9.6	↗
4:	10.4	↗
5:	*10.7	↗
Serie		48.0
Total		0.0



1:	10.4	↖
2:	10.3	↗
3:	9.9	↗
4:	*10.5	↖
5:	*10.6	↗
6:	9.9	↖
7:	9.7	↖
8:	10.2	↗
9:	*10.5	↗
10:	10.5	↗
Serie		97.0
Total		97.0

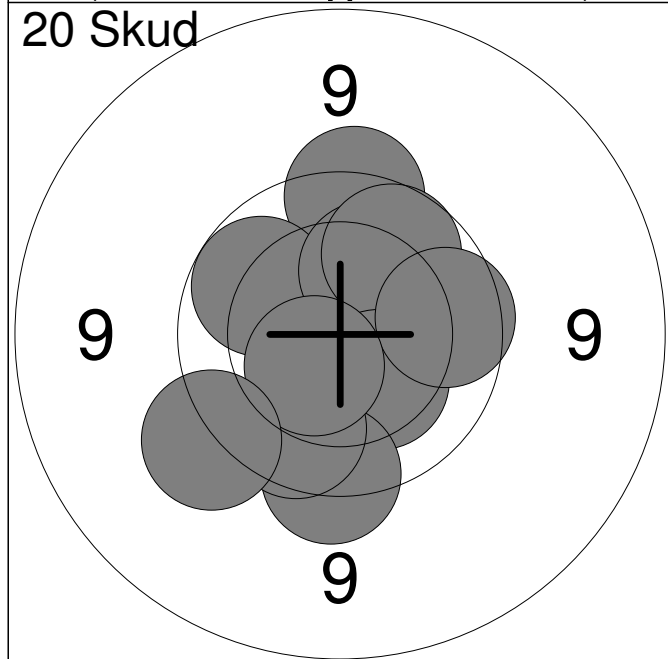


11:	*10.5	↘
12:	9.9	←
13:	10.2	←
14:	9.8	→
15:	*10.6	↘
16:	10.2	↗
17:	10.2	↖
18:	10.3	↗
19:	9.8	←
20:	10.0	↘
Serie		97.0
Total		194.0



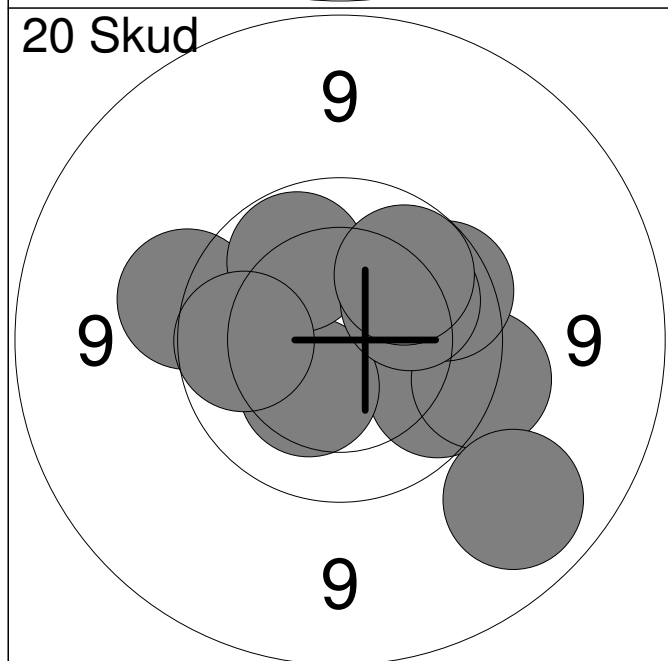
1:	8.7	↗
2:	9.4	↘
3:	10.2	↘
4:	8.3	↘
5:	9.9	↘

Serie	44.0
Total	0.0



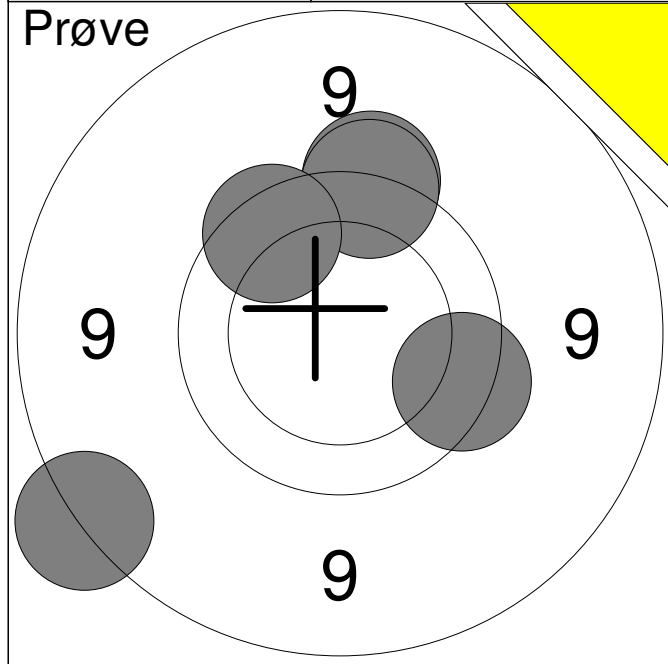
1:	9.7	↑
2:	10.0	↖
3:	10.2	↑
4:	9.9	↗
5:	10.3	↘
6:	9.7	↘
7:	9.9	↘
8:	9.9	→
9:	*10.5	↘
10:	9.5	↘

Serie	94.0
Total	94.0

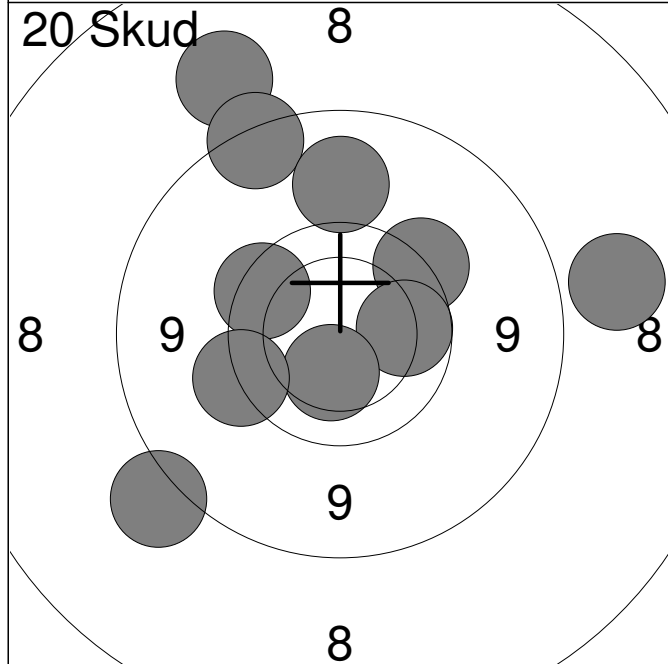


11:	9.9	↘
12:	9.6	→
13:	9.1	↘
14:	10.3	↘
15:	9.5	↖
16:	9.8	↗
17:	10.0	↑
18:	9.9	←
19:	10.1	↗
20:	10.0	↗

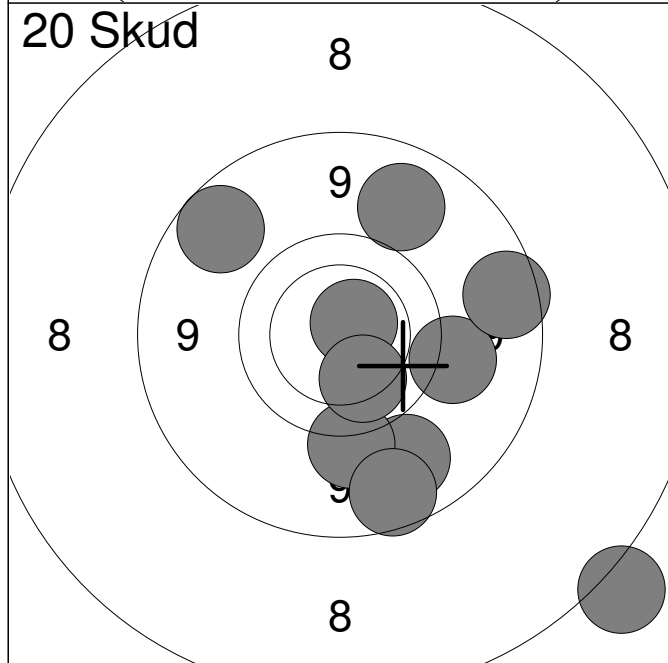
Serie	94.0
Total	188.0



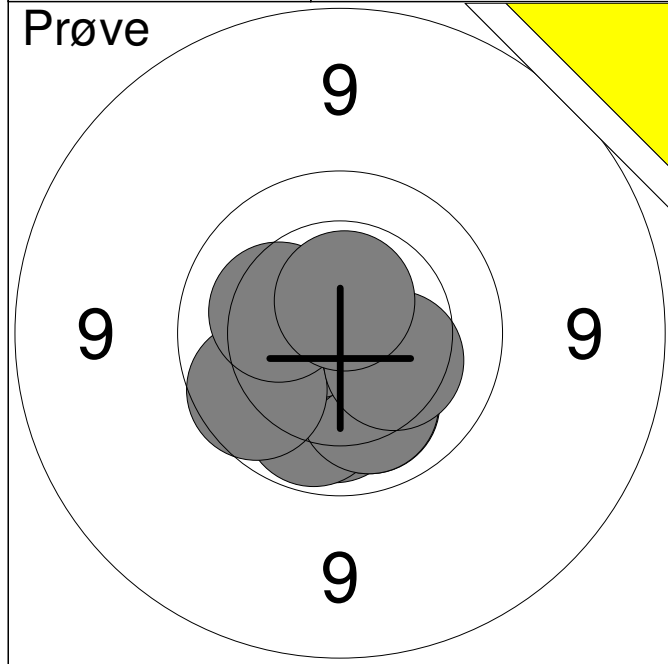
1:	9.6	↑
2:	9.7	→
3:	8.7	↙
4:	9.6	↑
5:	9.8	↗
Serie		44.0
Total		0.0



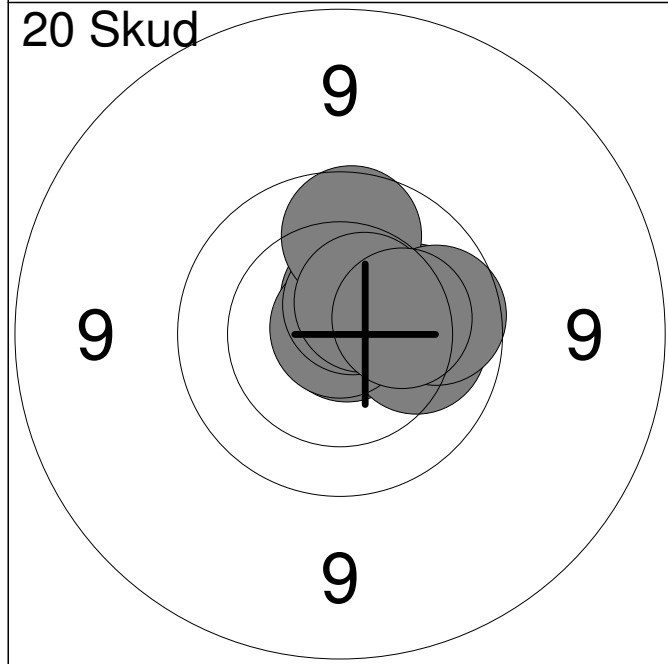
1:	9.7	↖
2:	9.6	↗
3:	9.9	→
4:	8.3	↑
5:	8.7	↑
6:	8.5	↙
7:	10.3	↓
8:	8.3	→
9:	9.5	↙
10:	9.2	↑
Serie		87.0
Total		87.0



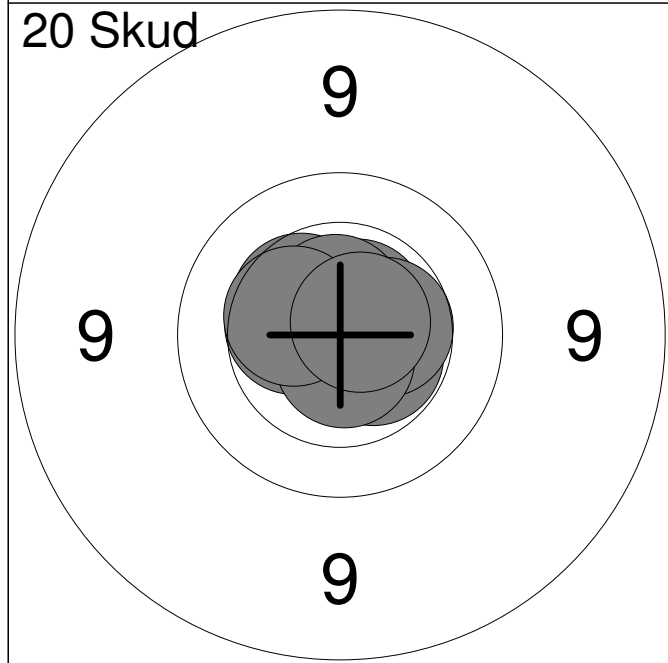
11:	9.1	↘
12:	9.1	↑
13:	8.9	↗
14:	9.4	↓
15:	8.9	↓
16:	9.4	→
17:	8.9	→
18:	*10.6	↗
19:	7.5	↘
20:	10.1	↘
Serie		87.0
Total		174.0



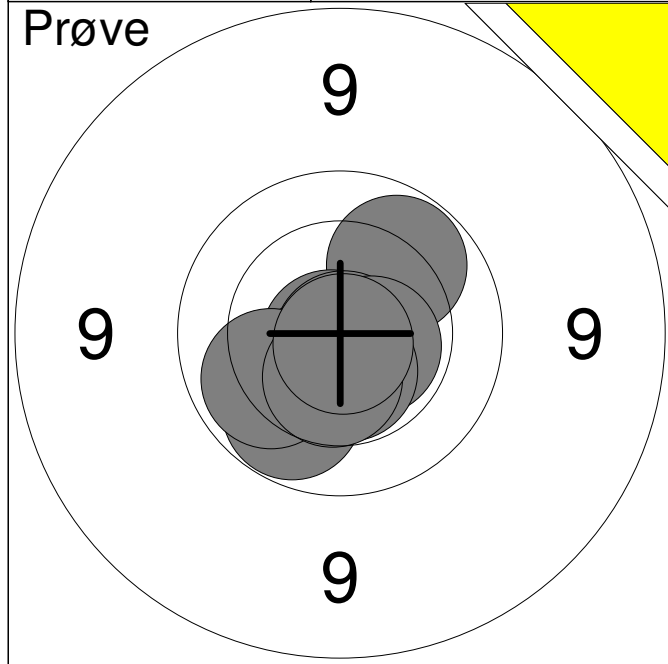
1:	10.1	↓
2:	10.1	↓
3:	10.0	↓
4:	10.1	↓
5:	10.3	←
6:	*10.6	←
7:	9.9	←
8:	10.2	←
9:	10.3	→
10:	*10.6	↑
Serie		99.0
Total		0.0



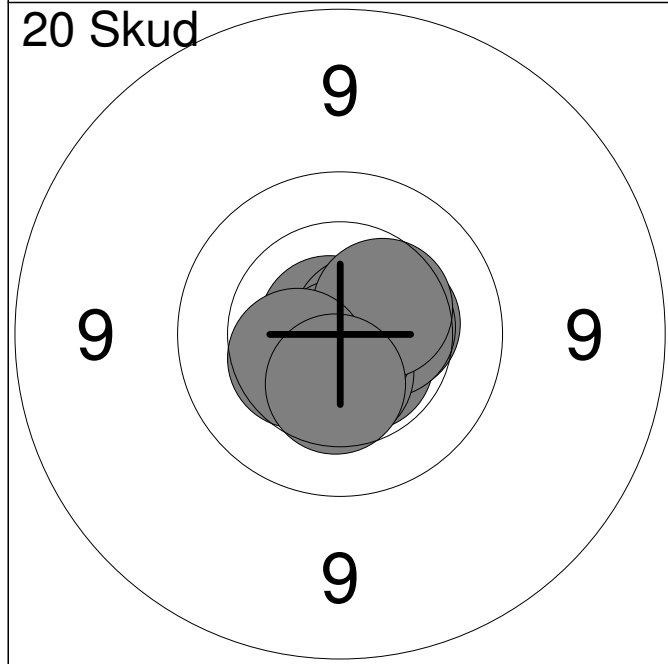
1:	*10.9	→
2:	10.1	→
3:	*10.6	↑
4:	10.1	→
5:	*10.9	↑
6:	*10.6	↑
7:	9.9	↑
8:	9.9	→
9:	*10.5	↗
10:	10.3	→
Serie		98.0
Total		98.0



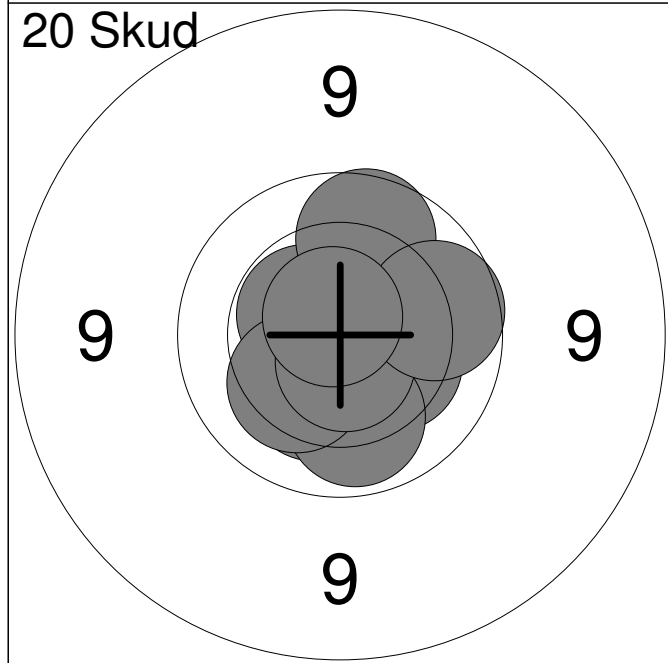
11:	*10.8	↑
12:	10.4	←
13:	10.4	↖
14:	*10.6	↗
15:	*10.5	↘
16:	*10.6	↑
17:	10.5	→
18:	*10.7	↓
19:	10.4	↖
20:	*10.7	↗
Serie		100.0
Total		198.0



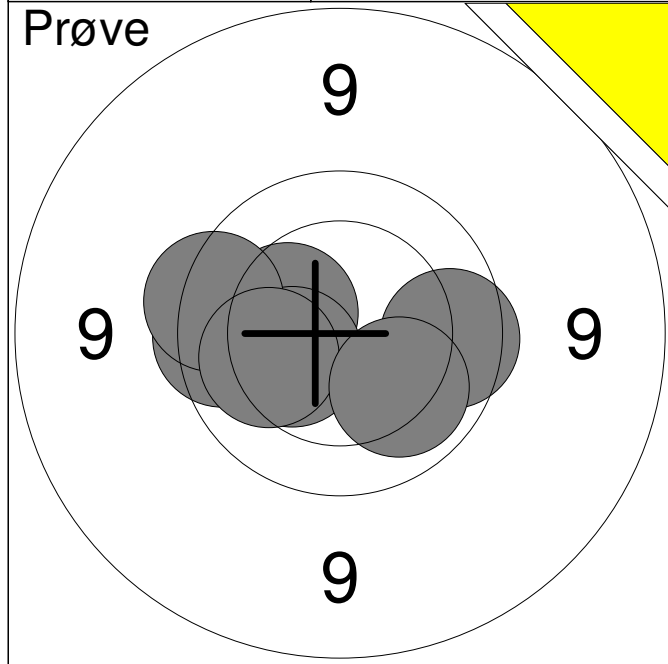
1:	10.0	↙
2:	10.0	↗
3:	*10.8	↙
4:	*10.9	↓
5:	10.5	↙
6:	*10.6	→
7:	10.1	↙
8:	*10.5	↓
9:	10.5	↓
10:	*10.8	↓
Serie		100.0
Total		0.0



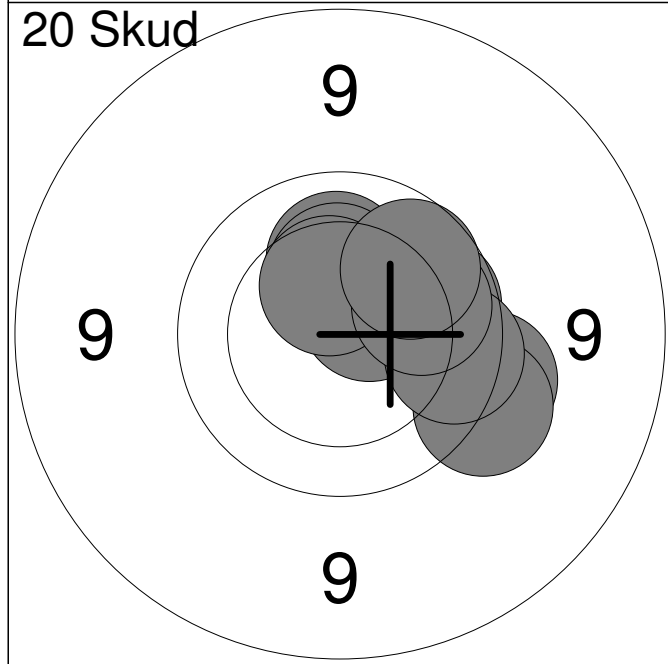
1:	*10.6	↙
2:	*10.8	↗
3:	*10.7	→
4:	10.4	→
5:	10.5	→
6:	*10.5	↓
7:	*10.8	↓
8:	10.4	↗
9:	10.4	↙
10:	10.4	↓
Serie		100.0
Total		100.0



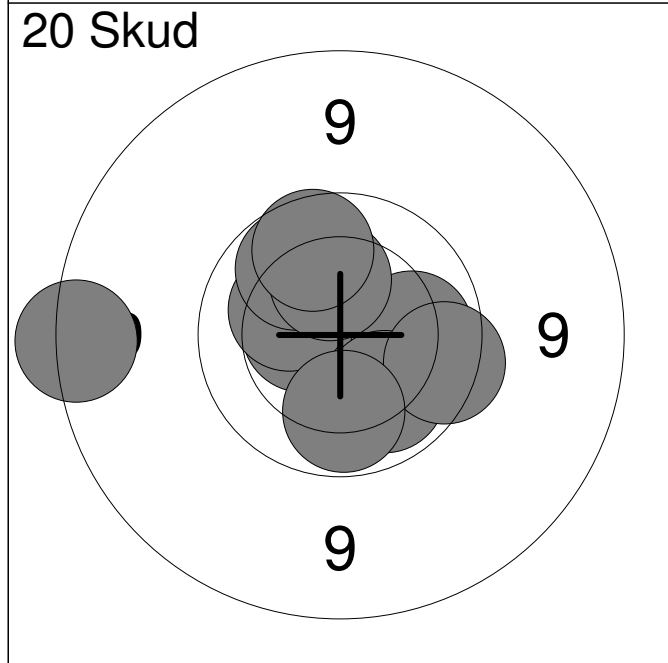
11:	10.3	→
12:	*10.7	↓
13:	10.3	↙
14:	*10.5	↗
15:	10.1	↓
16:	10.3	↙
17:	*10.7	↓
18:	9.9	↗
19:	9.9	→
20:	*10.7	↗
Serie		98.0
Total		198.0



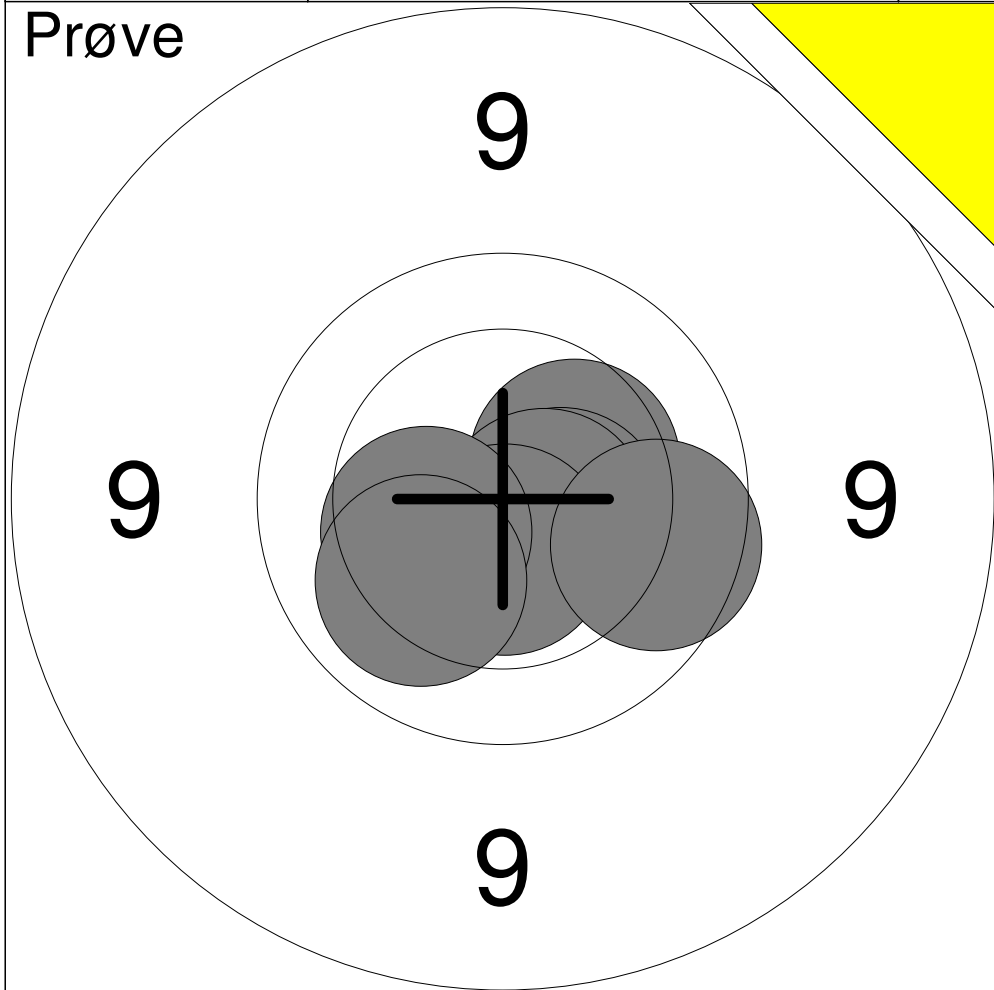
1:	10.3	↖
2:	9.8	←
3:	9.8	→
4:	10.4	↙
5:	9.7	←
6:	10.1	←
7:	10.1	↘
Serie		67.0
Total		0.0



1:	9.6	→
2:	*10.5	↗
3:	9.9	→
4:	10.2	↑
5:	10.3	↑
6:	9.5	↘
7:	10.4	↑
8:	9.8	→
9:	10.0	→
10:	9.9	↗
Serie		95.0
Total		95.0

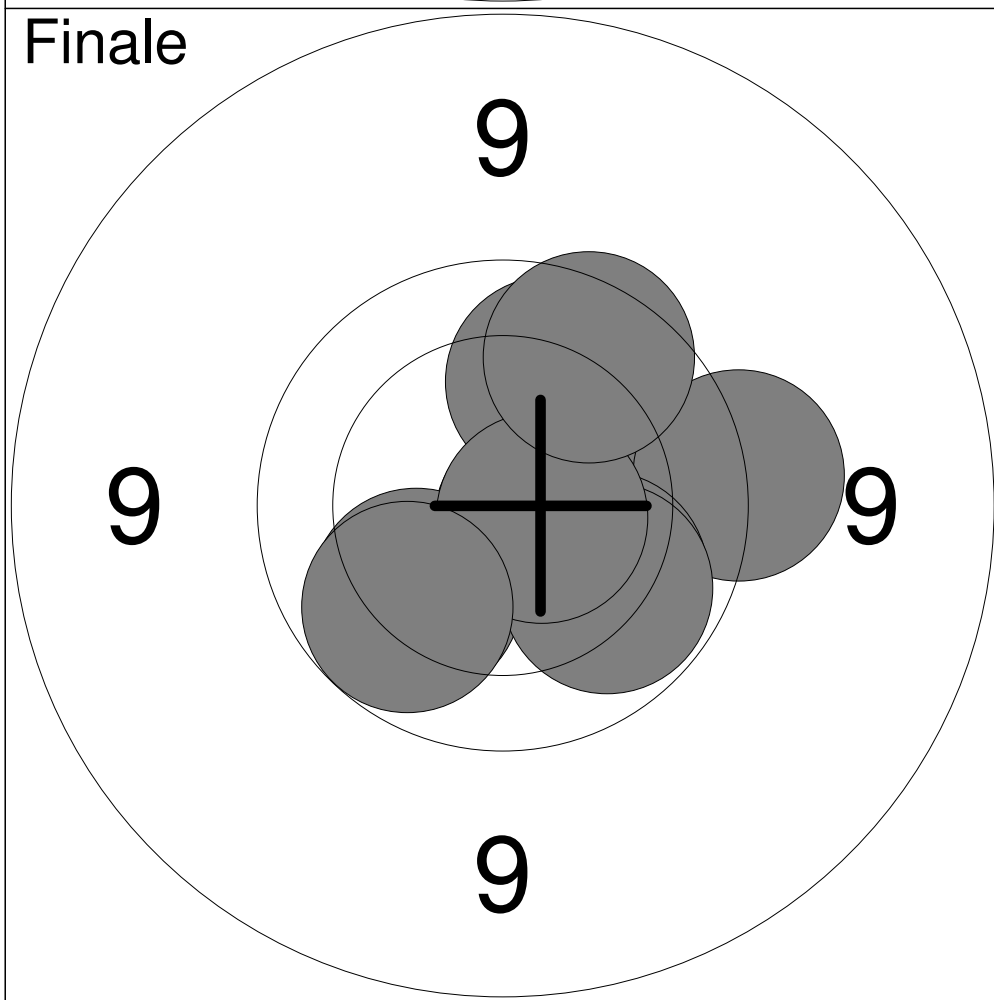


11:	*10.5	←
12:	10.3	↗
13:	10.0	↗
14:	10.1	→
15:	10.1	↘
16:	9.8	→
17:	10.3	↑
18:	9.9	↑
19:	10.0	↘
20:	8.8	←
Serie		96.0
Total		191.0



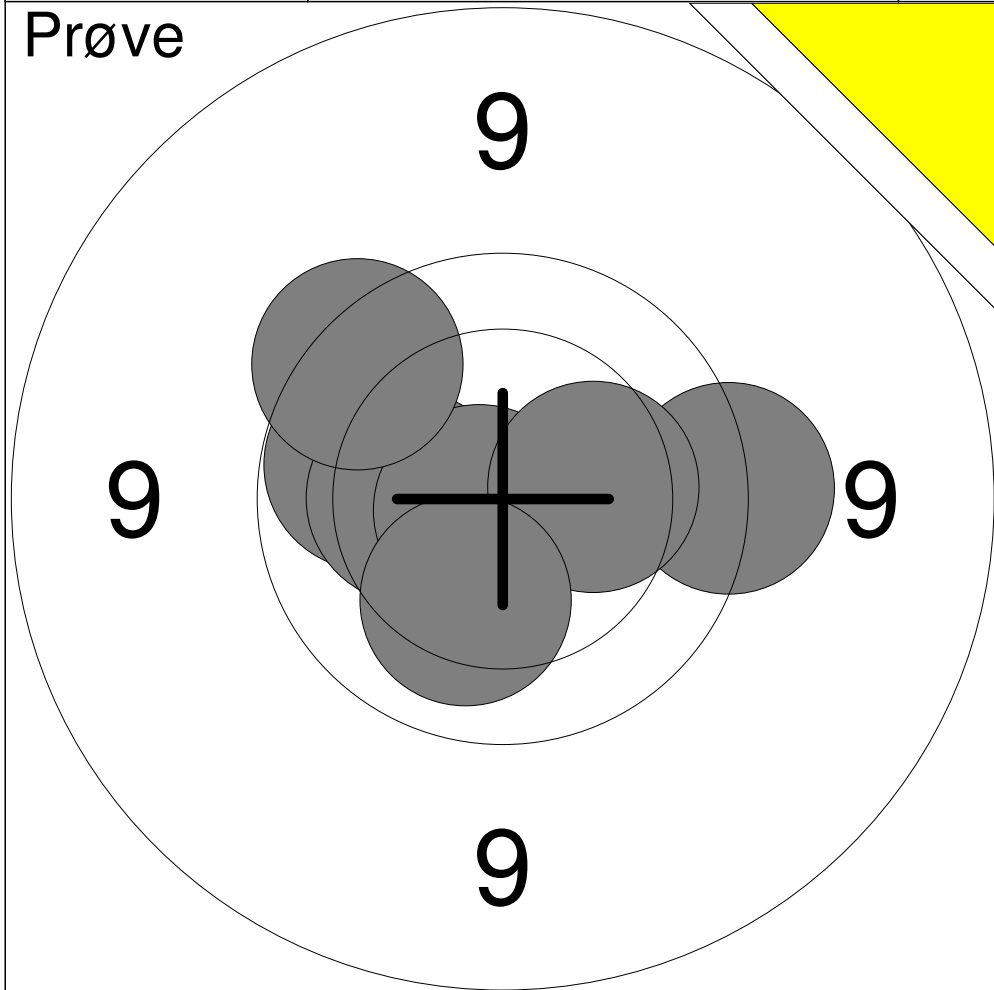
1:	10.4	→
2:	*10.5	→
3:	*10.6	→
4:	*10.6	↓
5:	10.4	←
6:	9.9	→
7:	10.1	↙

Serie	72.5
Total	392.0



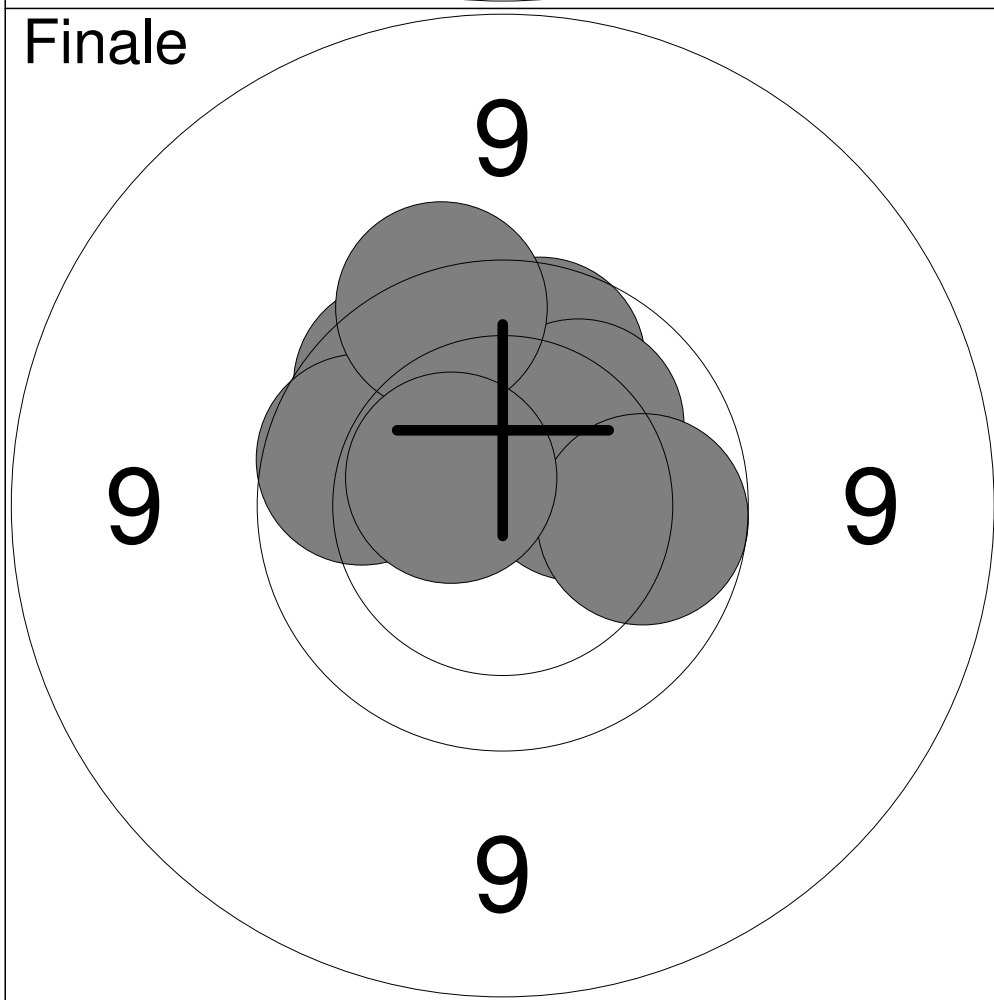
1:	10.2	→
2:	9.6	→
3:	*10.7	↘
4:	10.0	↗
5:	10.1	↘
6:	10.1	↙
7:	10.0	↘
8:	*10.7	→
9:	10.0	↙
10:	9.8	↗

Serie	101.2
Total	493.2



1:	10.0	←
2:	9.6	→
3:	10.3	←
4:	*10.8	←
5:	9.7	↗
6:	10.3	→
7:	10.2	↘

Serie	70.9
Total	387.0

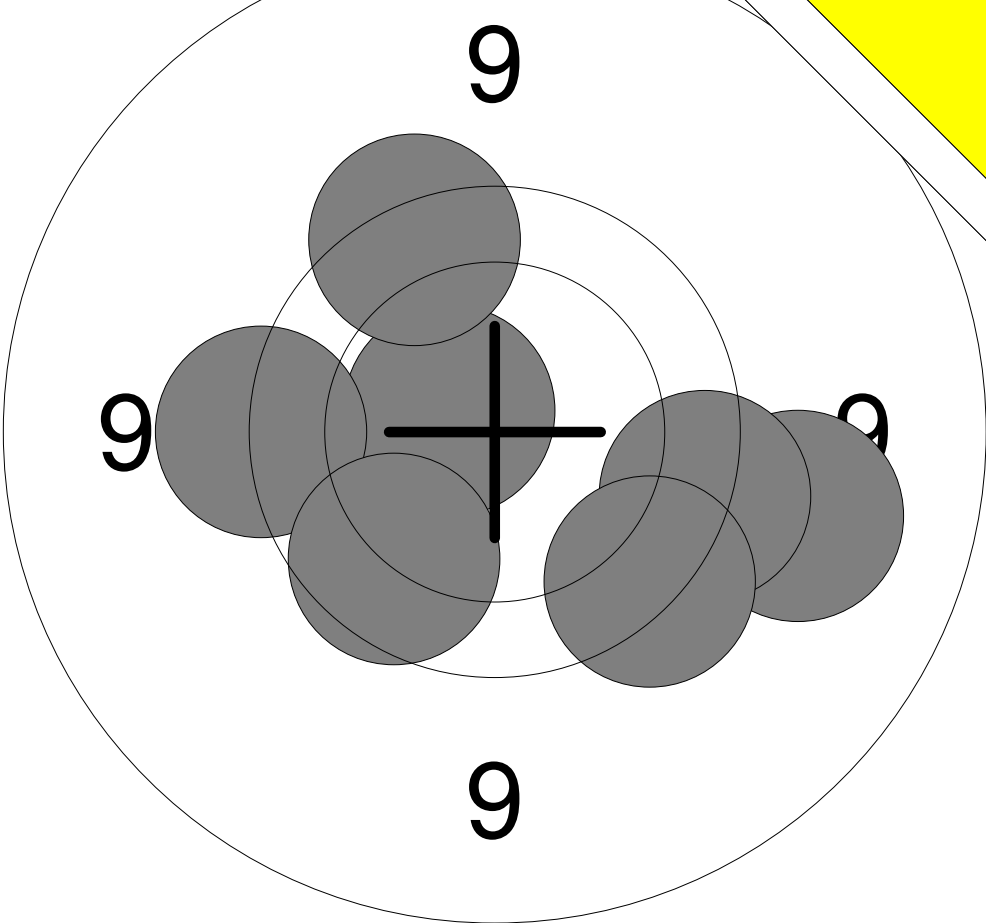


1:	10.0	↑
2:	9.9	↑
3:	10.4	↗
4:	10.4	↗
5:	9.9	↗
6:	10.2	↗
7:	9.9	→
8:	9.9	←
9:	9.7	↑
10:	*10.5	↖

Serie	100.8
Total	487.8

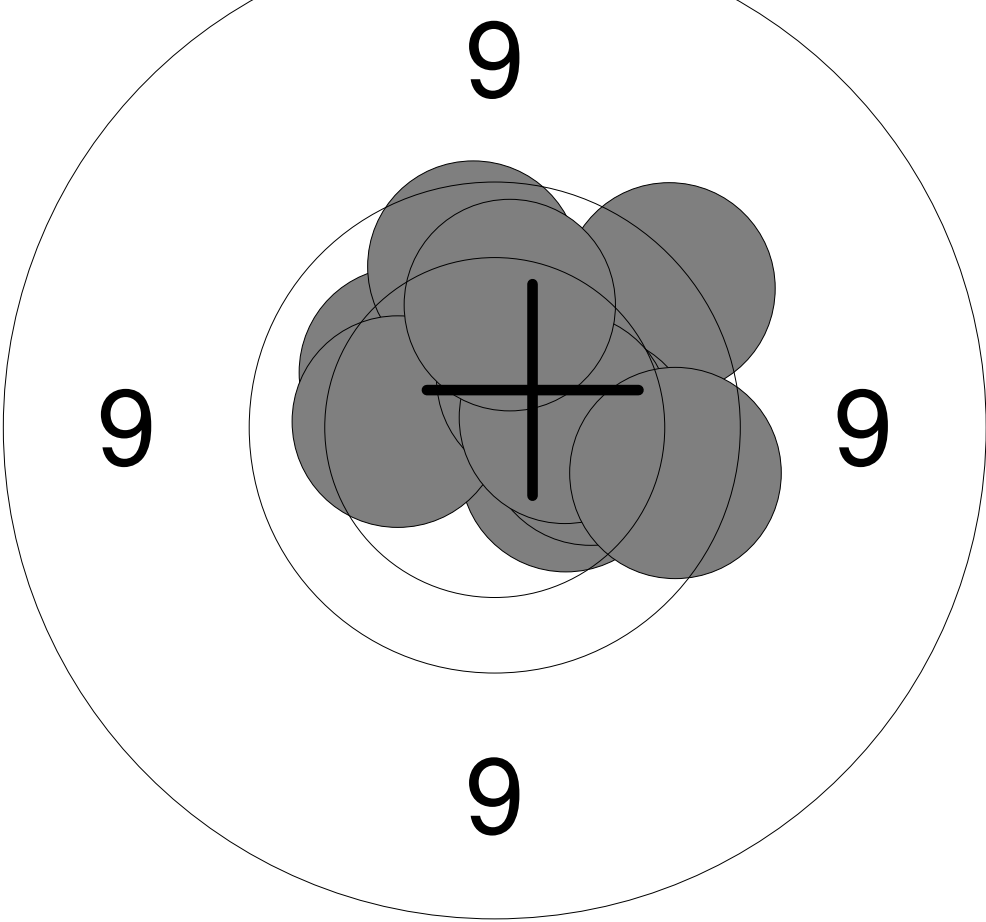
Hold 29	Skive 3	Stefan Olsen	
15m	Aalborg Skyttekreds	F2S	
26.02.2013	NM Senior 2013	Aalborg Skyttekreds	

Prøve



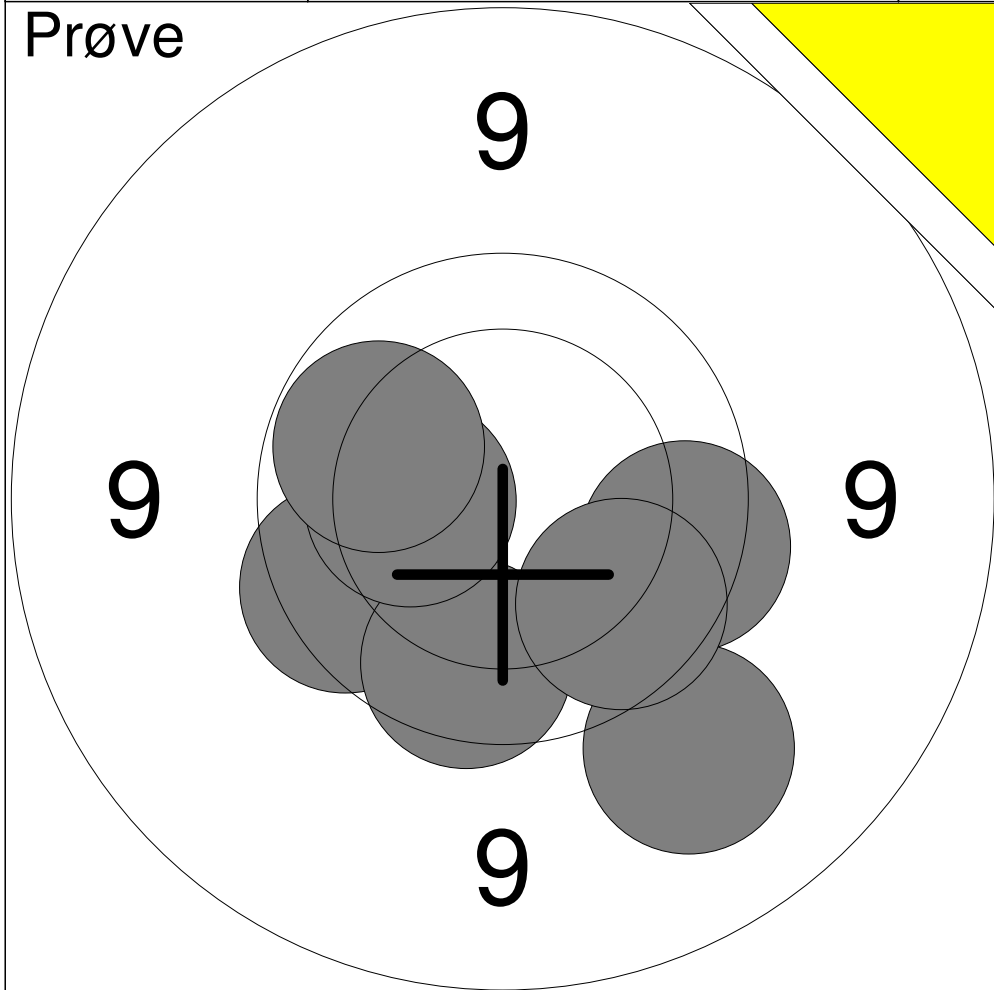
1:	9.2	↘
2:	9.6	↘
3:	9.6	↘
4:	*10.6	↗
5:	9.6	←
6:	9.7	↗
7:	9.9	↘
Serie		68.2
Total		384.0

Finale



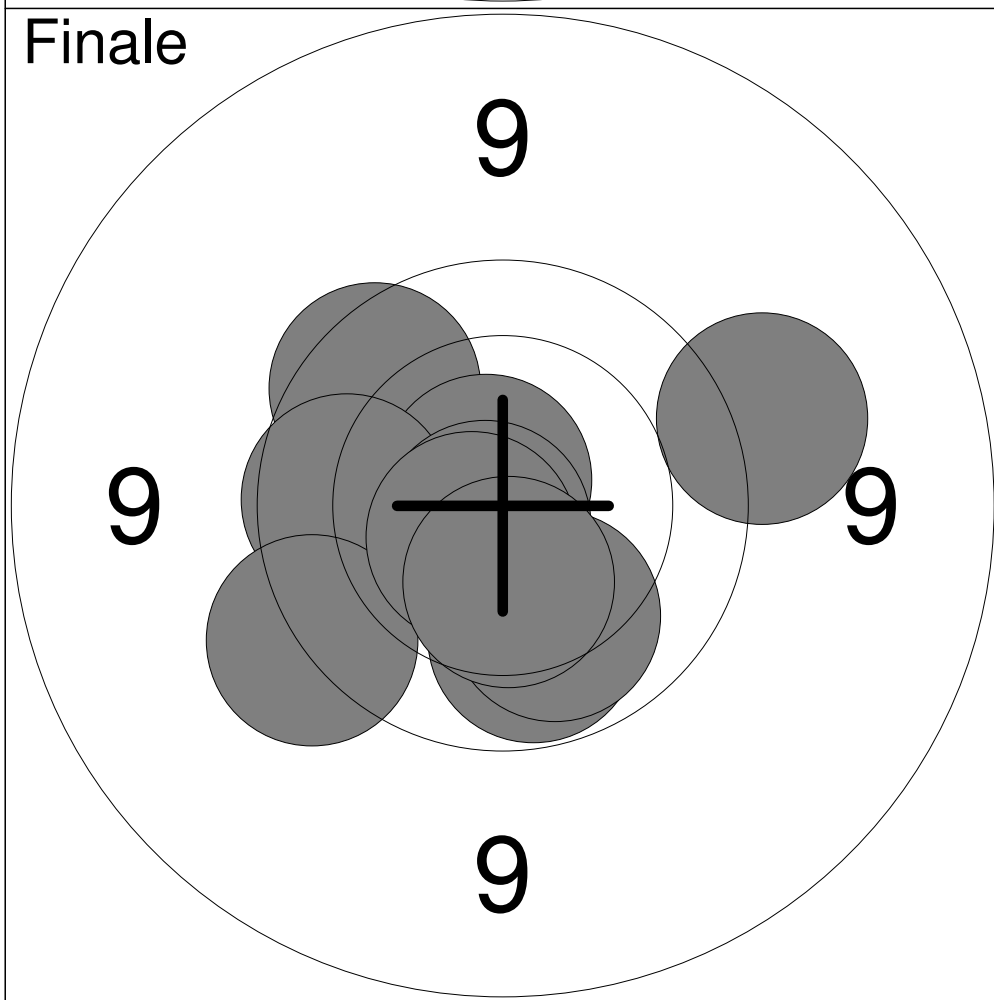
1:	10.2	↖
2:	9.9	↑
3:	10.4	↘
4:	10.3	←
5:	10.5	↗
6:	9.6	↗
7:	10.3	→
8:	10.4	→
9:	9.8	→
10:	10.1	↑
Serie		101.5
Total		485.5

Hold 29	Skive 4	Andy Petersen	
15m	Vester Hassing Skf.	F2S	
26.02.2013	NM Senior 2013	Aalborg Skyttekreds	



1:	9.8	↙
2:	9.8	↓
3:	10.3	←
4:	10.0	↗
5:	9.8	↘
6:	9.3	↙
7:	9.9	↘

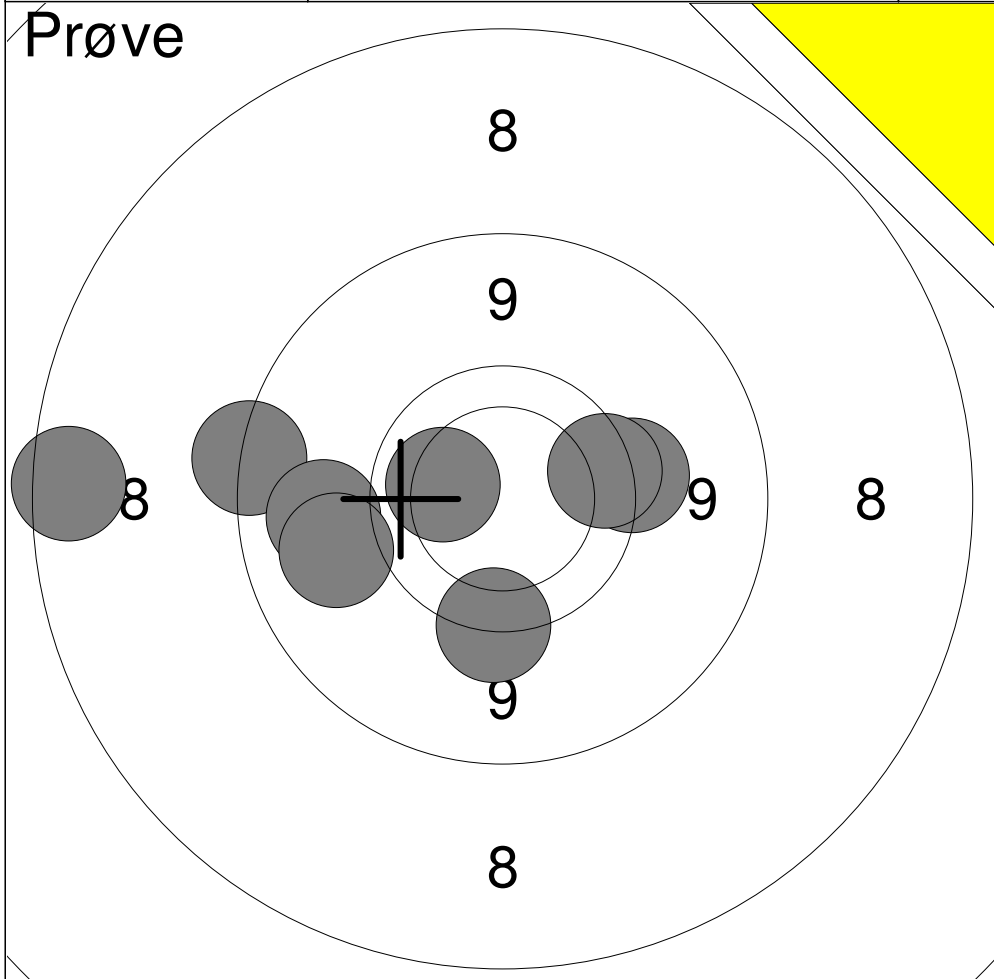
Serie	68.9
Total	381.0



1:	9.4	→
2:	9.8	↗
3:	*10.7	↗
4:	9.9	←
5:	10.0	↓
6:	10.1	↓
7:	9.6	↙
8:	*10.8	↙
9:	*10.6	↙
10:	10.4	↓

Serie	101.3
Total	482.3

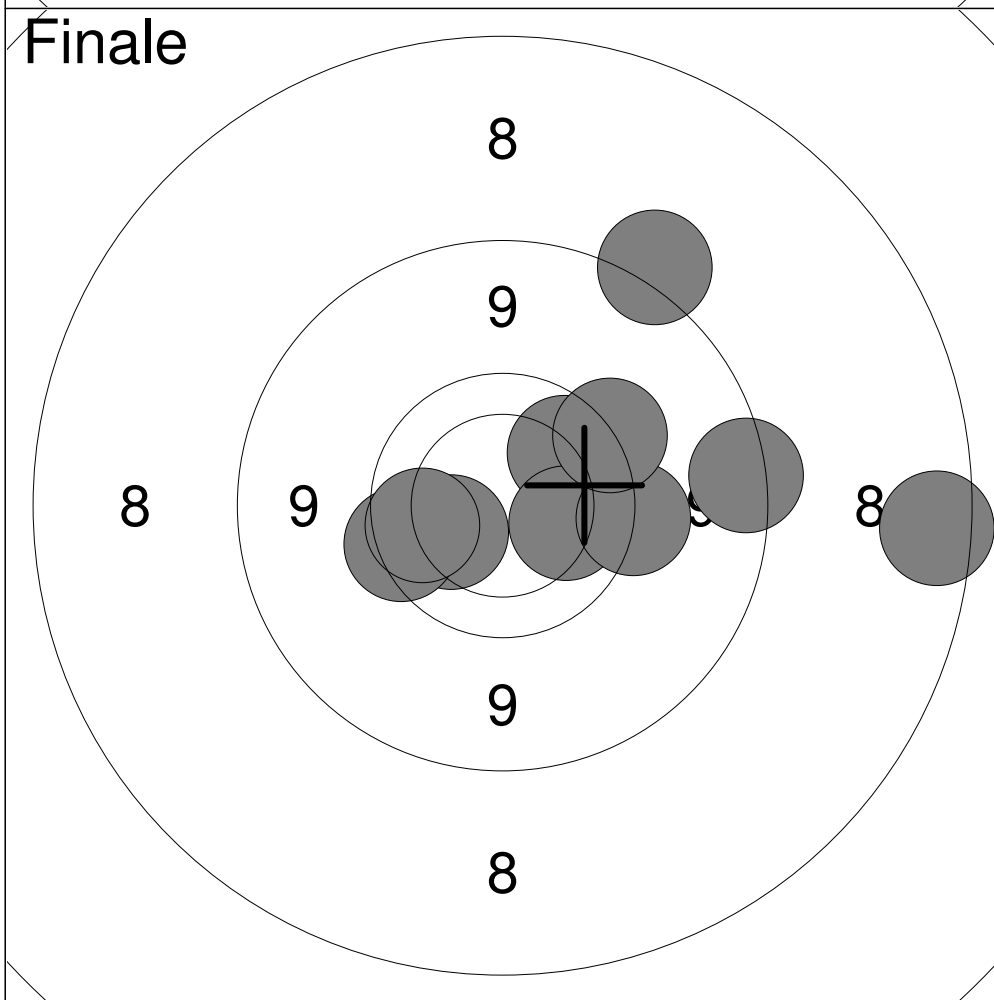
Prøve



1:	8.7	←
2:	10.1	←
3:	9.5	→
4:	9.2	←
5:	9.6	↓
6:	9.7	→
7:	7.8	←
8:	9.2	←

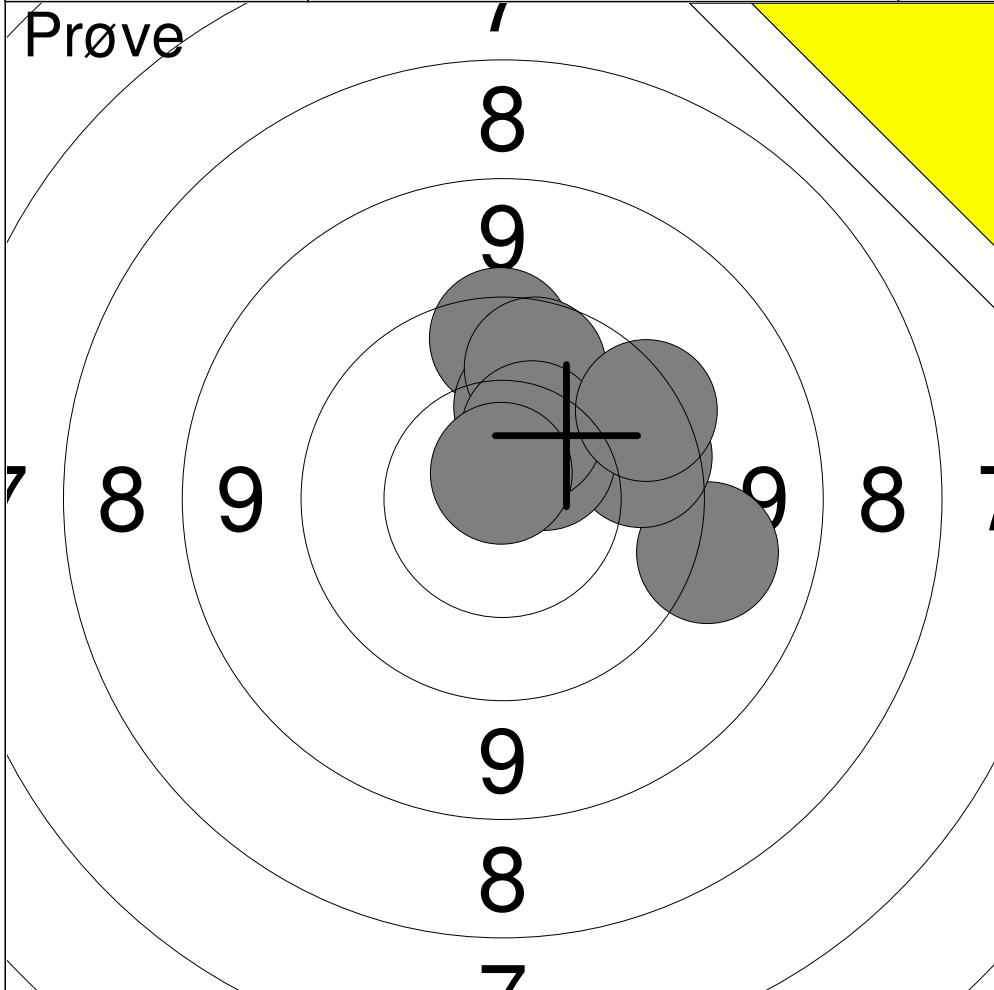
Serie	73.8
Total	370.0

Finale



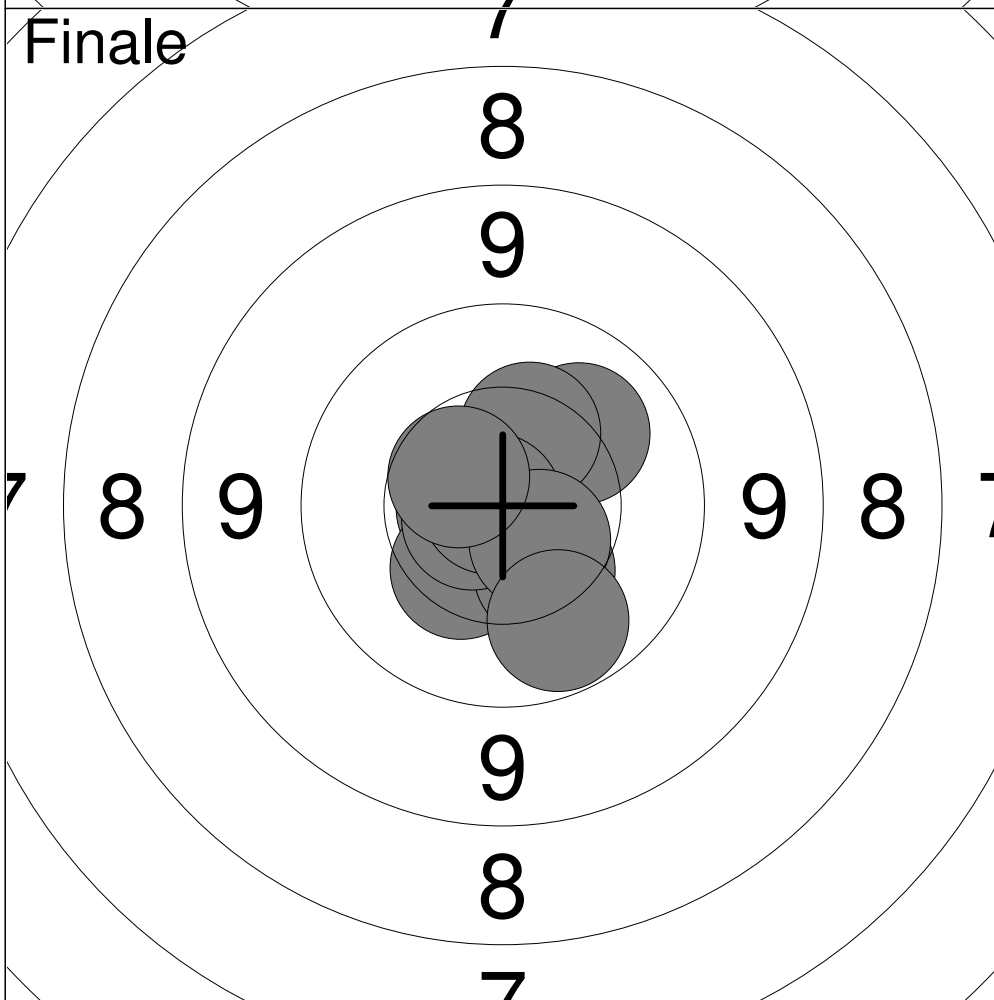
1:	7.8	→
2:	10.2	←
3:	9.9	↗
4:	8.6	↗
5:	9.7	←
6:	10.1	→
7:	9.5	→
8:	9.9	←
9:	9.6	↗
10:	8.8	→

Serie	94.1
Total	464.1



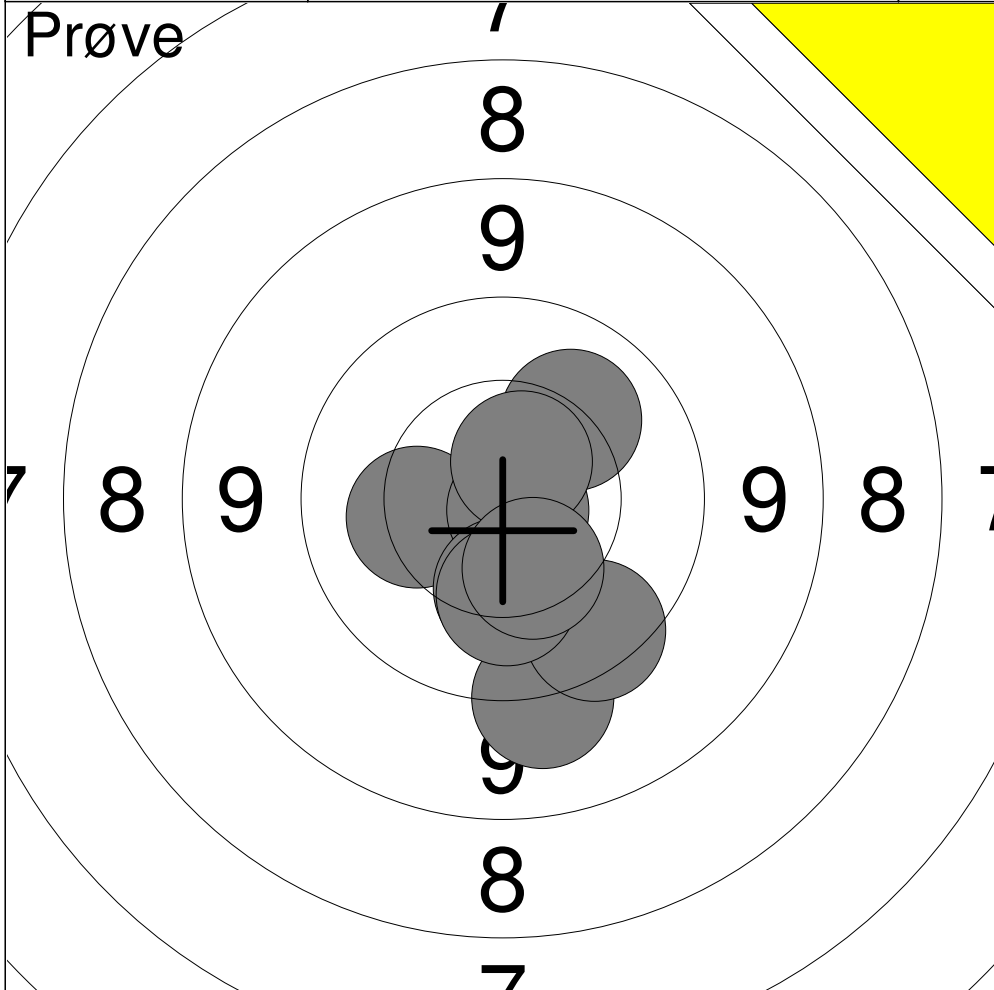
1:	9.3	→
2:	10.2	↗
3:	9.8	→
4:	9.7	↑
5:	10.5	↗
6:	10.2	↑
7:	9.9	↑
8:	10.4	↗
9:	*10.8	↑
10:	9.6	↗

Serie	100.4
Total	399.0



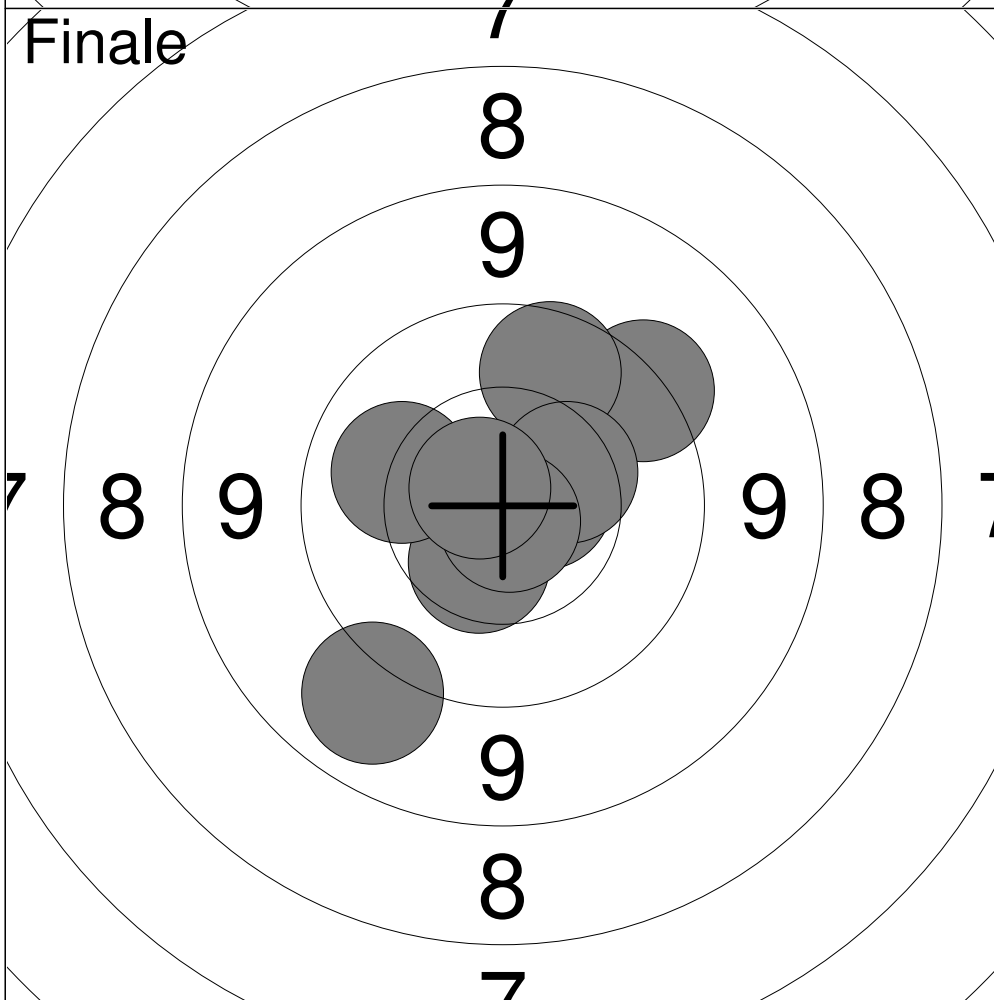
1:	10.1	↗
2:	*10.7	←
3:	10.4	↙
4:	10.4	↗
5:	10.4	↘
6:	*10.7	←
7:	*10.9	←
8:	10.6	↘
9:	10.5	↗
10:	10.0	↘

Serie	104.7
Total	503.7



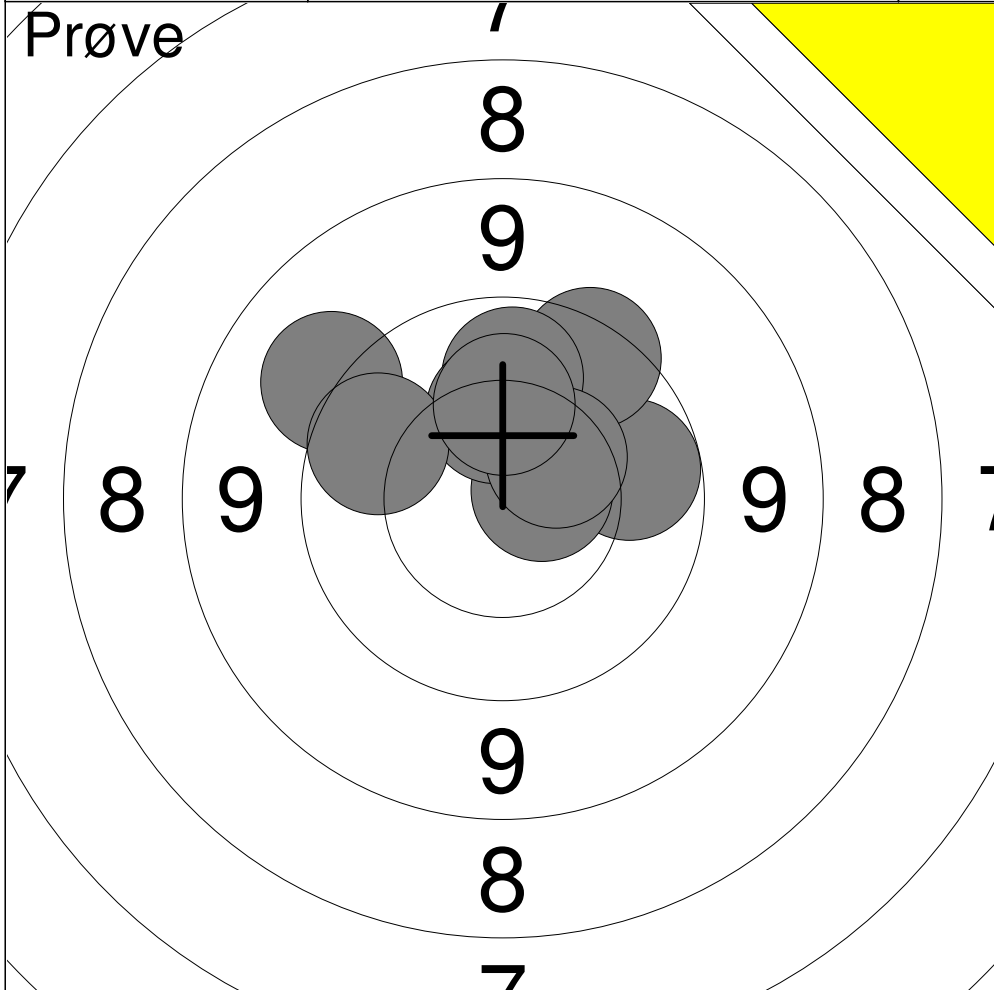
1:	9.3	↓
2:	10.3	←
3:	9.7	↘
4:	*10.8	↘
5:	10.3	↓
6:	10.2	↓
7:	10.2	↗
8:	*10.6	↗
9:	10.4	↓

Serie	91.8
Total	398.0



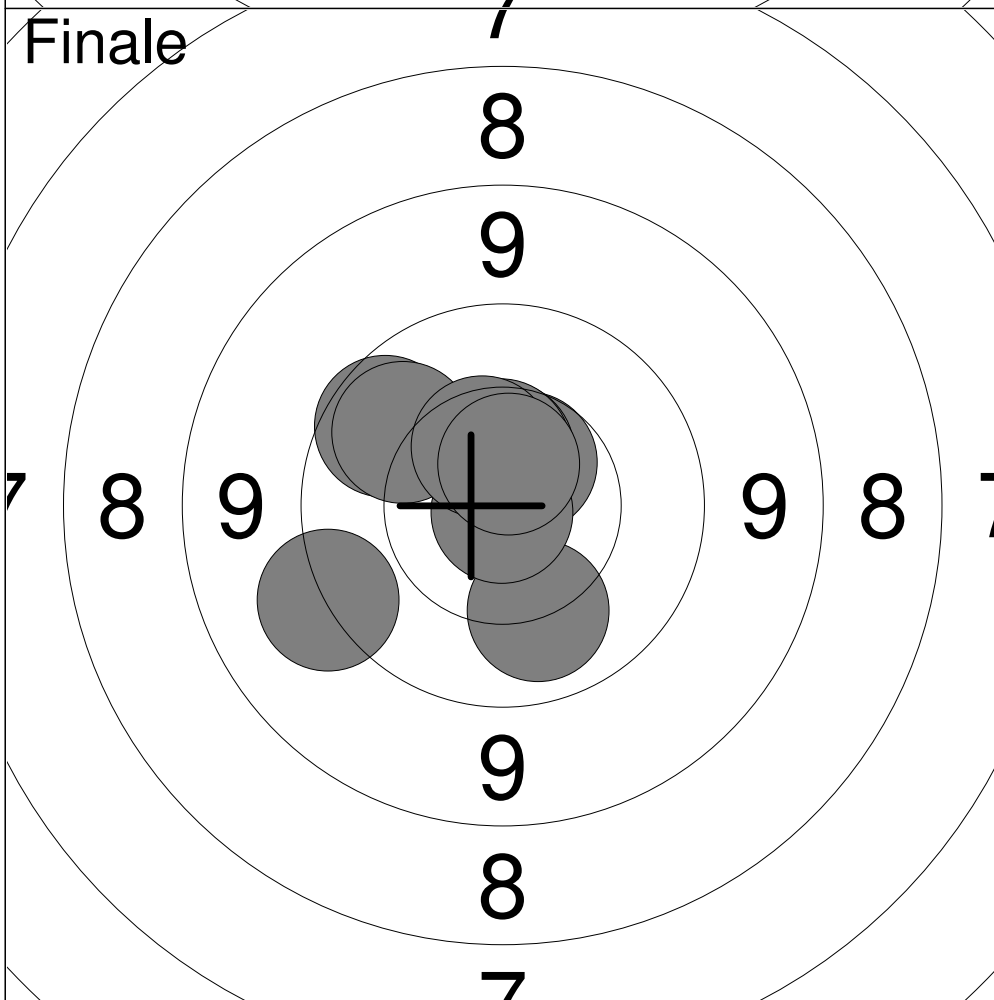
1:	9.5	↗
2:	9.1	↙
3:	9.9	↗
4:	*10.6	→
5:	*10.7	↙
6:	10.4	↗
7:	10.5	↙
8:	10.1	←
9:	*10.8	↓
10:	*10.7	↗

Serie	102.3
Total	500.3



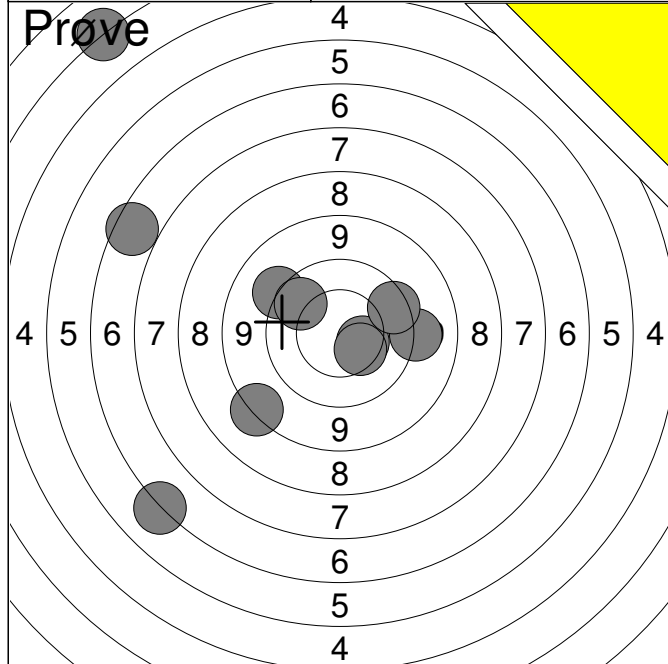
1:	10.0	→
2:	9.7	↗
3:	9.3	↖
4:	*10.6	→
5:	10.0	↑
6:	10.3	↑
7:	10.4	↗
8:	9.9	↖
9:	10.2	↑

Serie	90.4
Total	398.0

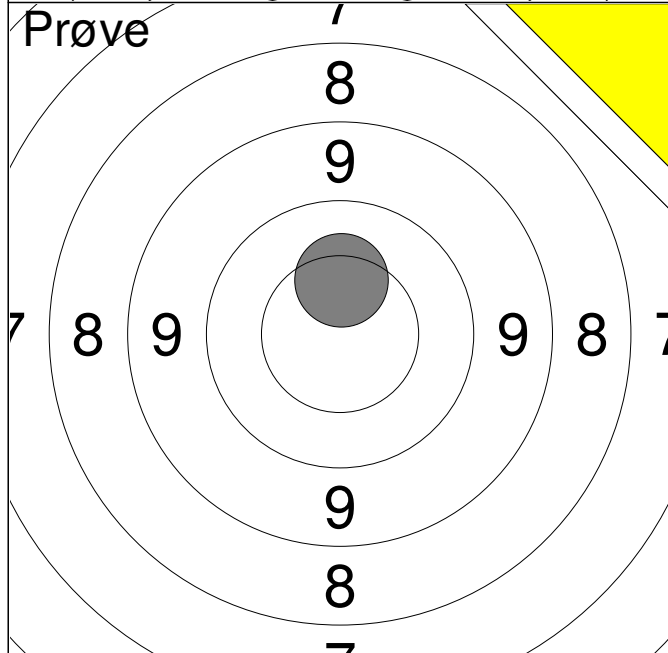


1:	10.6	↗
2:	9.9	↖
3:	10.5	↑
4:	10.1	↓
5:	10.0	↖
6:	*10.9	↓
7:	10.5	↑
8:	10.5	↑
9:	9.4	↖
10:	*10.6	↑

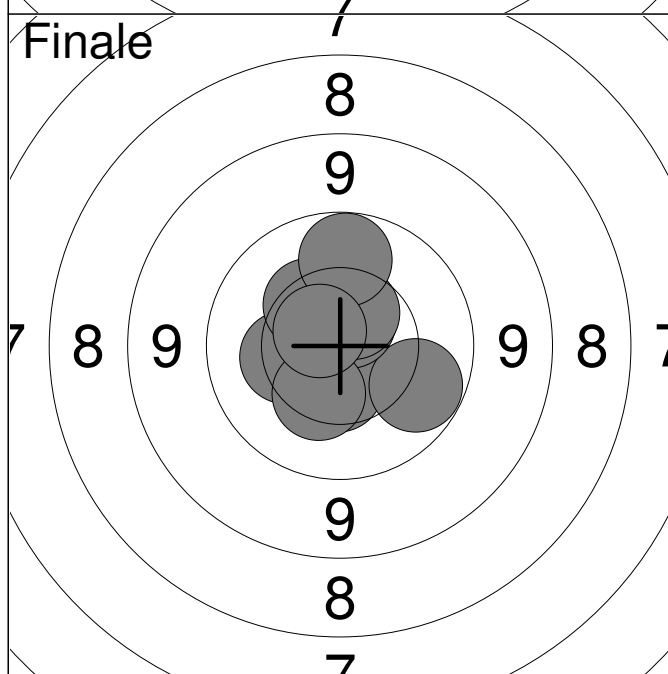
Serie	103.0
Total	501.0



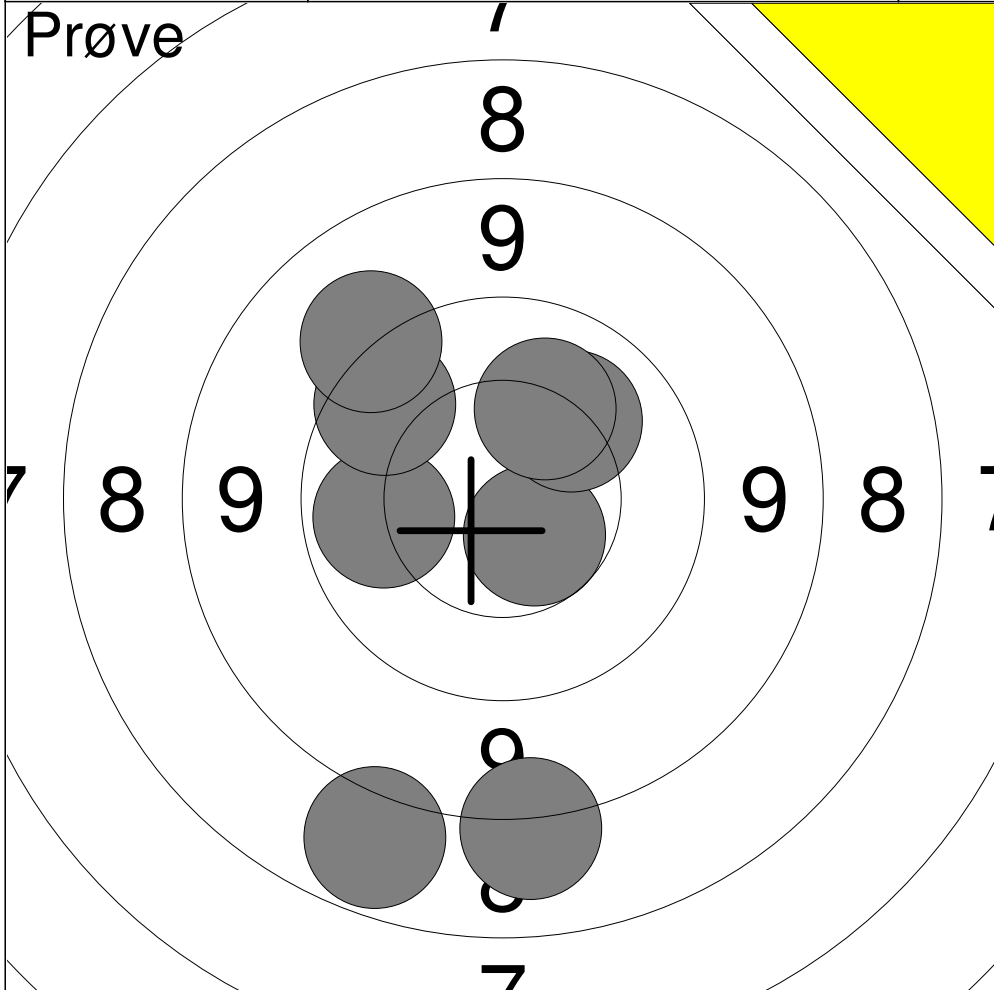
1:	2.4	↗
2:	5.7	↗
3:	5.3	↘
4:	8.5	↘
5:	9.4	↗
6:	10.4	↘
7:	9.9	↗
8:	10.4	↘
9:	9.3	→
10:	9.7	↗
Serie		81.0
Total		398.0



11:	10.3	↑
Serie		10.3
Total		398.0

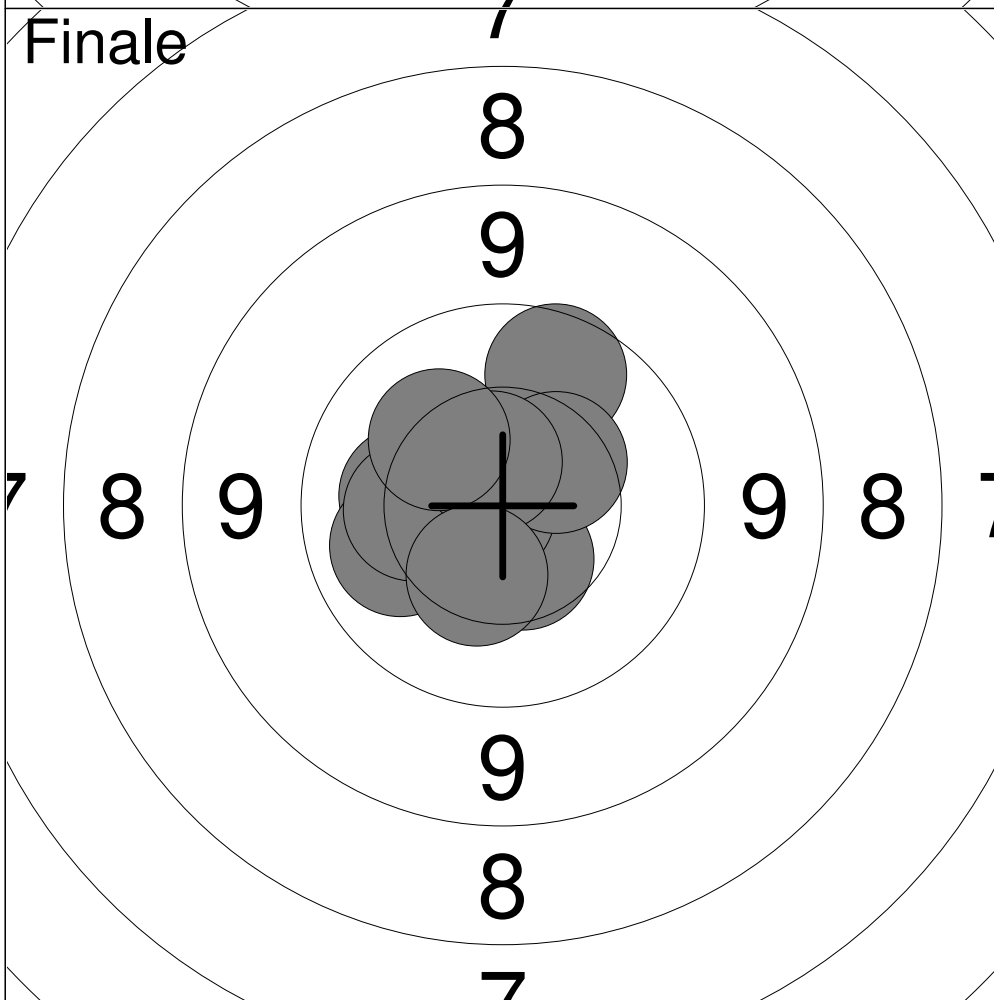


1:	10.3	←
2:	10.5	↓
3:	10.5	↑
4:	10.4	↗
5:	10.0	↘
6:	*10.7	↗
7:	10.3	↘
8:	10.5	↗
9:	10.0	↑
10:	*10.7	↖
Serie		103.9
Total		501.9



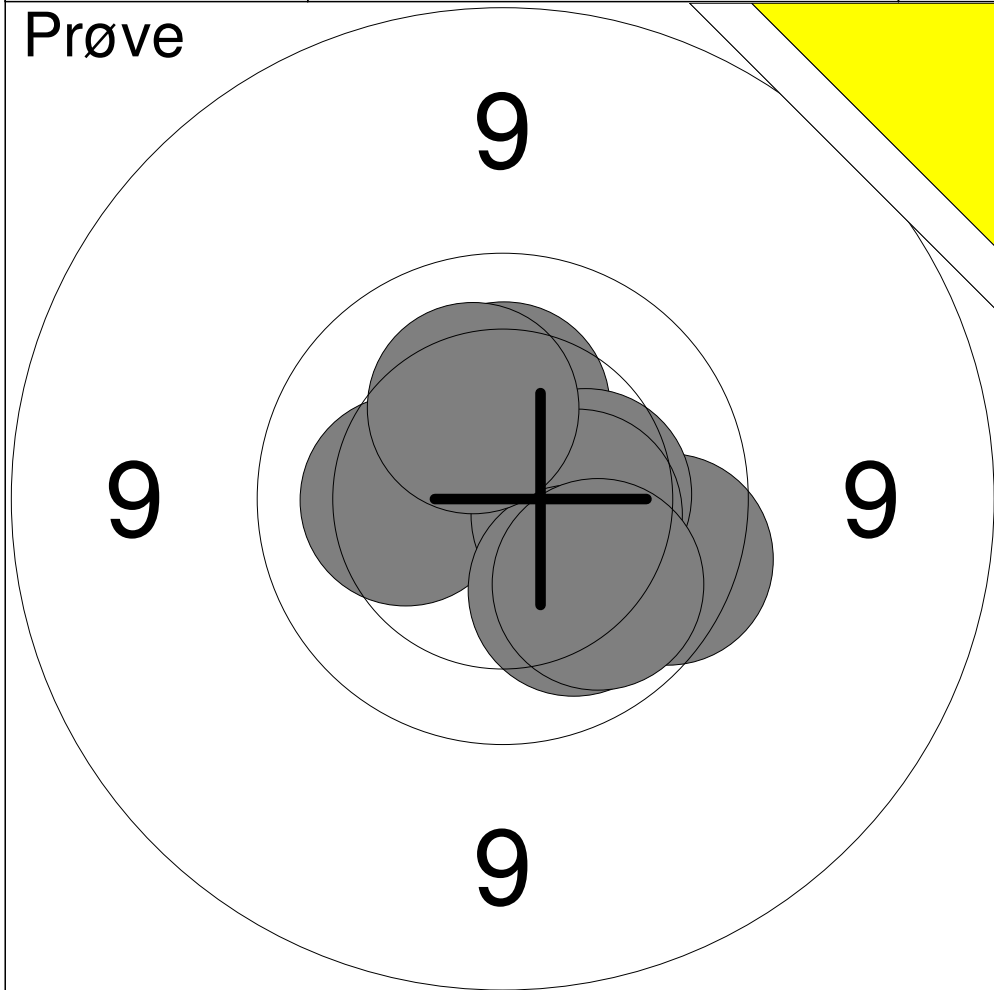
1:	8.0	↘
2:	8.3	↘
3:	10.0	←
4:	9.8	↗
5:	10.6	↘
6:	10.2	↗
7:	10.2	↗
8:	9.3	↗

Serie	76.4
Total	398.0

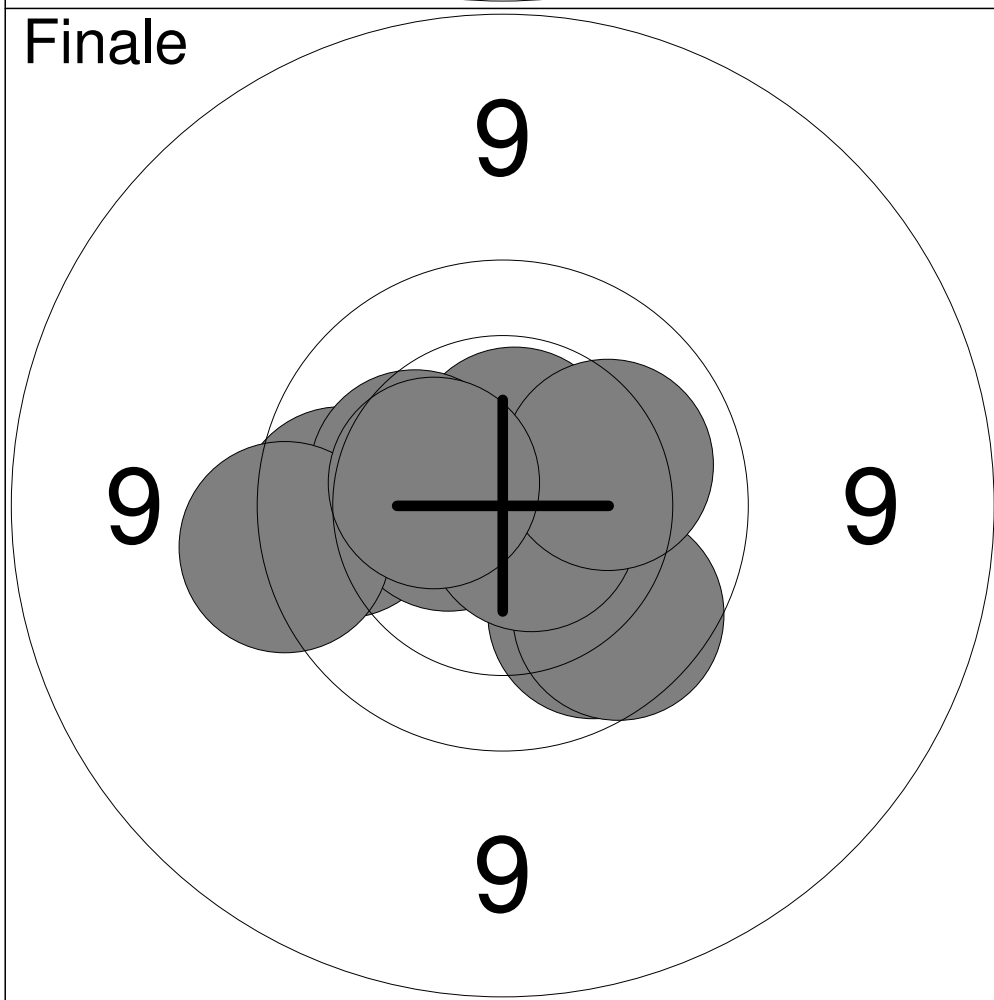


1:	10.2	←
2:	10.1	←
3:	9.9	↗
4:	10.5	↘
5:	*10.8	←
6:	10.3	←
7:	10.4	↗
8:	*10.6	↗
9:	10.2	↗
10:	10.4	↘

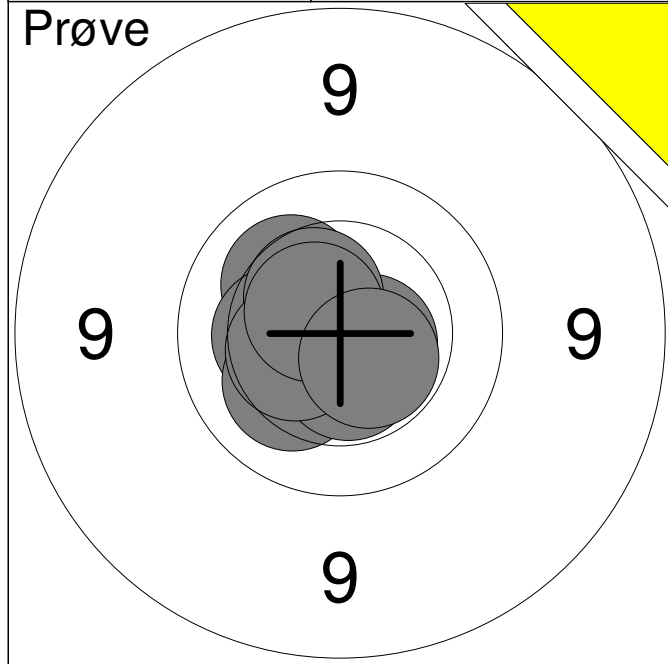
Serie	103.4
Total	501.4



1:	9.8	→
2:	*10.6	↑
3:	*10.6	↑
4:	10.3	↑
5:	10.3	←
6:	10.4	→
7:	10.4	→
8:	10.1	↘
9:	10.0	↘
10:	10.3	↑
Serie		102.8
Total		400.0

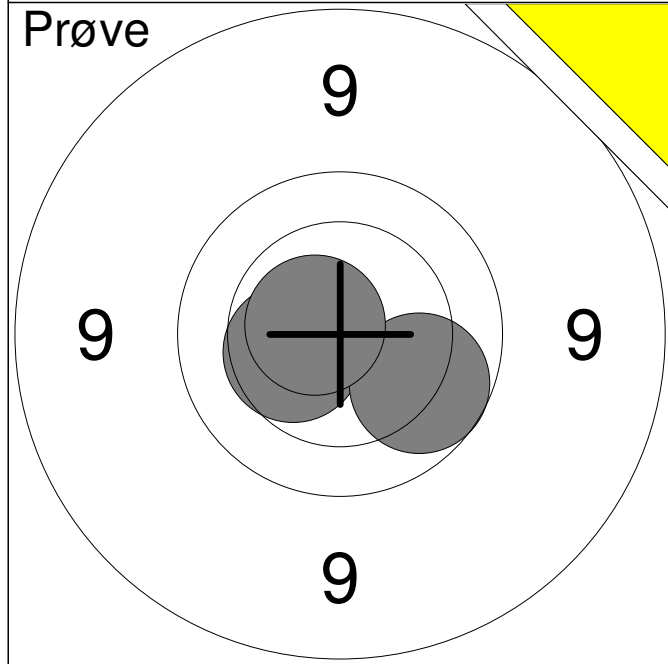


1:	9.9	←
2:	*10.6	←
3:	*10.6	↑
4:	10.3	←
5:	9.9	↘
6:	9.9	↘
7:	9.6	←
8:	*10.7	↘
9:	10.1	→
10:	10.4	←
Serie		102.0
Total		502.0



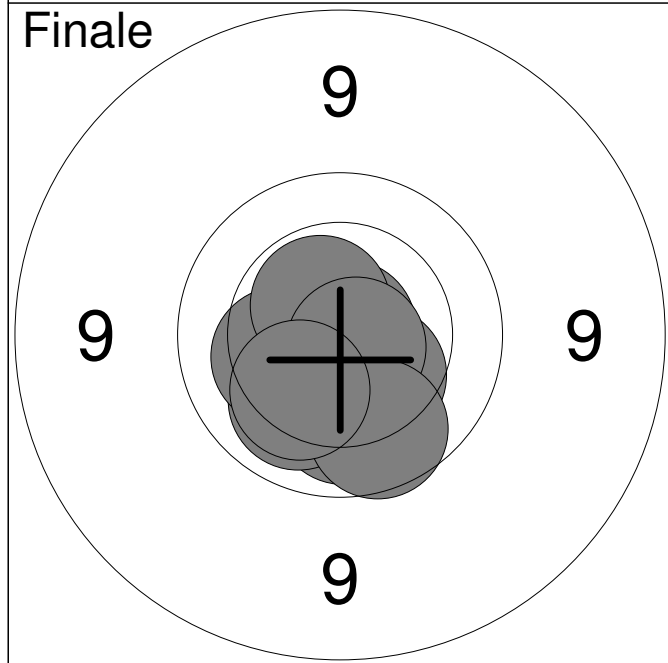
1:	10.2	↗
2:	*10.7	↘
3:	10.3	←
4:	*10.6	↘
5:	10.2	↙
6:	*10.5	↘
7:	10.5	↗
8:	10.4	←
9:	*10.6	↗
10:	*10.5	↘

Serie	104.5
Total	399.0



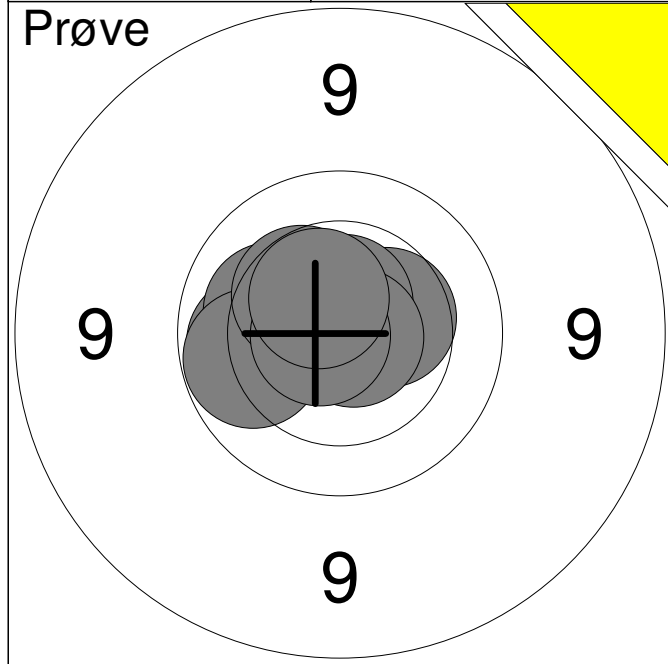
11:	10.4	←
12:	9.9	↘
13:	*10.7	↗

Serie	31.0
Total	399.0

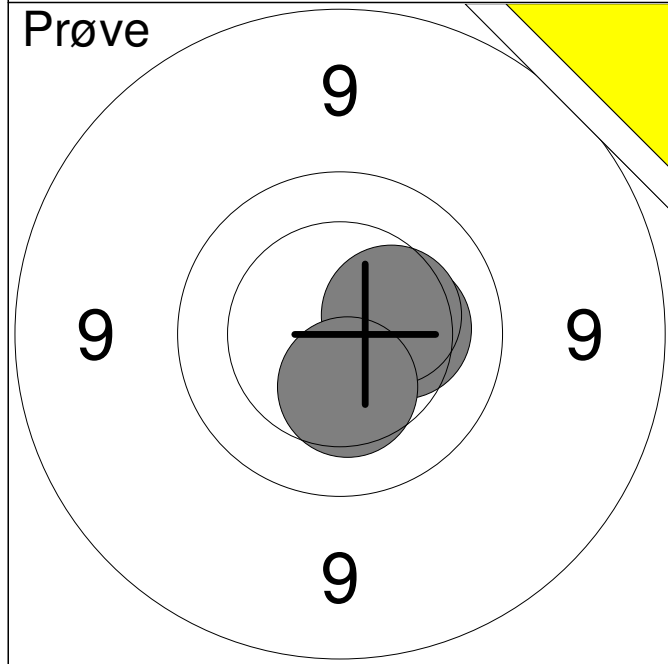


1:	*10.6	↓
2:	10.1	↓
3:	10.1	↙
4:	10.3	←
5:	10.4	↘
6:	*10.9	↗
7:	*10.6	↗
8:	*10.7	↘
9:	9.9	↘
10:	10.2	↙

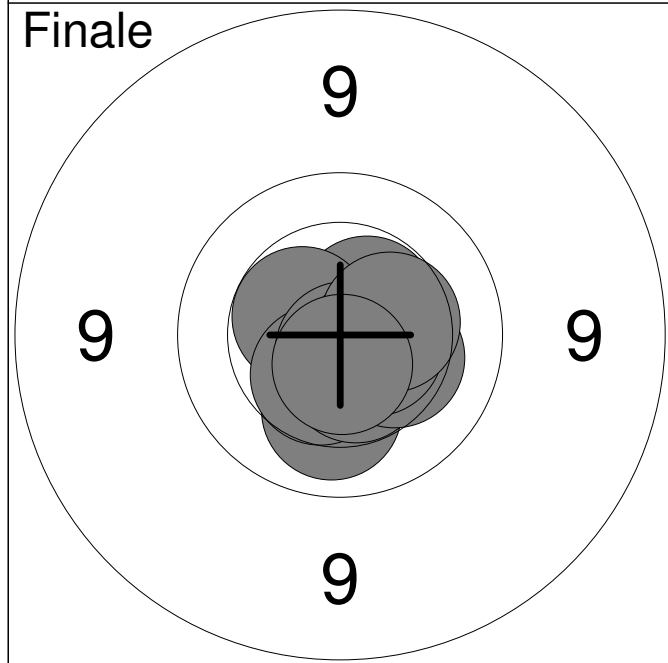
Serie	103.8
Total	502.8



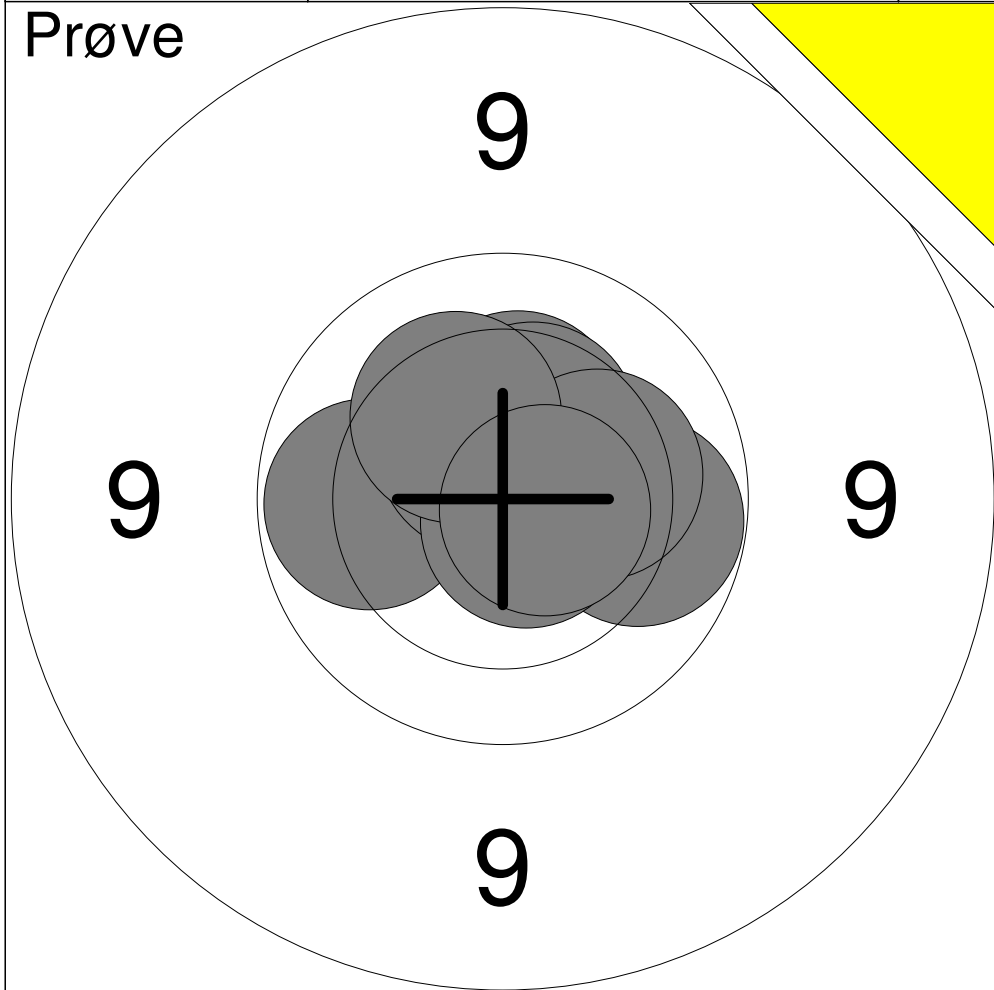
1:	10.4	→
2:	*10.6	↑
3:	*10.6	↑
4:	10.0	←
5:	10.2	←
6:	10.0	←
7:	*10.8	→
8:	10.4	↗
9:	*10.7	←
10:	*10.5	↖
Serie		104.2
Total		399.0



11:	10.3	→
12:	10.4	→
13:	10.4	↓
Serie		31.1
Total		399.0

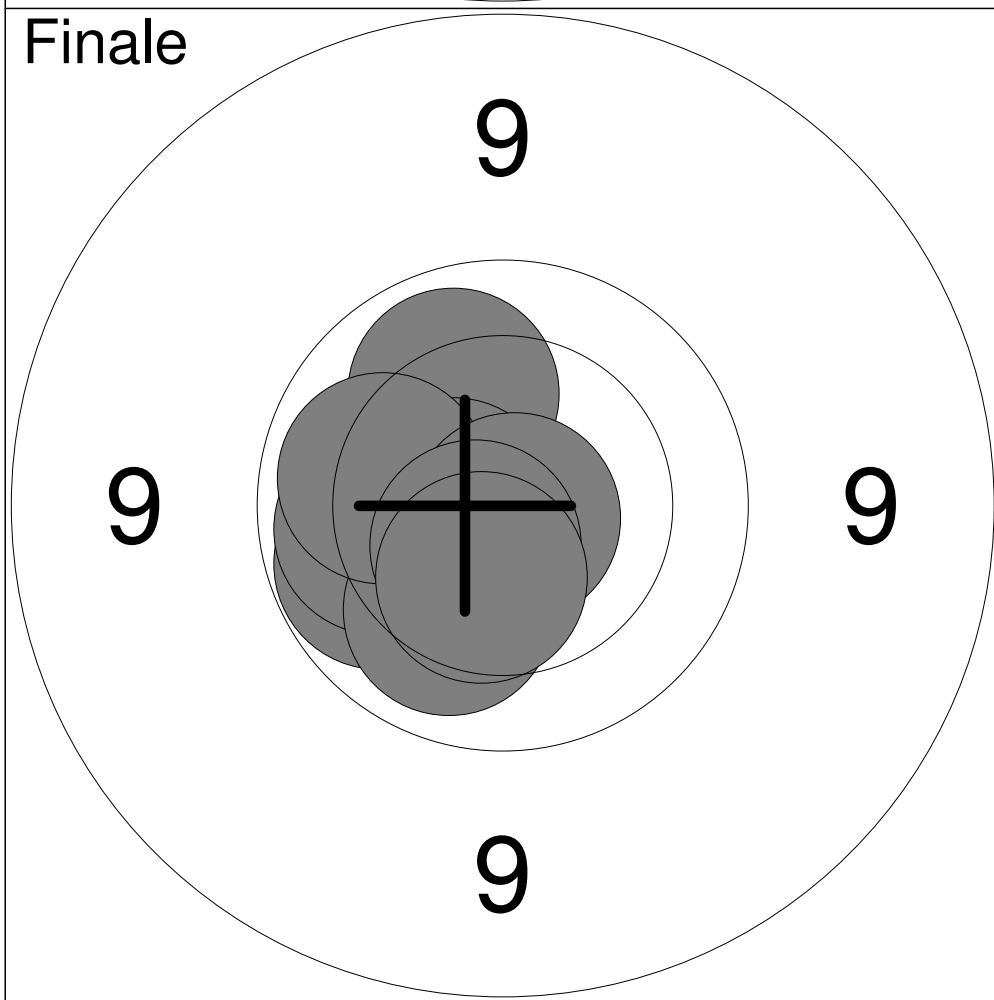


1:	10.1	↓
2:	*10.5	↗
3:	*10.5	←
4:	10.5	↙
5:	*10.8	↓
6:	*10.5	↓
7:	10.3	→
8:	*10.6	→
9:	10.4	→
10:	*10.6	↓
Serie		104.8
Total		503.8



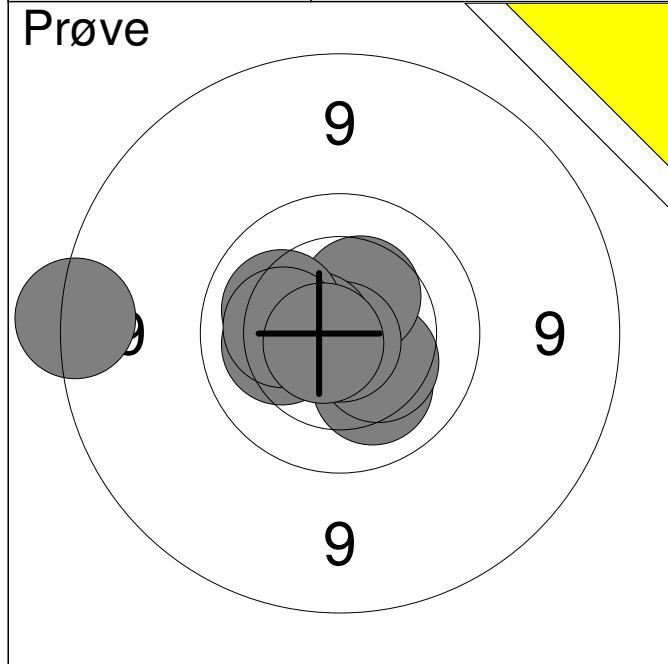
1:	10.0	→
2:	10.0	←
3:	*10.6	↗
4:	*10.7	↘
5:	10.4	↗
6:	10.4	↗
7:	10.3	→
8:	10.3	↗
9:	*10.6	→

Serie	93.3
Total	399.0

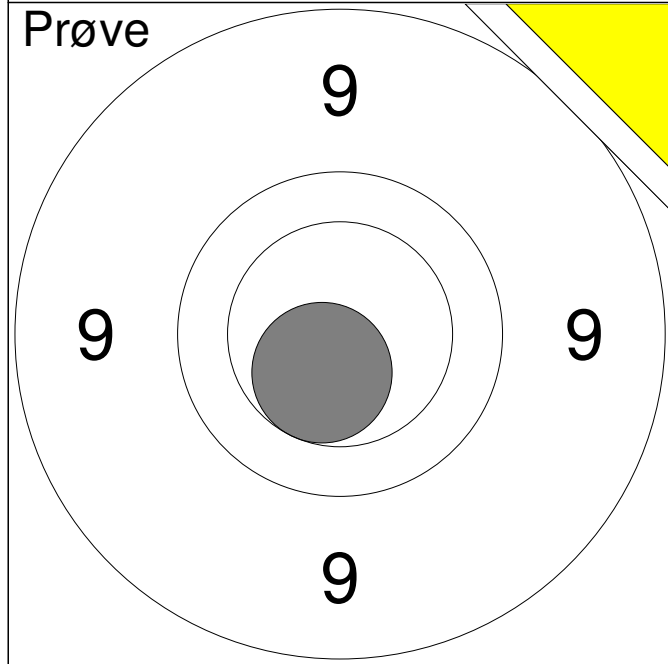


1:	10.0	←
2:	10.1	←
3:	10.1	↗
4:	*10.6	←
5:	*10.6	←
6:	10.1	↘
7:	10.1	←
8:	*10.8	↘
9:	*10.6	↘
10:	10.4	↘

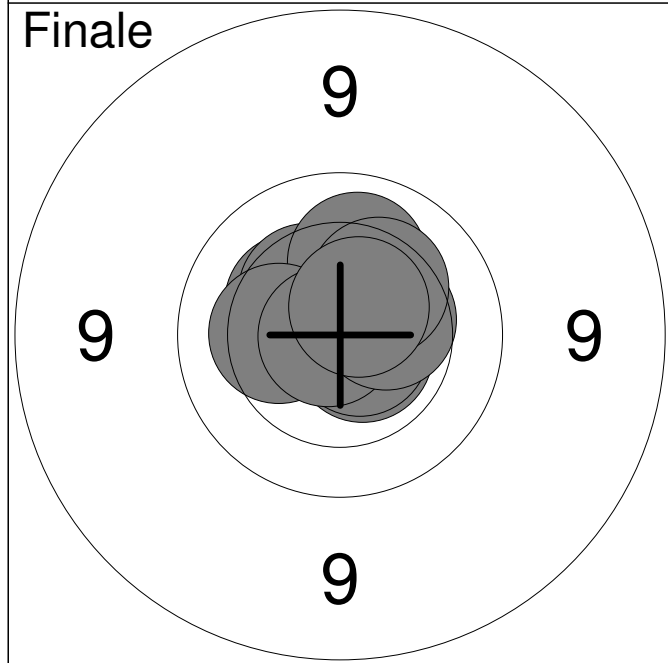
Serie	103.4
Total	502.4



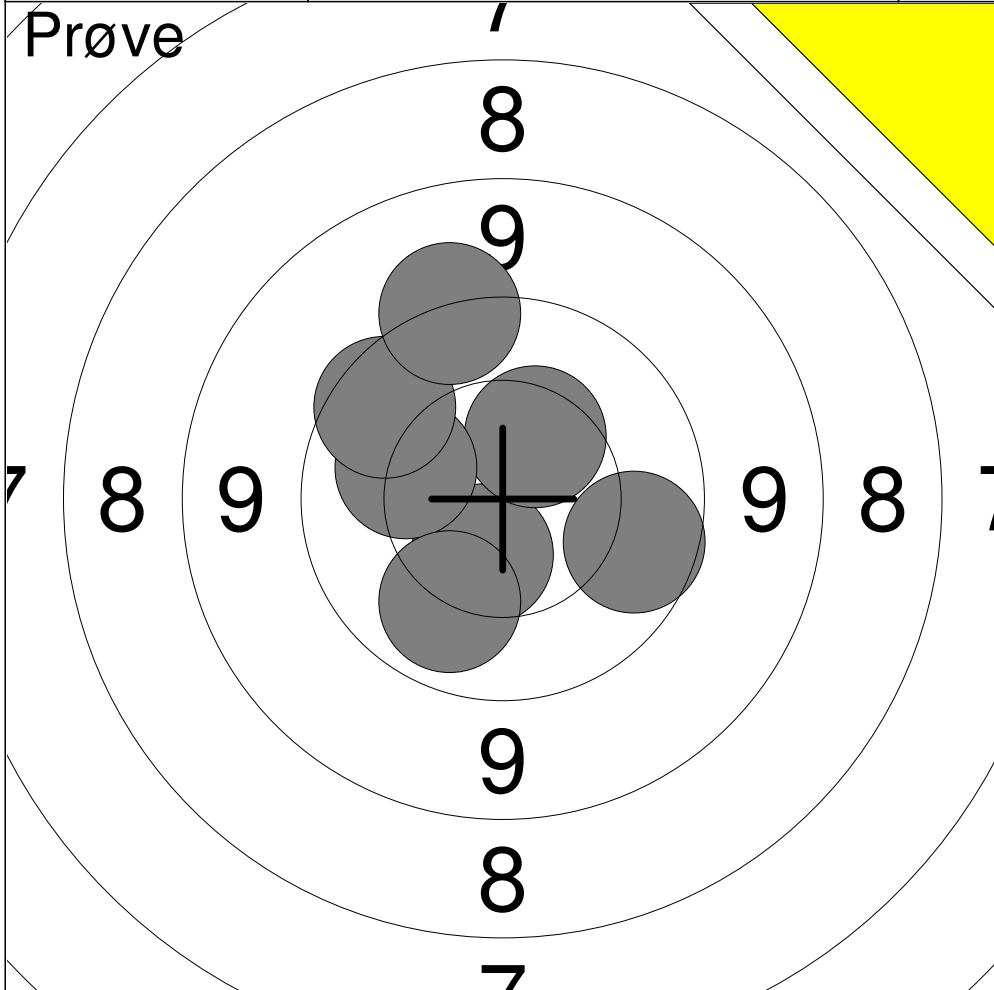
1:	10.2	↘
2:	10.3	↘
3:	10.4	↗
4:	*10.8	↘
5:	*10.6	←
6:	10.2	↖
7:	8.7	←
8:	10.2	←
9:	10.2	←
10:	*10.7	↙
Serie		102.3
Total		399.0



11:	*10.5	↘
Serie		10.5
Total		399.0

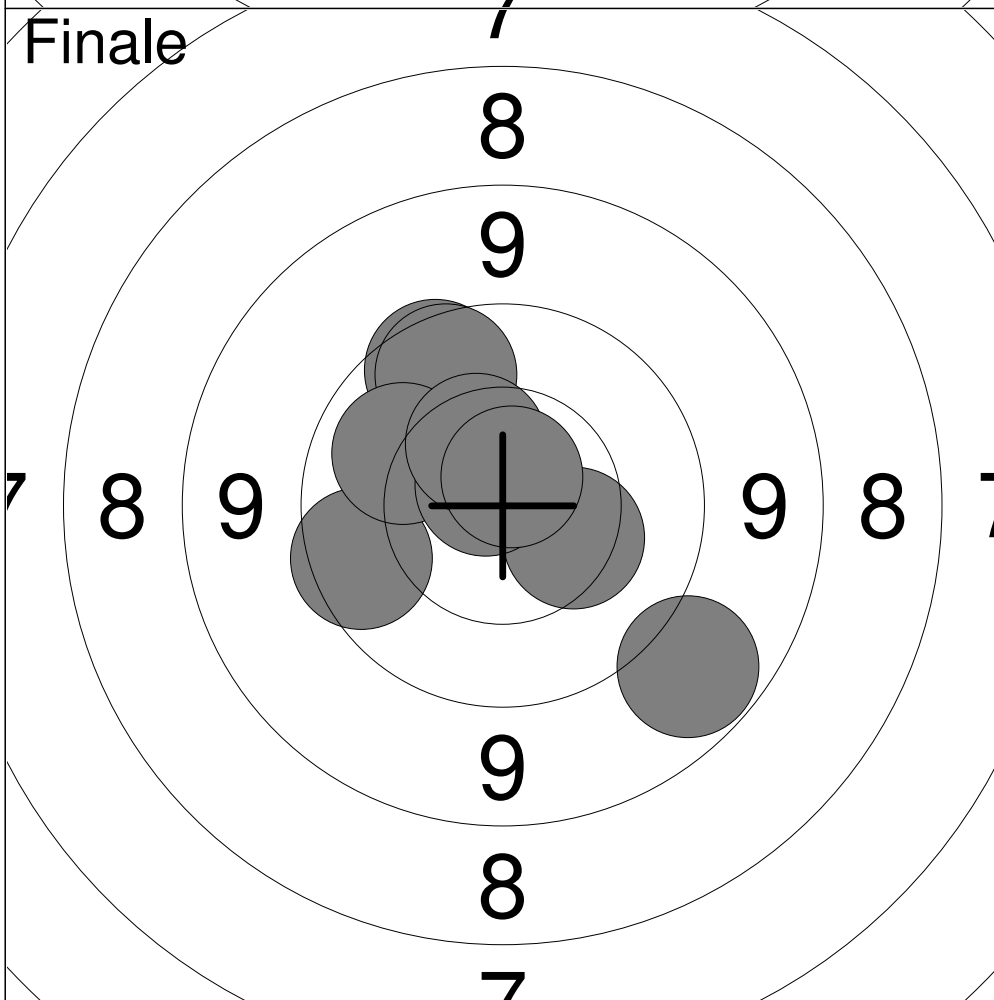


1:	*10.6	↘
2:	10.4	↗
3:	10.4	↗
4:	10.1	↗
5:	10.3	←
6:	*10.7	↘
7:	*10.8	←
8:	10.4	→
9:	10.3	↗
10:	*10.6	↗
Serie		104.6
Total		503.6



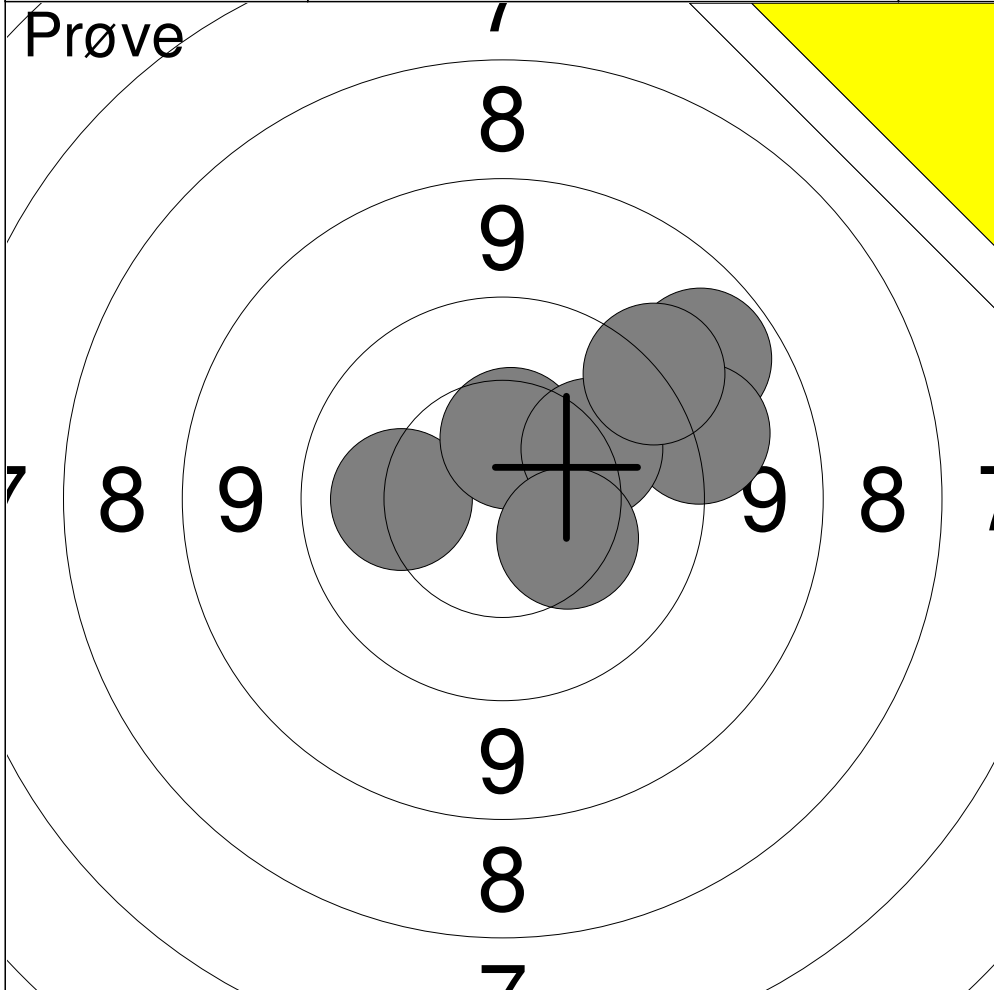
1:	10.5	↘
2:	10.4	↗
3:	9.9	↘
4:	10.2	↖
5:	9.8	↗
6:	9.4	↗
7:	10.1	↘

Serie	70.3
Total	389.0



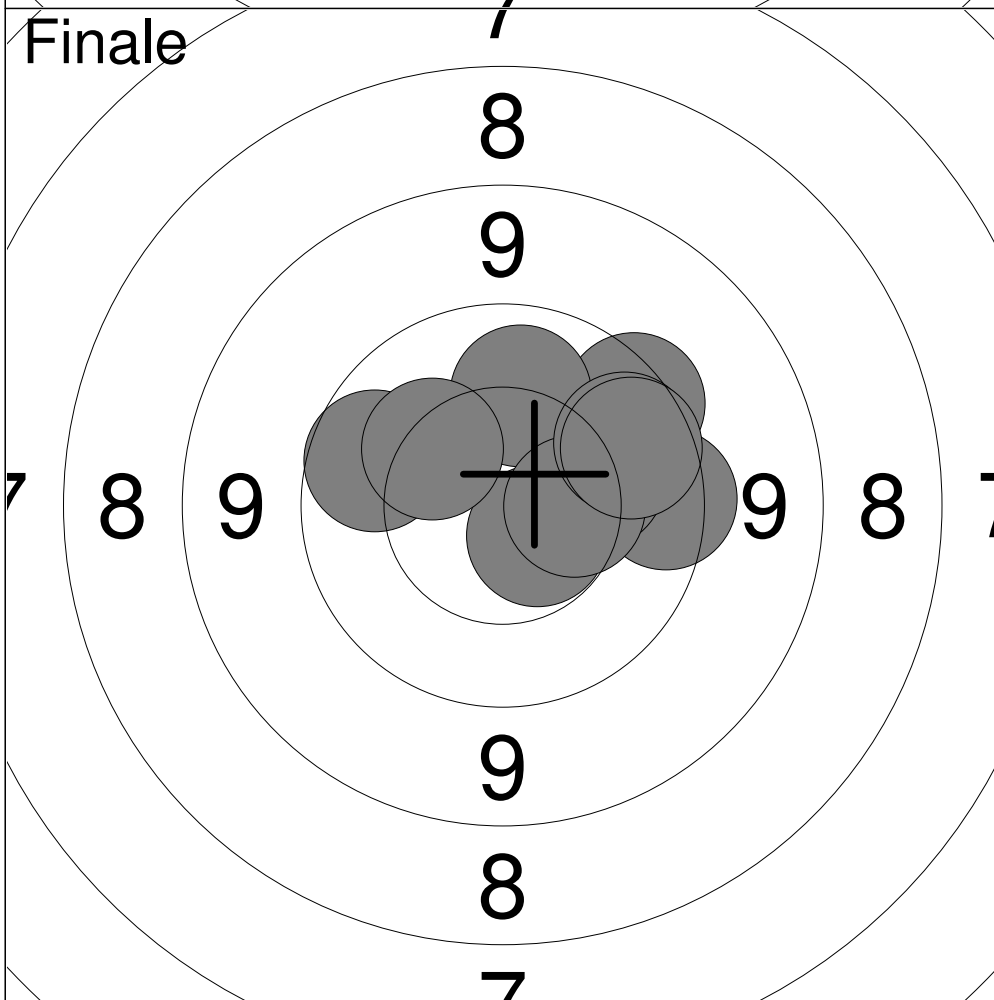
1:	9.0	↘
2:	9.8	↗
3:	9.8	↗
4:	10.4	↗
5:	9.8	↖
6:	10.1	↗
7:	10.4	↘
8:	*10.7	↗
9:	10.4	↗
10:	*10.7	↗

Serie	101.1
Total	490.1



1:	10.2	←
2:	9.0	↗
3:	10.5	↑
4:	9.3	→
5:	10.2	↗
6:	10.4	↘
7:	9.4	↗

Serie	69.0
Total	385.0



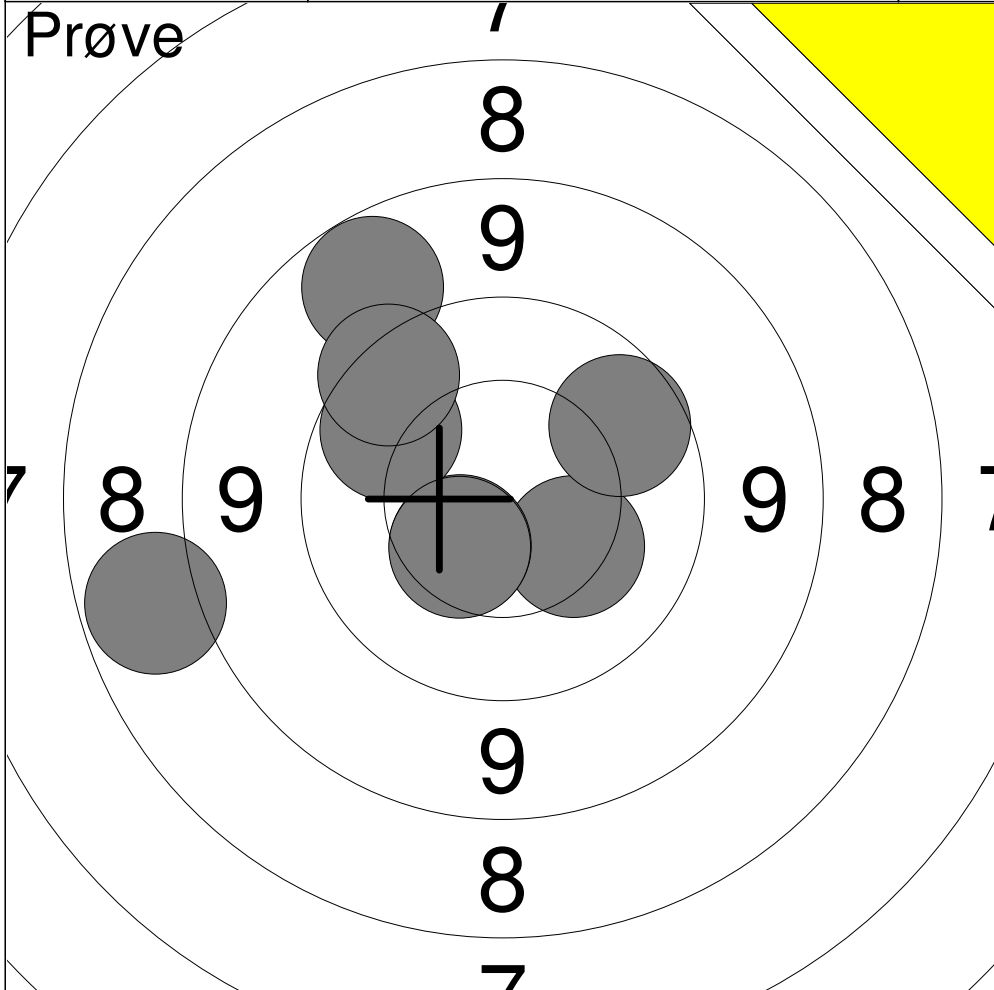
1:	9.7	↗
2:	9.7	→
3:	*10.6	↘
4:	10.2	→
5:	9.9	←
6:	10.1	↑
7:	10.4	→
8:	9.9	↗
9:	10.3	↖
10:	9.9	↗

Serie	100.7
Total	485.7

Hold 30	Skive 11	Stefan Olsen
-------------------	--------------------	---------------------

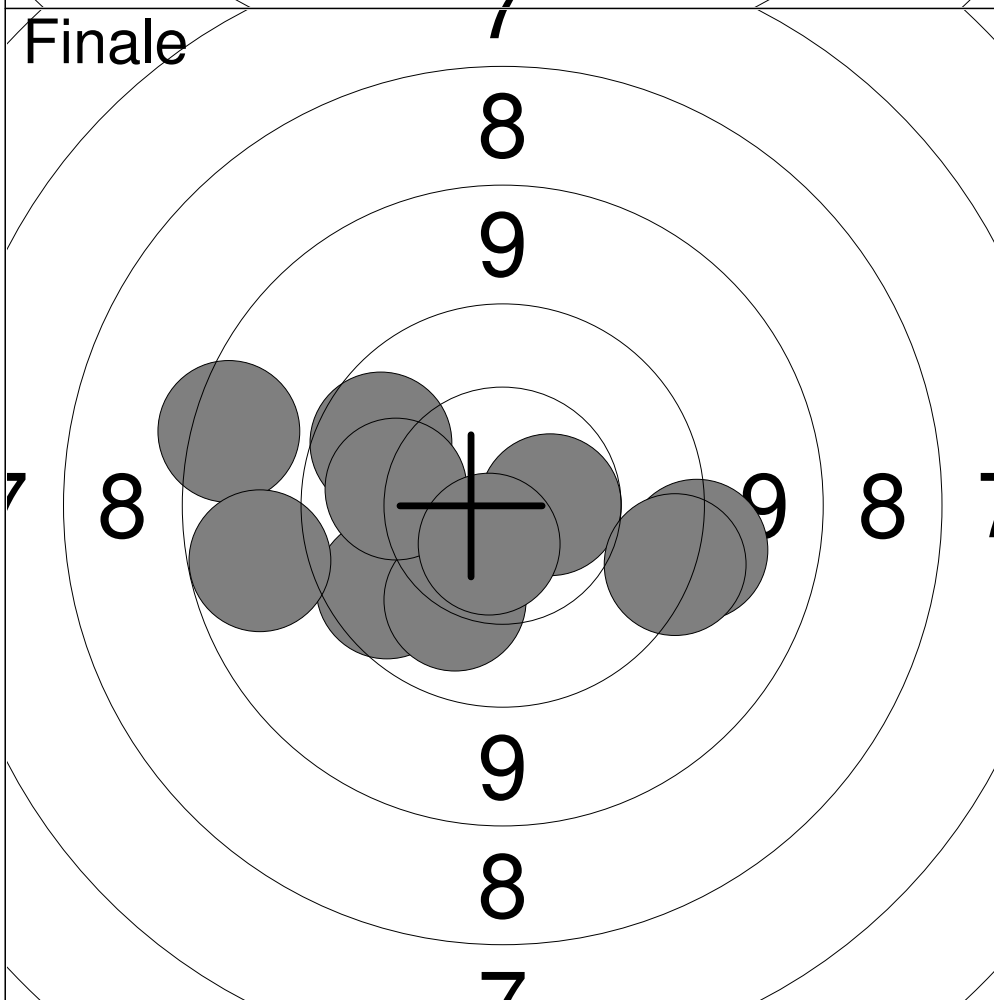
15m	Aalborg Skyttekreds	FLS
-----	---------------------	-----

26.02.2013	NM Senior 2013	Aalborg Skyttekreds
------------	----------------	---------------------



1:	9.0	↗
2:	10.3	↘
3:	10.5	↙
4:	9.9	↗
5:	9.6	↗
6:	9.9	↗
7:	10.5	↙
8:	8.0	↖

Serie	77.7
Total	382.0



1:	10.6	→
2:	9.9	↖
3:	9.9	↙
4:	10.1	↘
5:	8.7	↖
6:	9.0	↖
7:	9.4	→
8:	10.1	↖
9:	9.5	→
10:	*10.6	↘

Serie	97.8
Total	479.8